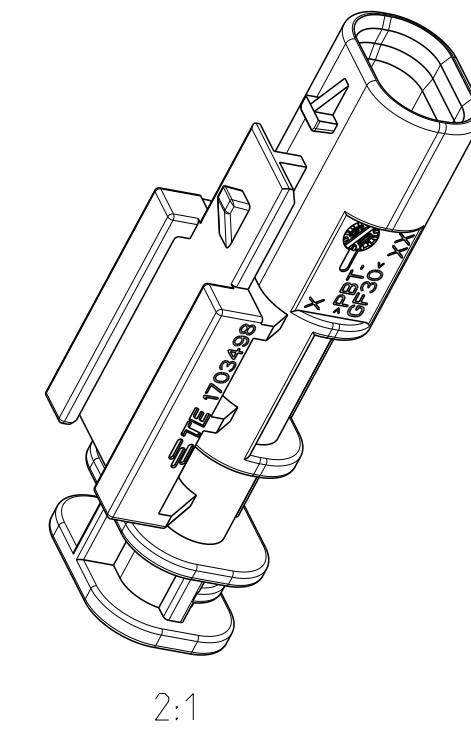
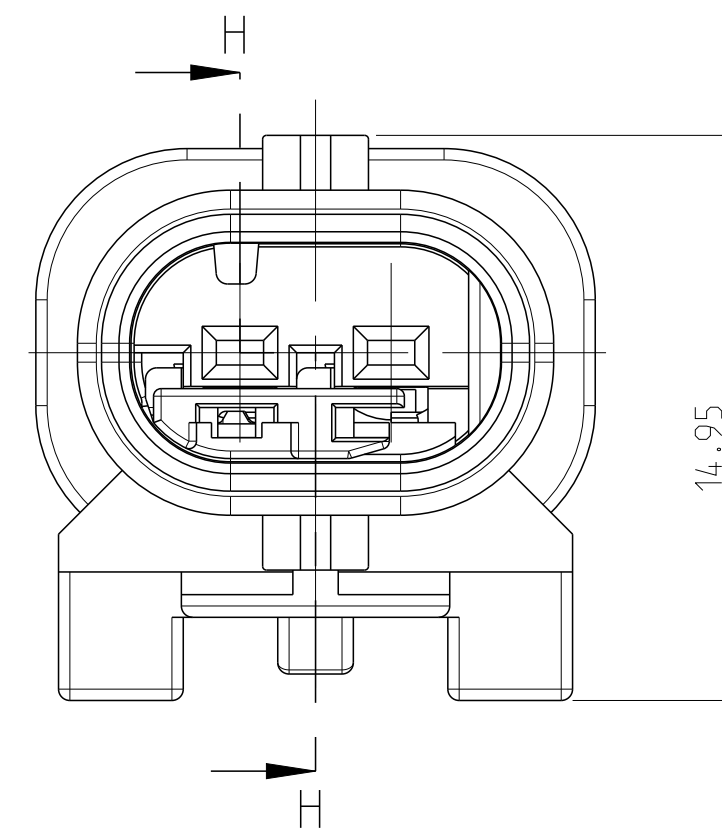
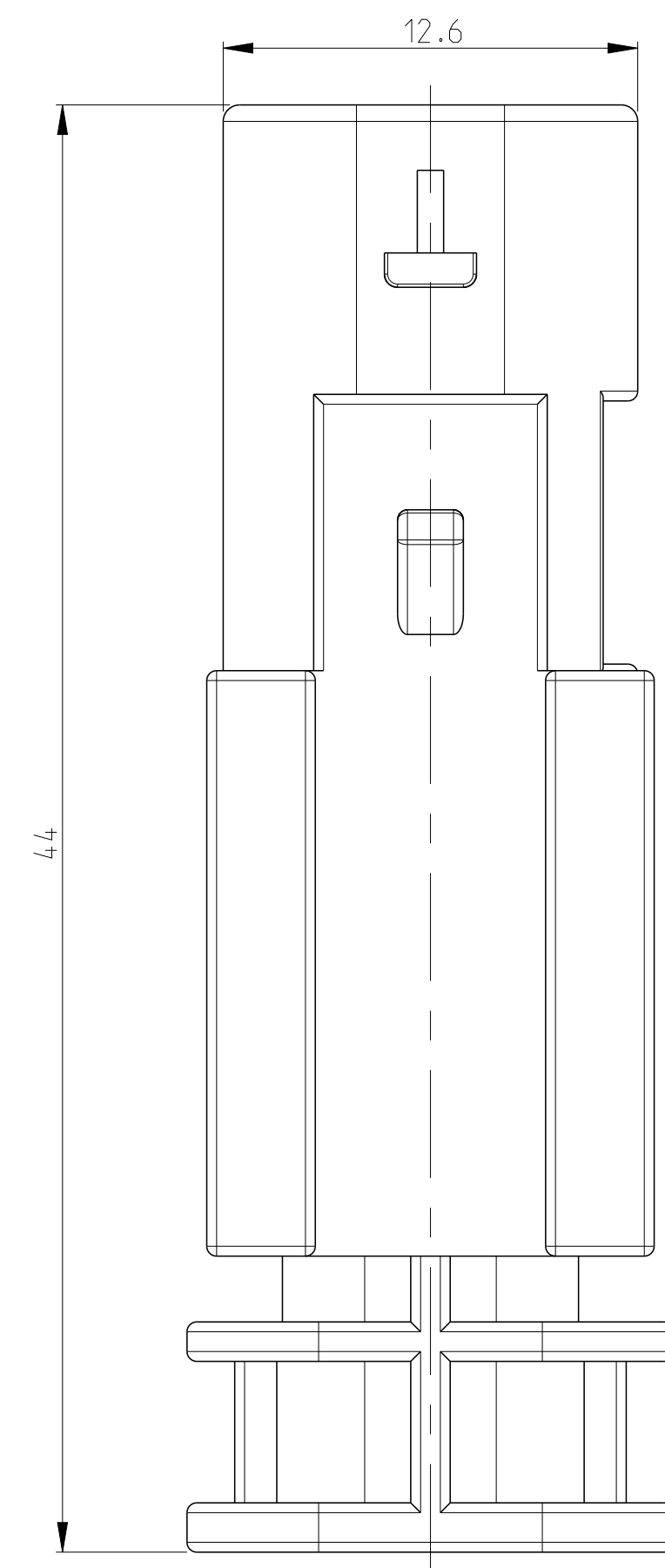
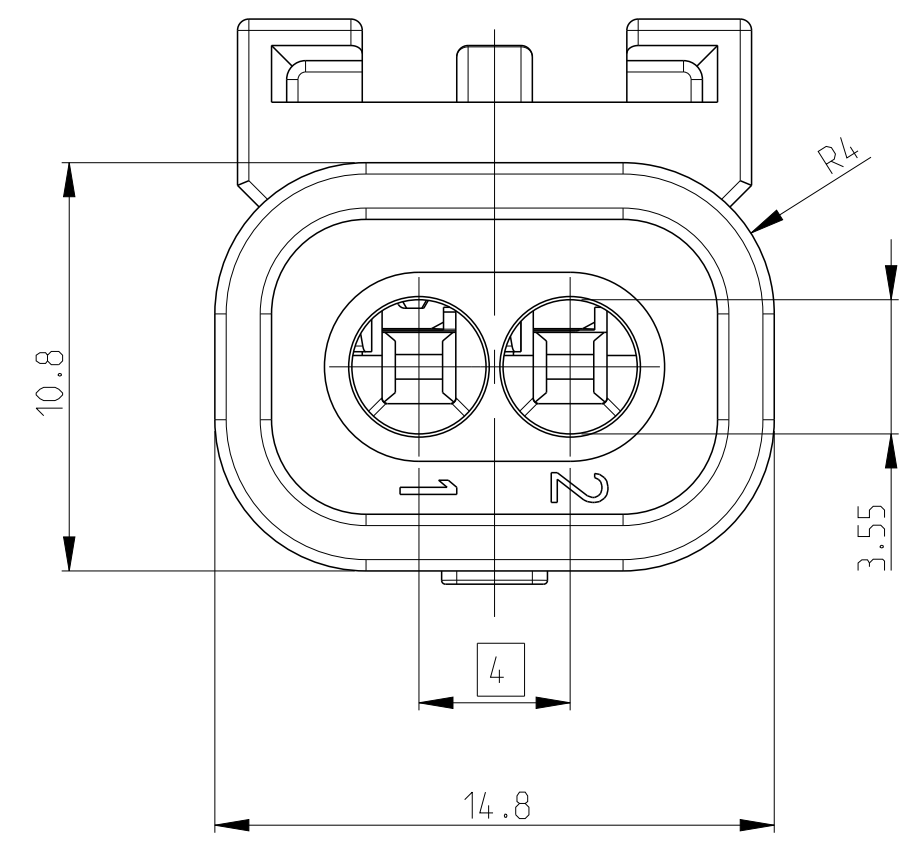


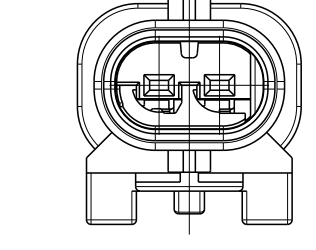
# SHOWN 1-1703498-1



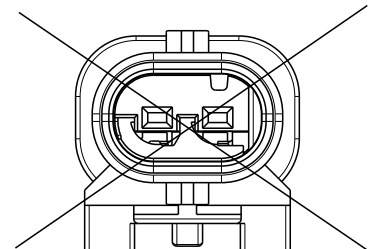
2:1

CODINGS  
2:1

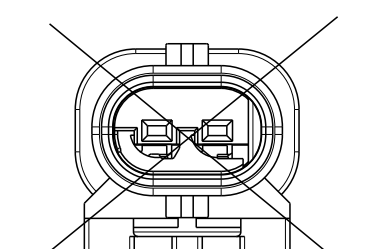
A 1-1703498-1



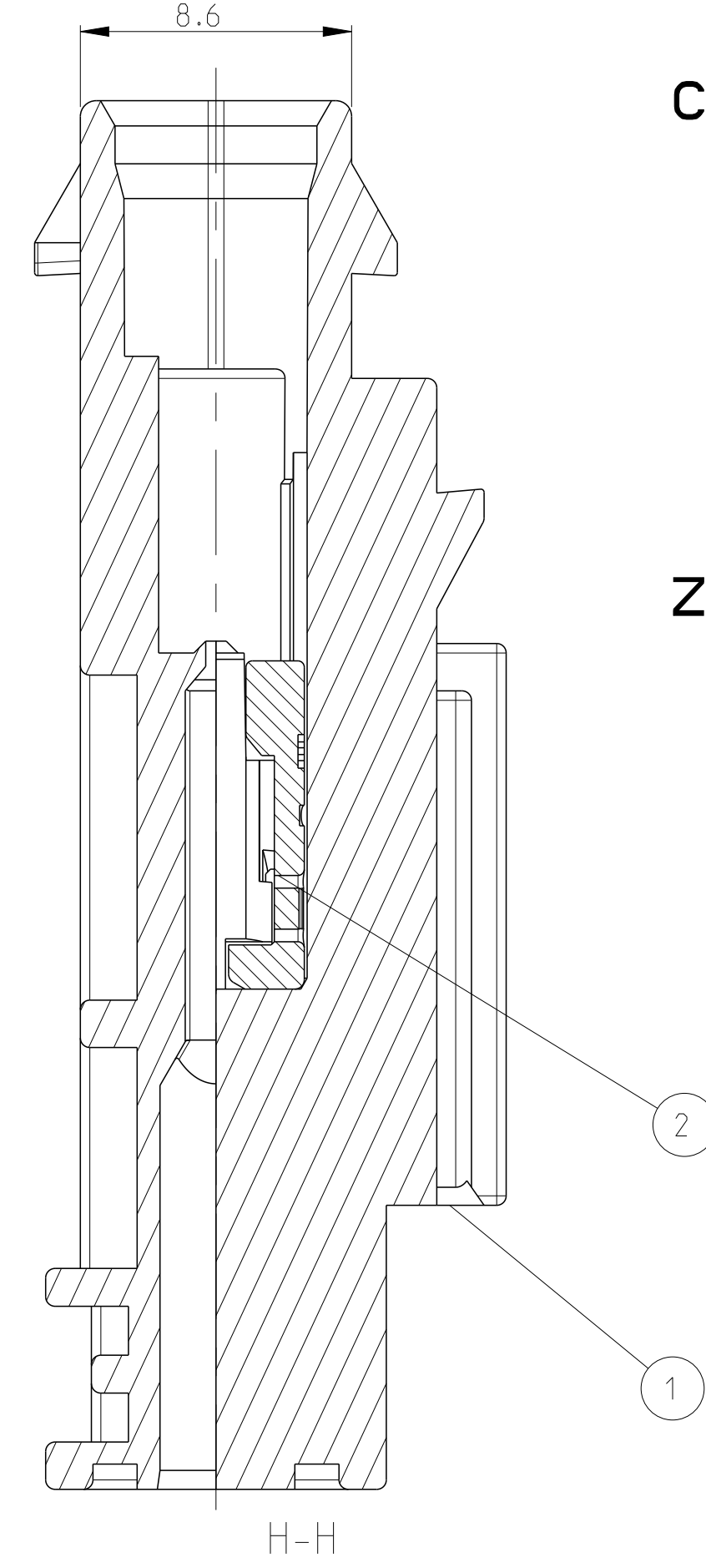
B 2-1703498-1



C 3-1703498-1

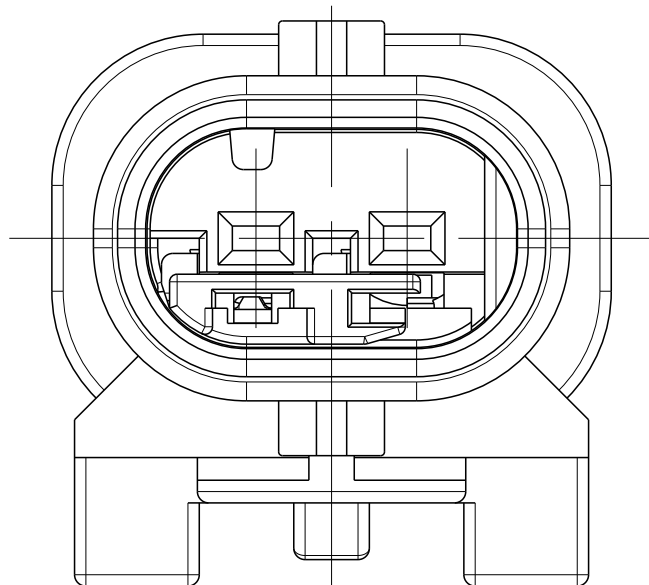


Z 4-1703498-1



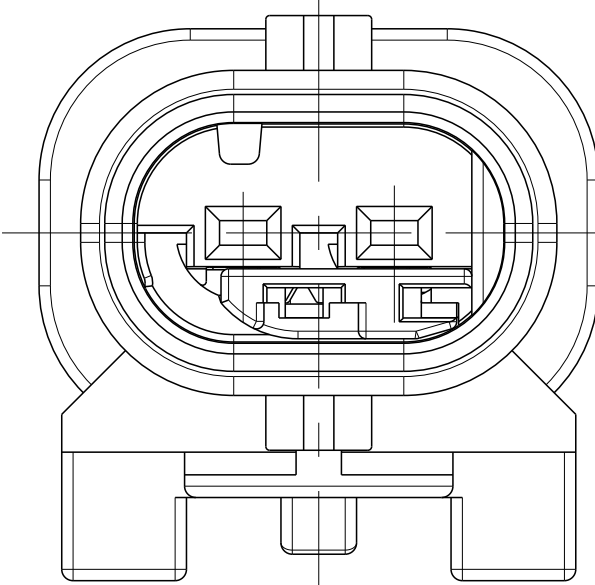
H-H

RETAINER IN PRE LOCKED POSITION  
2. Kontaktsicherung in Vorraststellung

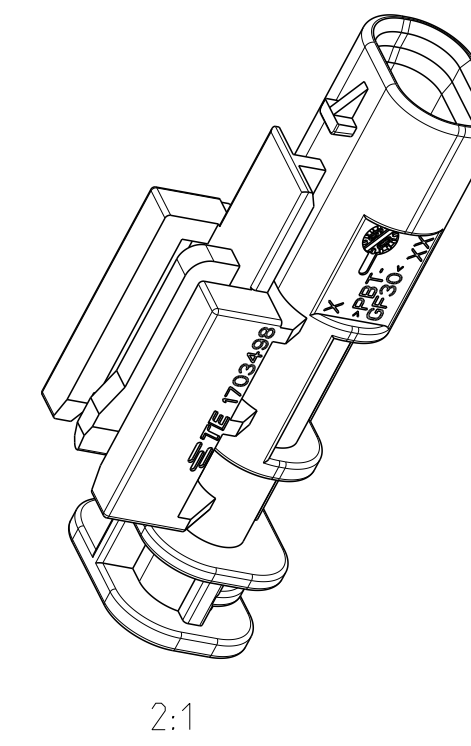
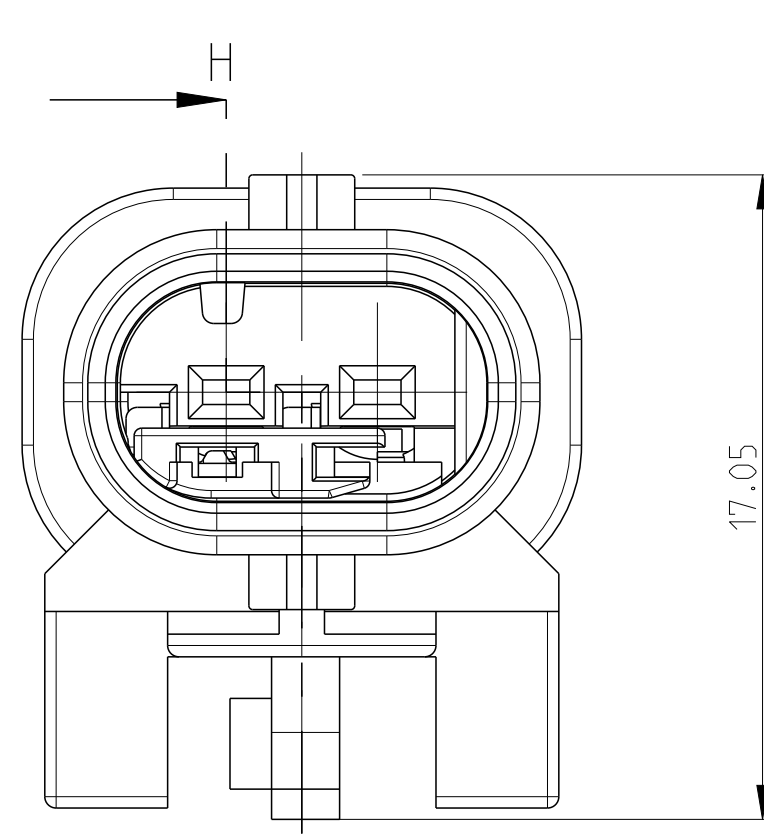
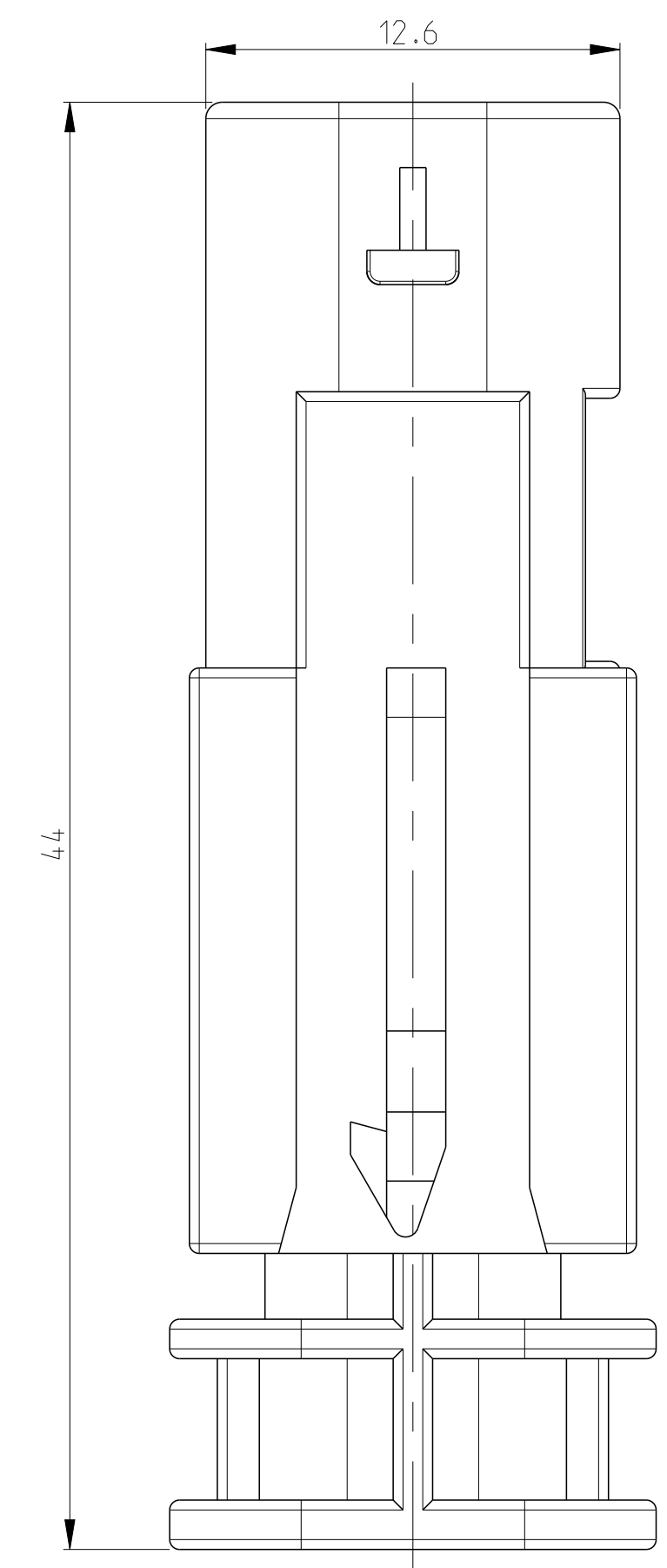
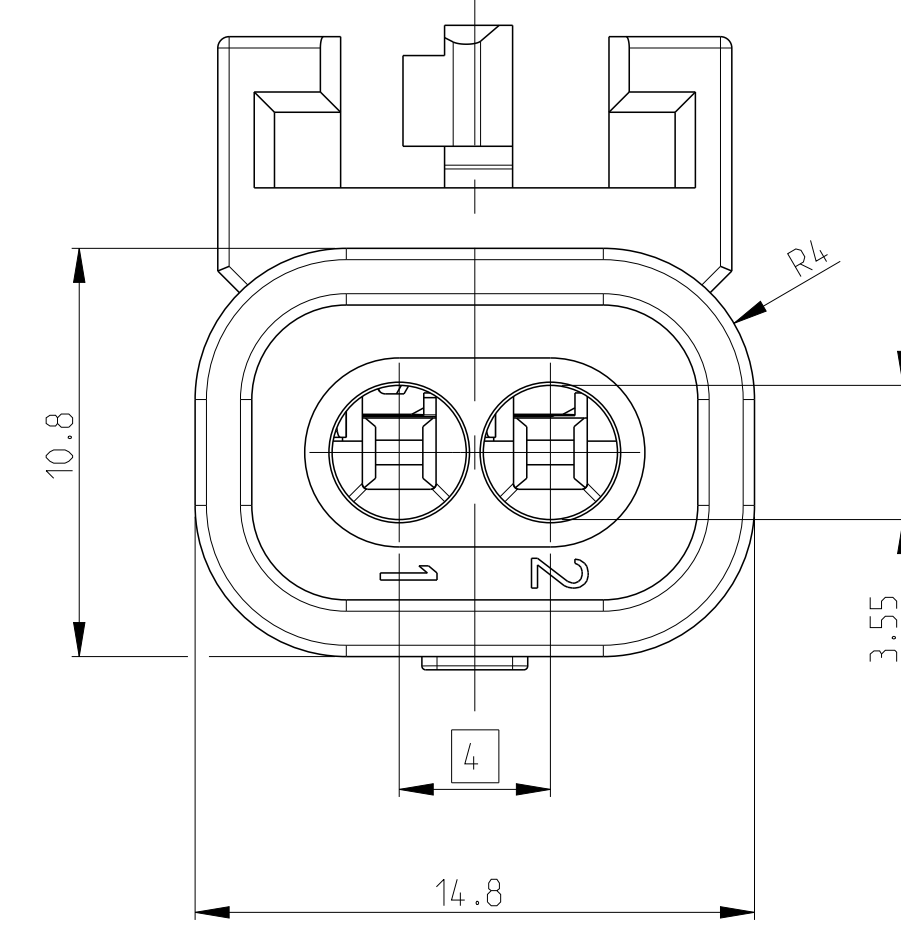


RETAINER MOVING DIRECTION  
2. Kontaktsicherung Verschiebeweg

RETAINER IN FINAL LOCKED POSITION  
2. Kontaktsicherung in Endraststellung



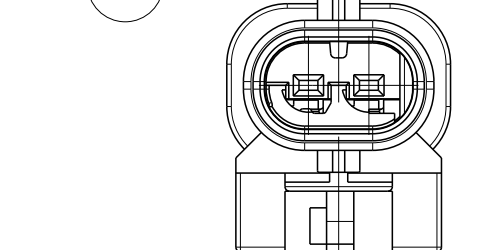
# SHOWN 1-1703498-2



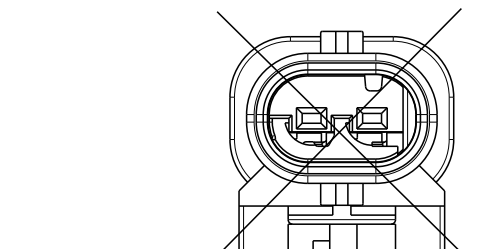
2:1

CODINGS  
2:1

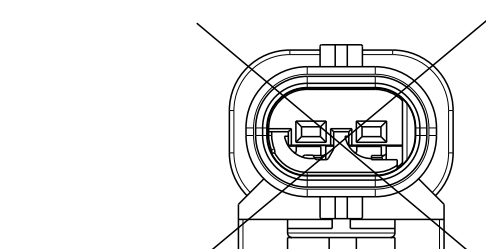
A 1-1703498-2  
1-1703498-5 (VW)



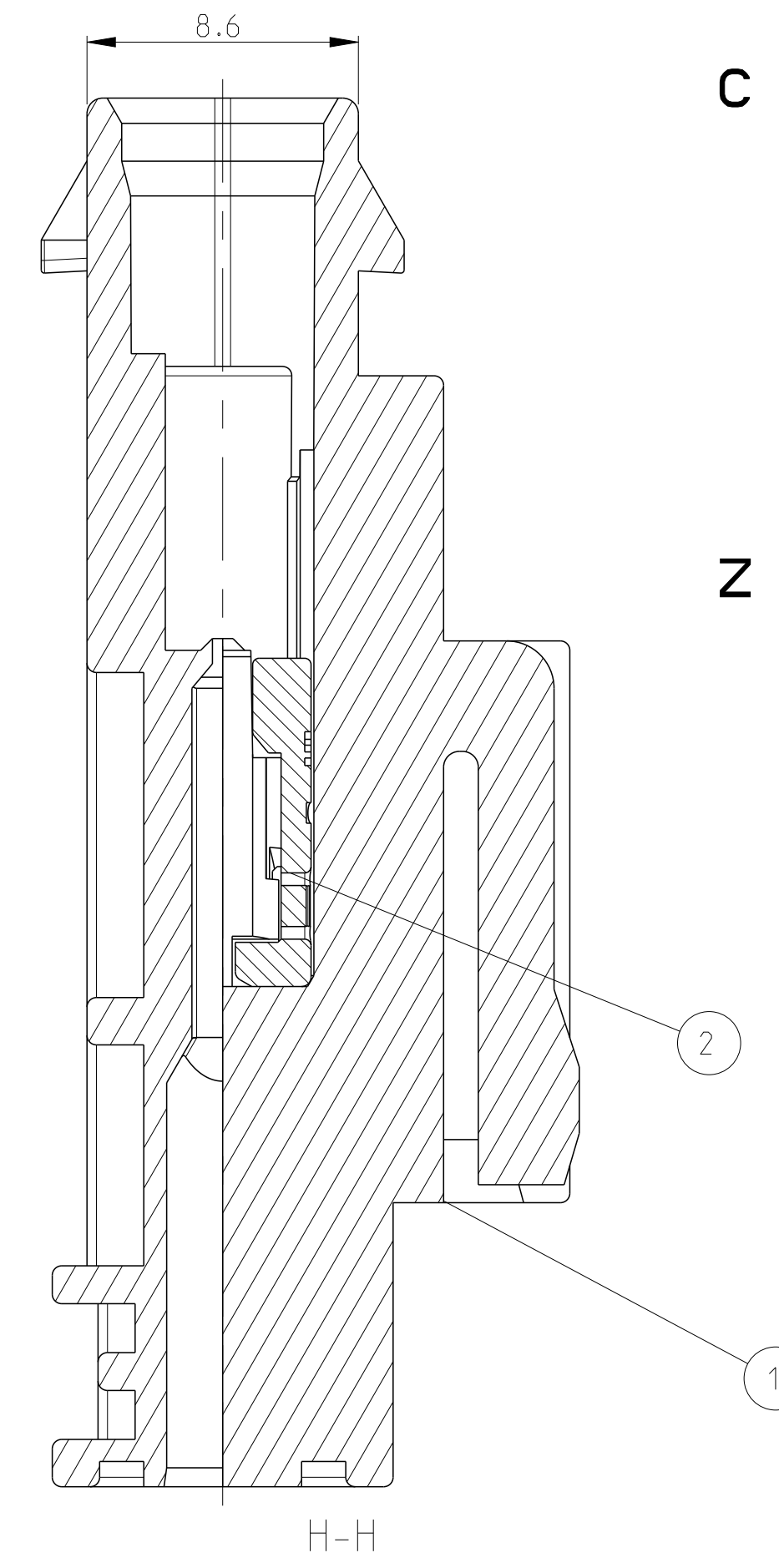
B 2-1703498-2



C 3-1703498-2



Z 4-1703498-2

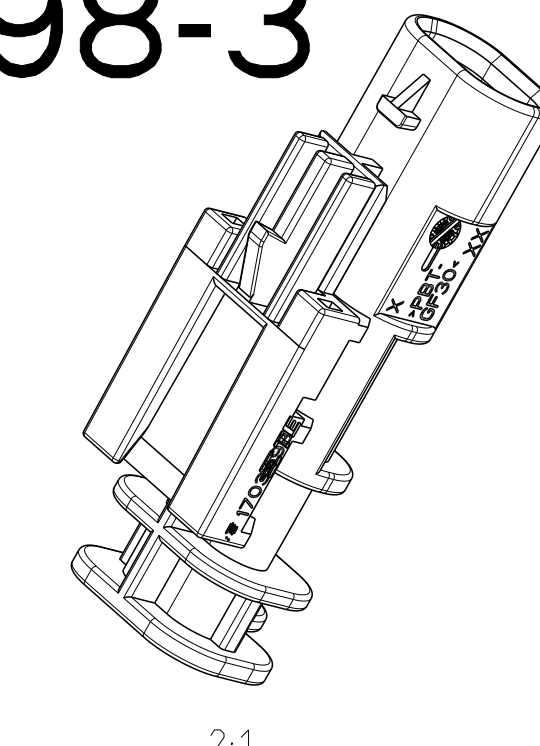
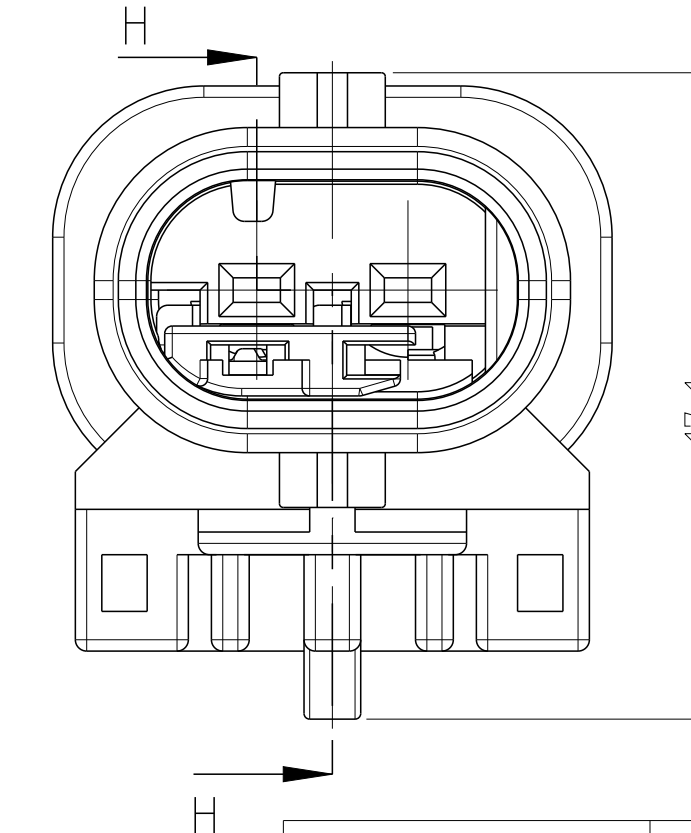
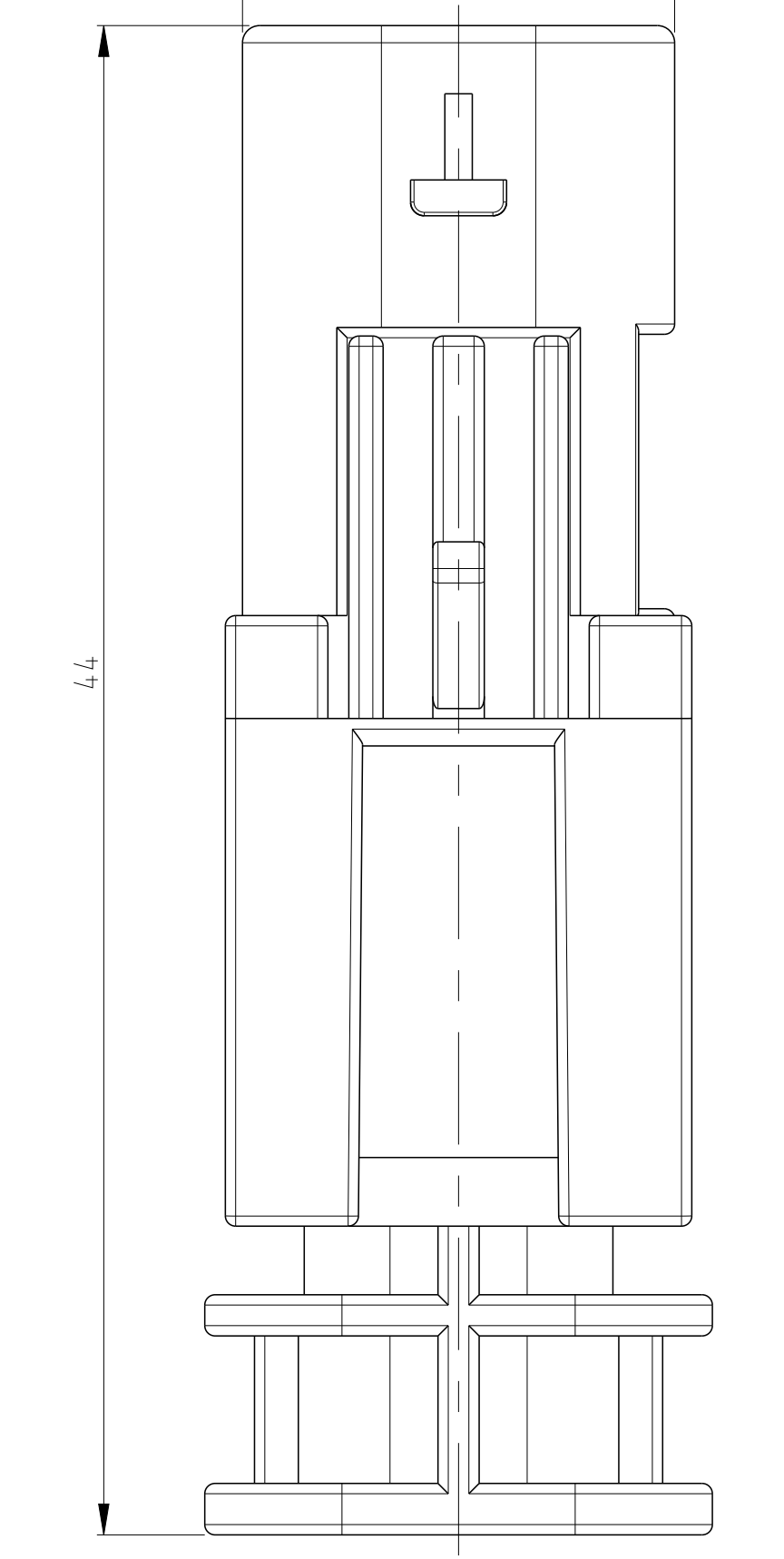
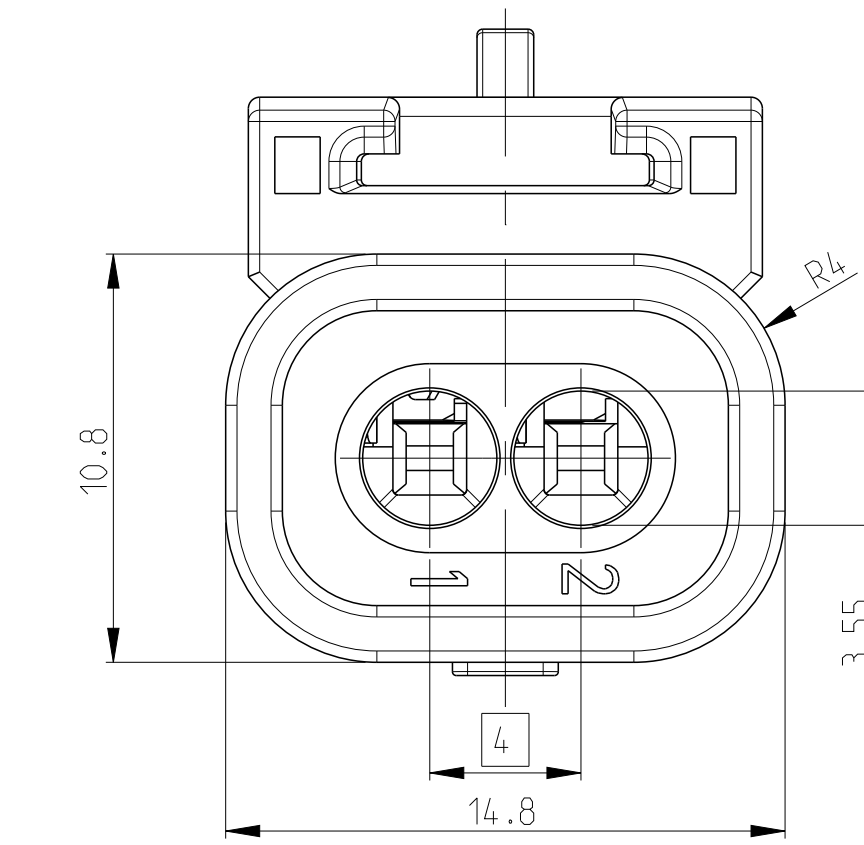


H-H

| TE-PN TERMINALS | WIRE RANGE                 | TE-PN SINGLE WIRE SEAL | TE-PN BLIND PLUG |
|-----------------|----------------------------|------------------------|------------------|
| 214868          | 0.08 - 0.22mm <sup>2</sup> | 967067-2               | 967056-1         |
| 1718758         | 0.25 - 0.35mm <sup>2</sup> | 967067-2               |                  |
| 1718760         | 0.5 - 0.75mm <sup>2</sup>  | 967067-1               |                  |
| 1718762         | 1mm <sup>2</sup>           | 967067-1               |                  |

TERMINAL TE-APPLICATION SPEC.: 114-18464

# SHOWN 1-1703498-3



2:1

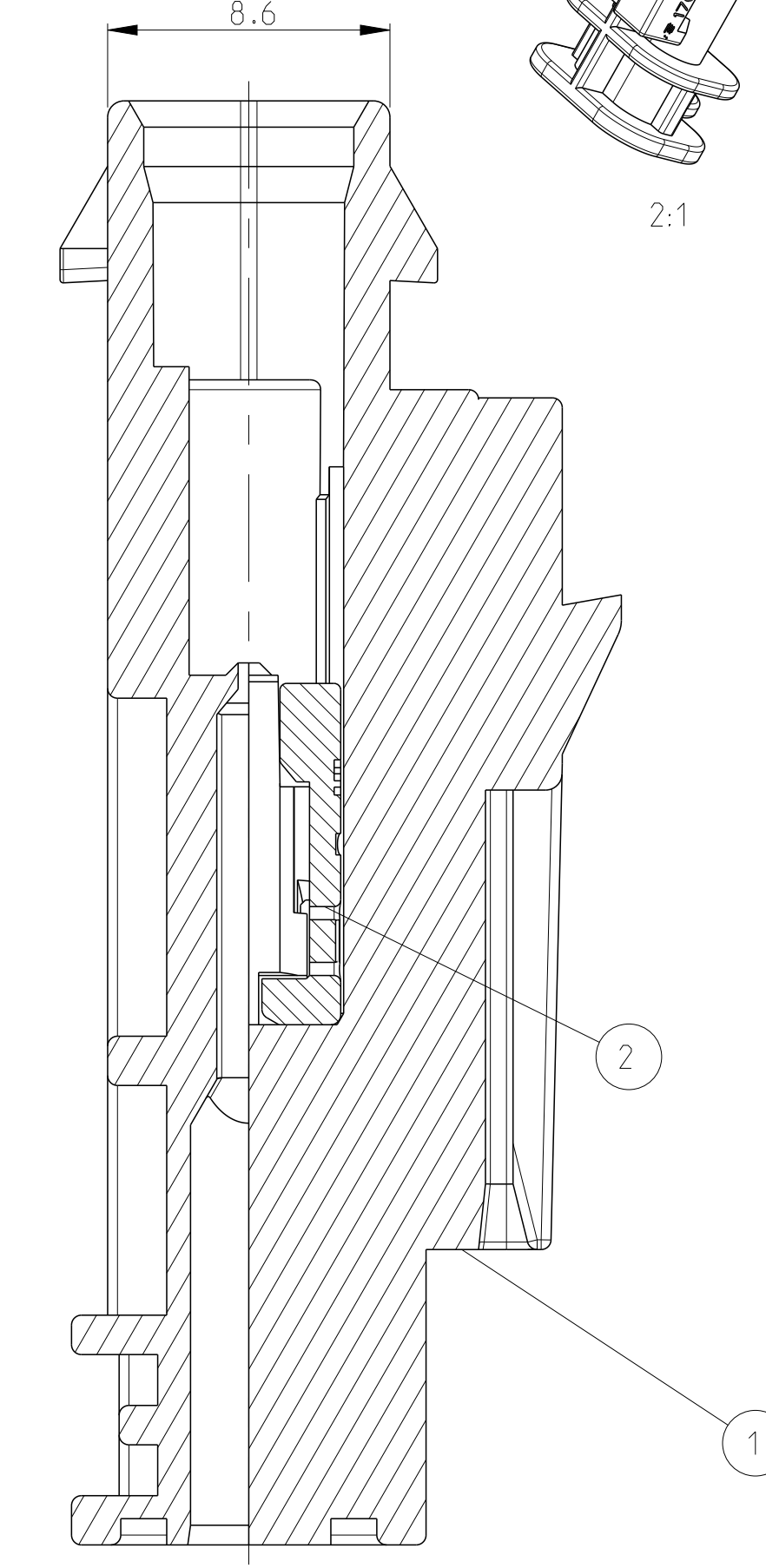
CODINGS  
2:1

A 1-1703498-3 (BLACK)  
1-1703498-4 (YELLOW)

B 2-1703498-3 (GREY) (C6)  
2-1703498-4 (YELLOW)

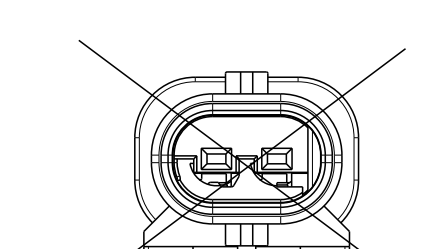
C 3-1703498-3

Z 4-1703498-3



H-H

2



| TE SUITABLE FEMALE HSG. PASSENDE BUCHSENGEH. | ASSY REV. | TE Bestell-Nr. ORDER-NO. | CODE | Benennung TITLE                        | QTY | Benennung Einzelteil TITLE             | Werkstoff MATERIAL | Oberflaeche/Farbe SURFACE/CLOUR | Pos. ITEM |
|--|-----------|--------------------------|------|--|-----|--|--------------------|---------------------------------|-----------|
| 2-1670916-1                                  | C         | 2-1703498-4              | B    | Stiftgehaeuse 2pol. MALE HOUSING 2POS. | 1   | Kontaktsicherung RETAINER              | PA66-GF35          | violett/VIOLET                  | 2         |
| 1-1670916-1                                  | C         | 1-1703498-4              | A    | Stiftgehaeuse 2pol. MALE HOUSING 2POS. | 1   | Stiftgehaeuse 2pol. MALE HOUSING 2POS. | PBT-GF30           | gelb/YELLOW                     | 1b        |
| -  | C         | 4-1703498-3              | Z    | Stiftgehaeuse 2pol. MALE HOUSING 2POS. | 1   | Kontaktsicherung RETAINER              | PA66-GF35          | violett/VIOLET                  | 2         |
| -  | C         | 3-1703498-3              | C    | Stiftgehaeuse 2pol. MALE HOUSING 2POS. | 1   | Kontaktsicherung RETAINER              | PA66-GF35          | violett/VIOLET                  | 2         |
| 2-1670916-1                                  | C         | 2-1703498-3              | B    | Stiftgehaeuse 2pol. MALE HOUSING 2POS. | 1   | Kontaktsicherung RETAINER              | PA66-GF35          | violett/VIOLET                  | 2         |
| 1-1670916-1                                  | C         | 1-1703498-3              | A    | Stiftgehaeuse 2pol. MALE HOUSING 2POS. | 1   | Kontaktsicherung RETAINER              | PA66-GF35          | grau/GREY                       | 1b        |

|             |   |             |   |  |   |                           |           |                |    |
|-------------|---|-------------|---|--|---|---------------------------|-----------|----------------|----|
| -           | C | 1-1703498-5 | A | Stiftgehaeuse 2pol. MALE HOUSING 2POS. | 1 | Kontaktsicherung RETAINER | PA66-GF35 | violett/VIOLET | 2  |
| -           | C | 4-1703498-2 | Z | Stiftgehaeuse 2pol. MALE HOUSING 2POS. | 1 | Kontaktsicherung RETAINER | PA66-GF35 | violett/VIOLET | 2  |
| -           | C | 3-1703498-2 | C | Stiftgehaeuse 2pol. MALE HOUSING 2POS. | 1 | Kontaktsicherung RETAINER | PA66-GF35 | violett/VIOLET | 2  |
| 2-1670916-1 | C | 2-1703498-2 | B | Stiftgehaeuse 2pol. MALE HOUSING 2POS. | 1 | Kontaktsicherung RETAINER | PA66-GF35 | grau/GREY      | 1b |
| 1-1670916-1 | C | 1-1703498-2 | A | Stiftgehaeuse 2pol. MALE HOUSING 2POS. | 1 | Kontaktsicherung RETAINER | PA66-GF35 | violett/VIOLET | 2  |

|             |   |             |   |  |   |                           |           |                |    |
|-------------|---|-------------|---|--|---|---------------------------|-----------|----------------|----|
| -           | C | 4-1703498-1 | Z | Stiftgehaeuse 2pol. MALE HOUSING 2POS. | 1 | Kontaktsicherung RETAINER | PA66-GF35 | violett/VIOLET | 2  |
| -           | C | 3-1703498-1 | C | Stiftgehaeuse 2pol. MALE HOUSING 2POS. | 1 | Kontaktsicherung RETAINER | PA66-GF35 | violett/VIOLET | 2  |
| 2-1670916-1 | C | 2-1703498-1 | B | Stiftgehaeuse 2pol. MALE HOUSING 2POS. | 1 | Kontaktsicherung RETAINER | PA66-GF35 | grau/GREY      | 1b |
| 1-1670916-1 | C | 1-1703498-1 | A | Stiftgehaeuse 2pol. MALE HOUSING 2POS. | 1 | Kontaktsicherung RETAINER | PA66-GF35 | violett/VIOLET | 2  |

| TE SUITABLE FEMALE HSG. PASSENDE BUCHSENGEH. | ASSY REV. | TE Bestell-Nr. ORDER-NO. | CODE | Benennung TITLE                        | QTY | Benennung Einzelteil TITLE | Werkstoff MATERIAL | Oberflaeche/Farbe SURFACE/CLOUR | Pos. ITEM |
|--|-----------|--------------------------|------|--|-----|----------------------------|--------------------|---------------------------------|-----------|
| -  | C         | 4-1703498-1              | Z    | Stiftgehaeuse 2pol. MALE HOUSING 2POS. | 1   | Kontaktsicherung RETAINER  | PA66-GF35          | violett/VIOLET                  | 2         |
| -  | C         | 3-1703498-1              | C    | Stiftgehaeuse 2pol. MALE HOUSING 2POS. | 1   | Kontaktsicherung RETAINER  | PA66-GF35          | violett/VIOLET                  | 2         |
| 2-1670916-1                                  | C         | 2-1703498-1              | B    | Stiftgehaeuse 2pol. MALE HOUSING 2POS. | 1   | Kontaktsicherung RETAINER  | PA66-GF35          | grau/GREY                       | 1b        |
| 1-1670916-1                                  | C         | 1-1703498-1              | A    | Stiftgehaeuse 2pol. MALE HOUSING 2POS. | 1   | Kontaktsicherung RETAINER  | PA66-GF35          | violett/VIOLET                  | 2         |

REGRIND MAX. 25%

THIS DRAWING IS A CONTROLLED DOCUMENT.

DATE: 19JUN2007  
 CH. RIJPER  
 G. MUMDER

DIMENSIONS: MILLIMETERS / DECIMAL INCHES

PRODUCT SPEC: 108-94.177  
 APPLICATION SPEC: 114-18910-1

WEIGHT: 4.48g

CUSTOMER DRAWING

SCALE: 5:1

DATE: 19JUN2007

MALE HOUSING, 2POS., MCON 1.2mm LL SEALED ASSY

SIZE: 00779

RESTRICTION: 1

REV: C

| REV | DATE      | BY  | CHK | APPD |
|-----|-----------|-----|-----|------|
| C3  | 28APR01   | SK  | HR  |      |
| C4  | 25SEP013  | MT  | HR  |      |
| C5  | 19MAR2015 | MT  | HR  |      |
| C6  | 06APR2017 | LSZ | RT  |      |

| REV | DATE      | BY  | CHK | APPD |
|-----|-----------|-----|-----|------|
| C3  | 28APR01   | SK  | HR  |      |
| C4  | 25SEP013  | MT  | HR  |      |
| C5  | 19MAR2015 | MT  | HR  |      |
| C6  | 06APR2017 | LSZ | RT  |      |

| REV | DATE      | BY  | CHK | APPD |
|-----|-----------|-----|-----|------|
| C3  | 28APR01   | SK  | HR  |      |
| C4  | 25SEP013  | MT  | HR  |      |
| C5  | 19MAR2015 | MT  | HR  |      |
| C6  | 06APR2017 | LSZ | RT  |      |

| REV | DATE      | BY  | CHK | APPD |
|-----|-----------|-----|-----|------|
| C3  | 28APR01   | SK  | HR  |      |
| C4  | 25SEP013  | MT  | HR  |      |
| C5  | 19MAR2015 | MT  | HR  |      |
| C6  | 06APR2017 | LSZ | RT  |      |

| REV | DATE      | BY  | CHK | APPD |
|-----|-----------|-----|-----|------|
| C3  | 28APR01   | SK  | HR  |      |
| C4  | 25SEP013  | MT  | HR  |      |
| C5  | 19MAR2015 | MT  | HR  |      |
| C6  | 06APR2017 | LSZ | RT  |      |

| REV | DATE      | BY  | CHK | APPD |
|-----|-----------|-----|-----|------|
| C3  | 28APR01   | SK  | HR  |      |
| C4  | 25SEP013  | MT  | HR  |      |
| C5  | 19MAR2015 | MT  | HR  |      |
| C6  | 06APR2017 | LSZ | RT  |      |

| REV | DATE      | BY  | CHK | APPD |
|-----|-----------|-----|-----|------|
| C3  | 28APR01   | SK  | HR  |      |
| C4  | 25SEP013  | MT  | HR  |      |
| C5  | 19MAR2015 | MT  | HR  |      |
| C6  | 06APR2017 | LSZ | RT  |      |

| REV | DATE      | BY  | CHK | APPD |
|-----|-----------|-----|-----|------|
| C3  | 28APR01   | SK  | HR  |      |
| C4  | 25SEP013  | MT  | HR  |      |
| C5  | 19MAR2015 | MT  | HR  |      |
| C6  | 06APR2017 | LSZ | RT  |      |

| REV | DATE      | BY  | CHK | APPD |
|-----|-----------|-----|-----|------|
| C3  | 28APR01   | SK  | HR  |      |
| C4  | 25SEP013  | MT  | HR  |      |
| C5  | 19MAR2015 | MT  | HR  |      |
| C6  | 06APR2017 | LSZ | RT  |      |

| REV | DATE      | BY  | CHK | APPD |
|-----|-----------|-----|-----|------|
| C3  | 28APR01   | SK  | HR  |      |
| C4  | 25SEP013  | MT  | HR  |      |
| C5  | 19MAR2015 | MT  | HR  |      |
| C6  | 06APR2017 | LSZ | RT  |      |

| REV | DATE      | BY  | CHK | APPD |
|-----|-----------|-----|-----|------|
| C3  | 28APR01   | SK  | HR  |      |
| C4  | 25SEP013  | MT  | HR  |      |
| C5  | 19MAR2015 | MT  | HR  |      |
| C6  | 06APR2017 | LSZ | RT  |      |

| REV | DATE      | BY  | CHK | APPD |
|-----|-----------|-----|-----|------|
| C3  | 28APR01   | SK  | HR  |      |
| C4  | 25SEP013  | MT  | HR  |      |
| C5  | 19MAR2015 | MT  | HR  |      |
| C6  | 06APR2017 | LSZ | RT  |      |

| REV | DATE      | BY  | CHK | APPD |
|-----|-----------|-----|-----|------|
| C3  | 28APR01   | SK  | HR  |      |
| C4  | 25SEP013  | MT  | HR  |      |
| C5  | 19MAR2015 | MT  | HR  |      |
| C6  | 06APR2017 | LSZ | RT  |      |

| REV | DATE      | BY  | CHK | APPD |
|-----|-----------|-----|-----|------|
| C3  | 28APR01   | SK  | HR  |      |
| C4  | 25SEP013  | MT  | HR  |      |
| C5  | 19MAR2015 | MT  | HR  |      |
| C6  | 06APR2017 | LSZ | RT  |      |

| REV | DATE      | BY  | CHK | APPD |
|-----|-----------|-----|-----|------|
| C3  | 28APR01   | SK  | HR  |      |
| C4  | 25SEP013  | MT  | HR  |      |
| C5  | 19MAR2015 | MT  | HR  |      |
| C6  | 06APR2017 | LSZ | RT  |      |

| REV | DATE      | BY  | CHK | APPD |
|-----|-----------|-----|-----|------|
| C3  | 28APR01   | SK  | HR  |      |
| C4  | 25SEP013  | MT  | HR  |      |
| C5  | 19MAR2015 | MT  | HR  |      |
| C6  | 06APR2017 | LSZ | RT  |      |

| REV | DATE      | BY  | CHK | APPD |
|-----|-----------|-----|-----|------|
| C3  | 28APR01   | SK  | HR  |      |
| C4  | 25SEP013  | MT  | HR  |      |
| C5  | 19MAR2015 | MT  | HR  |      |
| C6  | 06APR2017 | LSZ | RT  |      |

| REV | DATE      | BY  | CHK | APPD |
|-----|-----------|-----|-----|------|
| C3  | 28APR01   | SK  | HR  |      |
| C4  | 25SEP013  | MT  | HR  |      |
| C5  | 19MAR2015 | MT  | HR  |      |
| C6  | 06APR2017 | LSZ | RT  |      |

| REV | DATE      | BY  | CHK | APPD |
|-----|-----------|-----|-----|------|
| C3  | 28APR01   | SK  | HR  |      |
| C4  | 25SEP013  | MT  | HR  |      |
| C5  | 19MAR2015 | MT  | HR  |      |
| C6  | 06APR2017 | LSZ | RT  |      |

| REV | DATE      | BY  | CHK | APPD |
|-----|-----------|-----|-----|------|
| C3  | 28APR01   | SK  | HR  |      |
| C4  | 25SEP013  | MT  | HR  |      |
| C5  | 19MAR2015 | MT  | HR  |      |
| C6  | 06APR2017 | LSZ | RT  |      |

| REV | DATE      | BY  | CHK | APPD |
|-----|-----------|-----|-----|------|
| C3  | 28APR01   | SK  | HR  |      |
| C4  | 25SEP013  | MT  | HR  |      |
| C5  | 19MAR2015 | MT  | HR  |      |
| C6  | 06APR2017 | LSZ | RT  |      |

| REV | DATE        | BY | CHK | APPD |
|-----|-------------|----|-----|------|
| C3  | 28APR01     | SK | HR  |      |
| C4  | 25SEP013    | MT | HR  |      |
| C5  | 19MAR2015</ |    |     |      |

# Mouser Electronics

Authorized Distributor

Click to View Pricing, Inventory, Delivery & Lifecycle Information:

[TE Connectivity:](#)

[1-1703498-1](#)