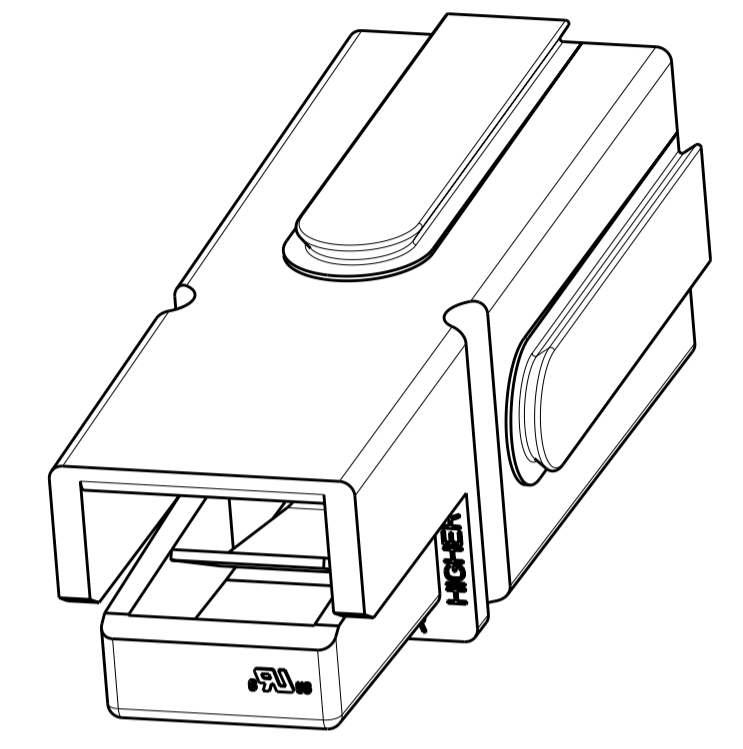
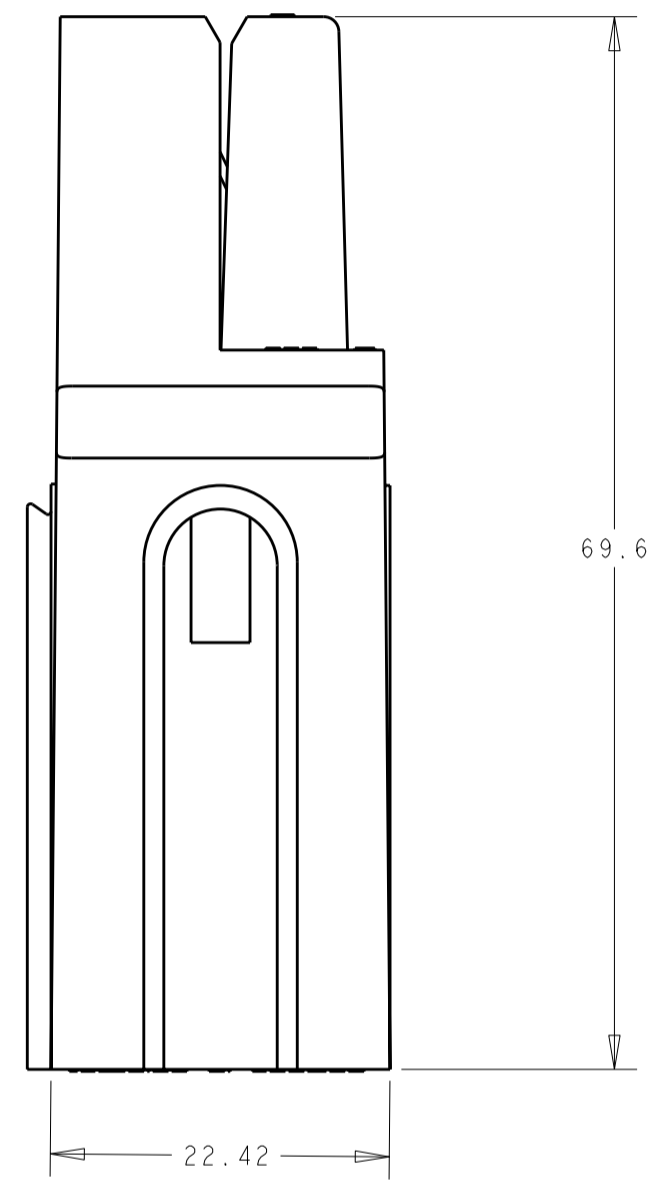
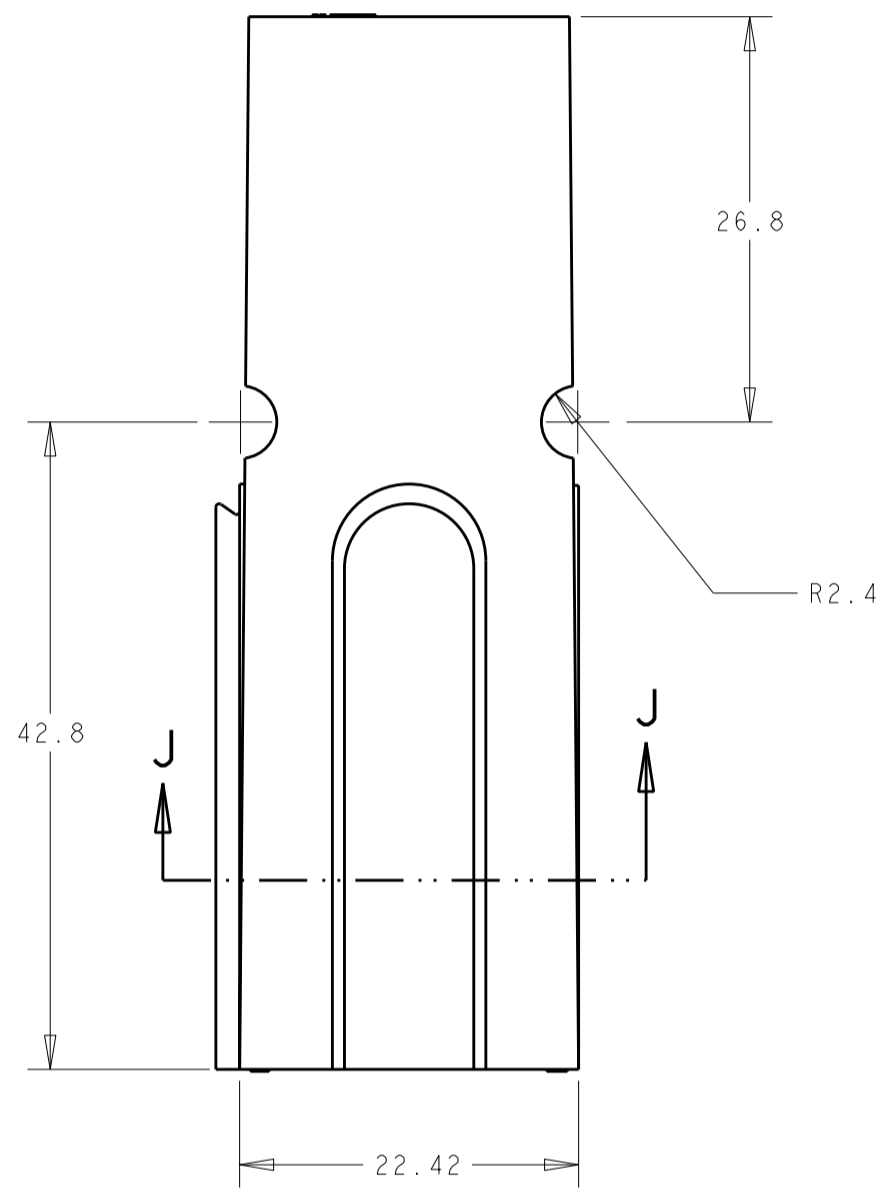
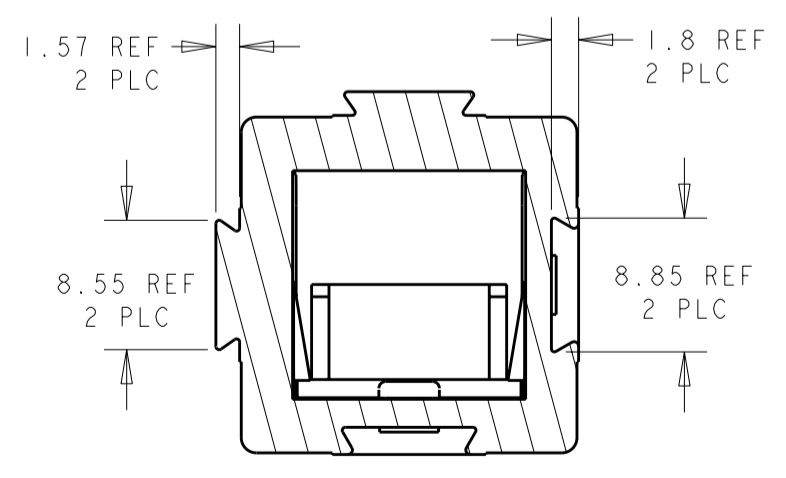


THIS DRAWING IS UNPUBLISHED. RELEASED FOR PUBLICATION 20
 © COPYRIGHT 20 BY - ALL RIGHTS RESERVED.

LOC		DIST		REVISIONS			
P	LTR	DESCRIPTION	DATE	DWN	APVD		
	B2	REVISED PER ECO-11-004917	12MAR2011	RK	HMR		

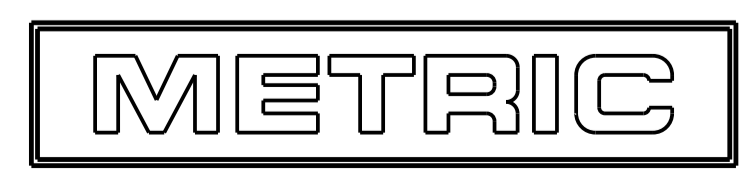


1. THIS PRODUCT HAS PASSED VERIFICATION AND AGENCY APPROVALS TESTING AND IS COMPONENT RECOGNIZED PER UL 1977 AND CSA 22.2. TE CONNECTIVITY PRODUCT QUALIFICATION TESTING IS NOT YET COMPLETED.



SECTION J - J

RED	1604001-5
GREEN	1604001-4
WHITE	1604001-3
BLACK	1604001-2
BLUE	1604001-1
COLOR	PART NUMBER



THIS DRAWING IS A CONTROLLED DOCUMENT.		DWN	BH	28NOV01	STE TE Connectivity		
DIMENSIONS: mm		CHK	KAK	28NOV01			
TOLERANCES UNLESS OTHERWISE SPECIFIED:		APVD	KAK	28NOV01	SUB-ASSEMBLY, AMP POWER SERIES		
0 PLC	±0.13	PRODUCT SPEC	-				
1 PLC	±0.13	APPLICATION SPEC	-				
2 PLC	±0.13	WEIGHT	-				
3 PLC	±0.13	CUSTOMER DRAWING	-				
4 PLC	±	SCALE	2:1		SHEET		OF
ANGLES	±	SIZE		CAGE CODE		DRAWING NO	
FINISH	±	A200779		C-1604001		RESTRICTED TO	
		SCALE		SHEET		REV B2	

Mouser Electronics

Authorized Distributor

Click to View Pricing, Inventory, Delivery & Lifecycle Information:

[TE Connectivity:](#)

[1604001-4](#)