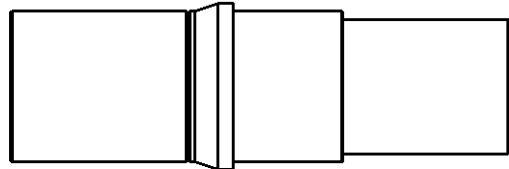
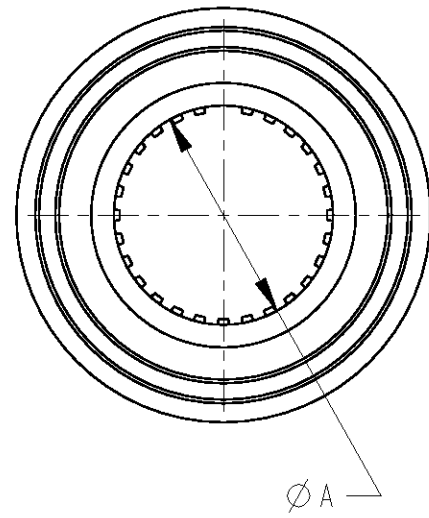
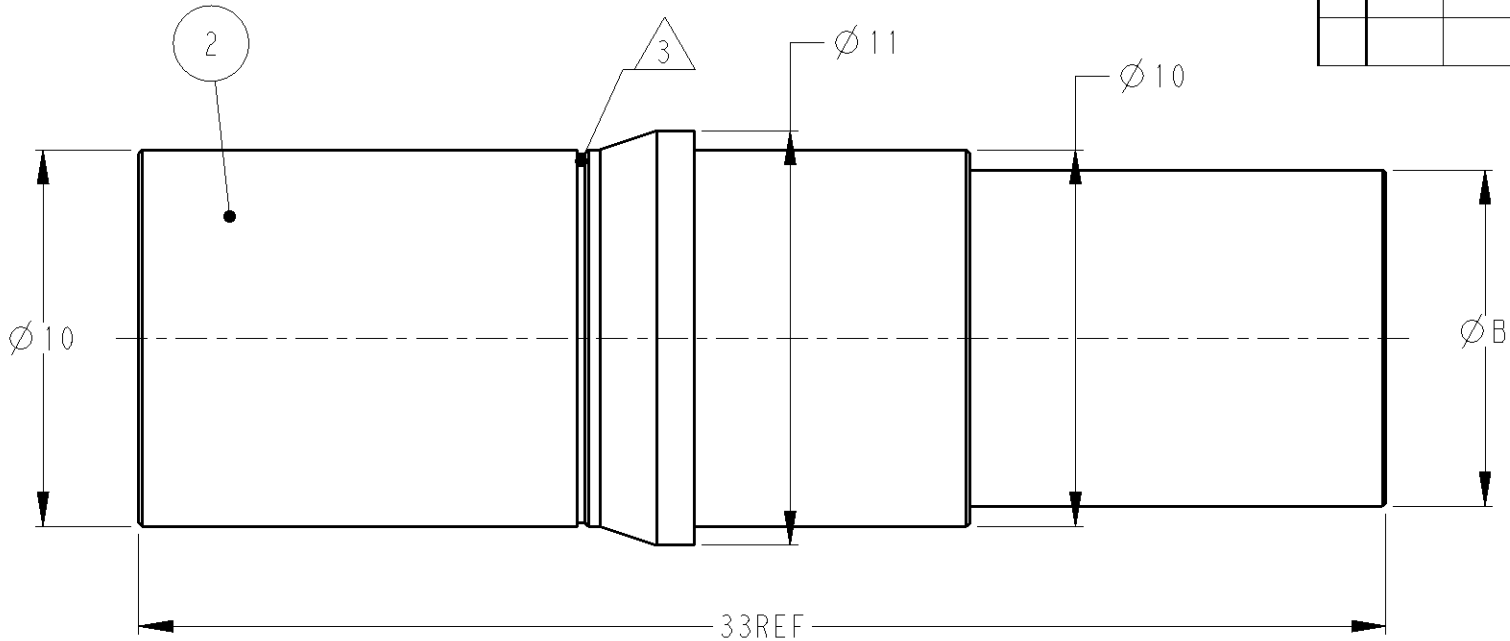
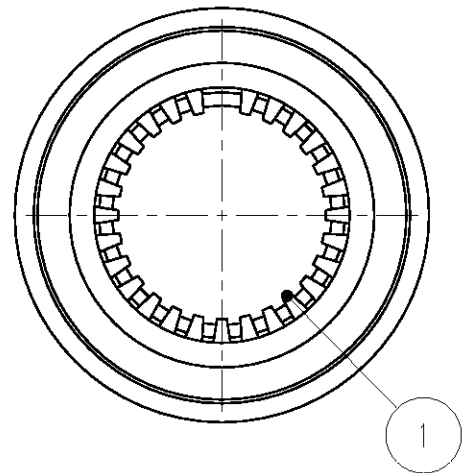


THIS DRAWING IS UNPUBLISHED. RELEASED FOR PUBLICATION 20

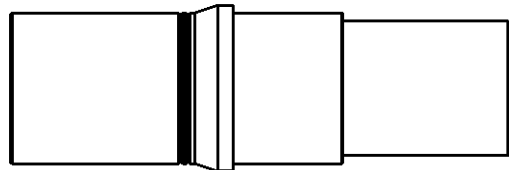
© COPYRIGHT 20 BY TYCO ELECTRONICS CORPORATION. ALL RIGHTS RESERVED.

LOC	DIST	REVISIONS			
P	LTR	DESCRIPTION	DATE	DWN	APVD
J	-	A	RELEASED	31JUL2010	M.M N.Y
		B	REVISED	31AUG2010	M.M N.Y

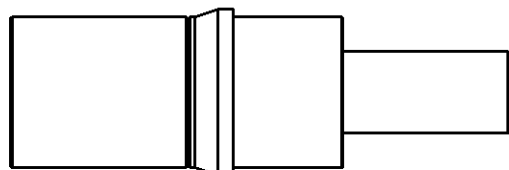
AS SHOWN : 1871132-1



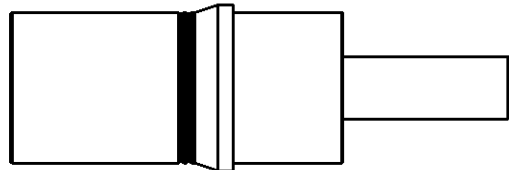
SCALE 2:1
1871132-1



1871132-2



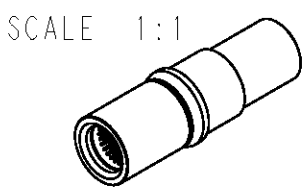
1871132-3



1871132-4

- ①. MATERIAL :
BODY CONTACT : COPPER
CROWN CONTACT : COPPER ALLOY
- ②. FINISH :
BODY CONTACT :
SILVER PLATED ALL OVER 2.54µmMIN
AFTER NICKEL PLATED ALL OVER 1.3µmMIN
CROWN CONTACT :
GOLD PLATED ON CONTACT AREA 0.76µmMIN
AFTER NICKEL PLATED ALL OVER 1.3µmMIN
- ③. ID MARK FOR WIRE SIZE.
- 4 .APPLICATED CRIMP HAND TOOL
1871132-1 : 59975-1 (SET NO 6)
1871132-2 : 59975-1 (SET NO 6)
1871132-3 : 409777-1 (SET NO 5.5)
1871132-4 : 409777-1 (SET NO 5.5)

WIRE RANGE(mm2) (AWG # REF)	ID MARK	B	A	1871132-4	1871132-3	1871132-2	1871132-1	DESCRIPTION	ITEM
1.0~2.6 (AWG #16-14)	2 LINE	4.1	2.3	1				SOCKET CONTACT #14	②
2.7~6.6 (AWG #12-10)	1 LINE	5.4	3.4		1			SOCKET CONTACT #10	②
6.7~10.5 (AWG #8)	2 LINE	8.9	4.5			1		SOCKET CONTACT # 8	②
10.6~16.7 (AWG #6)	1 LINE	8.9	5.8				1	SOCKET CONTACT # 6	②
				1	1	1	1	CROWN CONTACT	①



SCALE 1:1

THIS DRAWING IS A CONTROLLED DOCUMENT FOR TYCO ELECTRONICS CORPORATION. IT IS SUBJECT TO CHANGE AND THE CONTROLLING ENGINEERING ORGANIZATION SHOULD BE CONTACTED FOR THE LATEST REVISION.

DIMENSIONS: 単位: 概 mm	TOLERANCES UNLESS OTHERWISE SPECIFIED: 一般公差 ±0.3, ±5° 0-PLC ± 1-PLC ± 2-PLC ± 3-PLC ± 4-PLC ± ANGLES ±	DWN M. MAEBASHI 31JUL2010 CHK N. YAMASAKI 31JUL2010 APVD N. YAMASAKI 31JUL2010	Tyco Electronics Corporation Kawasaki, Japan	
MATERIAL 材料	FINISH 仕上	PRODUCT SPEC 製品規格 108-78470	NAME 名称 DYNAMIC D7000 SERIES SOCKET CONTACT ASSY	
①	②	APPLICATION SPEC 取付適用規格 114-5452	SIZE A3	CAGE CODE 00779
CUSTOMER DRAWING		WEIGHT -	DRAWING NO 番号 C=1871132	RESTRICTED TO -
		SCALE 尺度 5:1	SHEET 1	OF 1
			REV B	

Mouser Electronics

Authorized Distributor

Click to View Pricing, Inventory, Delivery & Lifecycle Information:

[TE Connectivity:](#)

[1871132-4](#)