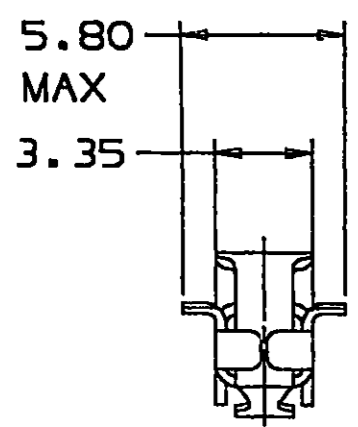
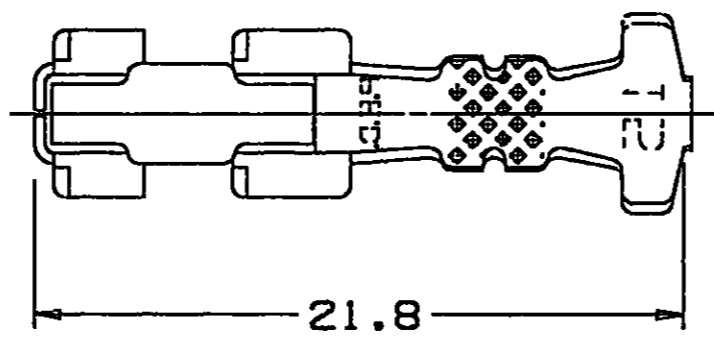


D THIS DRAWING AND DESIGN HEREON CONSTITUTES A PROPRIETARY DESIGN OF PACKARD ELECTRIC DIVISION AND IS NOT TO BE DUPLICATED OR REPRODUCED WITHOUT AUTHORITY OF PACKARD ELECTRIC DIVISION

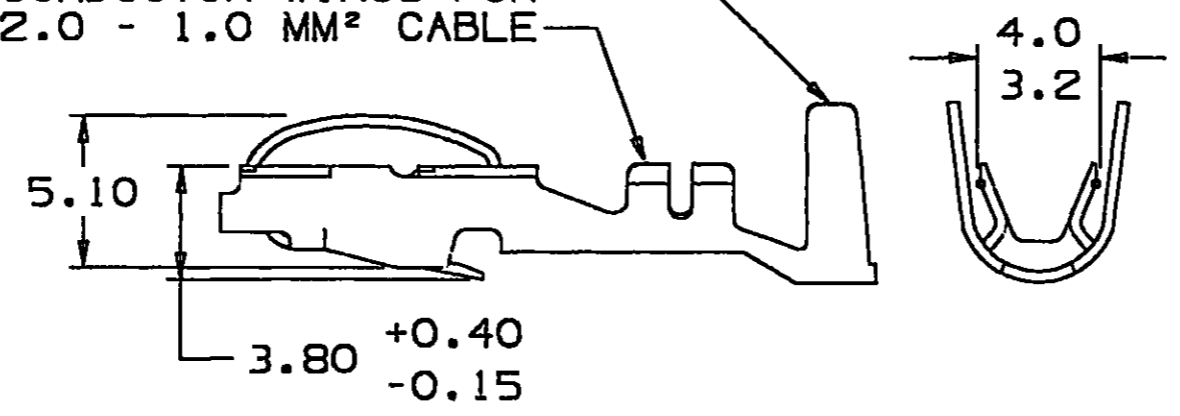
DO NOT SCALE

PART NO
1209 2059

DATE	SYM	REVISION RECORD	AUTH	DR	CK
01NO91	—	REDRAWN TO LATEST STANDARDS - REV			
		LEVEL REMAINS AT "B"	144974	RKR	AK
24SE12	—	UPDATED PDM ATTRIBUTES			
		"B1"	419776	LES	AH



INSULATION WINGS FOR 3.49 MAX INSULATION DIA
CONDUCTOR WINGS FOR 2.0 - 1.0 MM² CABLE



NOTES—1. THIS TERMINAL ACCEPTS 12015323 CABLE SEAL OR EQUIVALENT.
2. MATES TO LAMP SOCKET 12066688 OR EQUIVALENT.

Uigraphics II		METRIC	
THIRD ANGLE PROJECTION		DIMENSIONS ARE IN MILLIMETERS UNLESS OTHERWISE SPECIFIED	
		TOLERANCE UNLESS OTHERWISE SPECIFIED DECIMAL: ANGULAR ± 2°	
CODE NO	QC	ONE PLACE ± 0.3	TWO PLACE ± 0.15
6901		DR J. HOUVELMAN	28JL88
DWG DATE	28JL88	CK T. MUDREY	19AU88
SCALE	NONE	APPR P. REEDY	22AU88
REFERENCE NO		APPR T. E. GENT	22AU88
12092060 "A0" SIZE			
MATERIAL SPEC			
0.36 THICK TIN BRASS - TIN PLATED			
NAME			
TERM LP SOC WGE BSE			
PART NUMBER			SIZE
1209 2059			A3
OUTLINE DRAWING			

PACKARD ELECTRIC DIVISION
GENERAL MOTORS CORPORATION
WARREN, OHIO

Mouser Electronics

Authorized Distributor

Click to View Pricing, Inventory, Delivery & Lifecycle Information:

[Aptiv:](#)

[12092059](#)