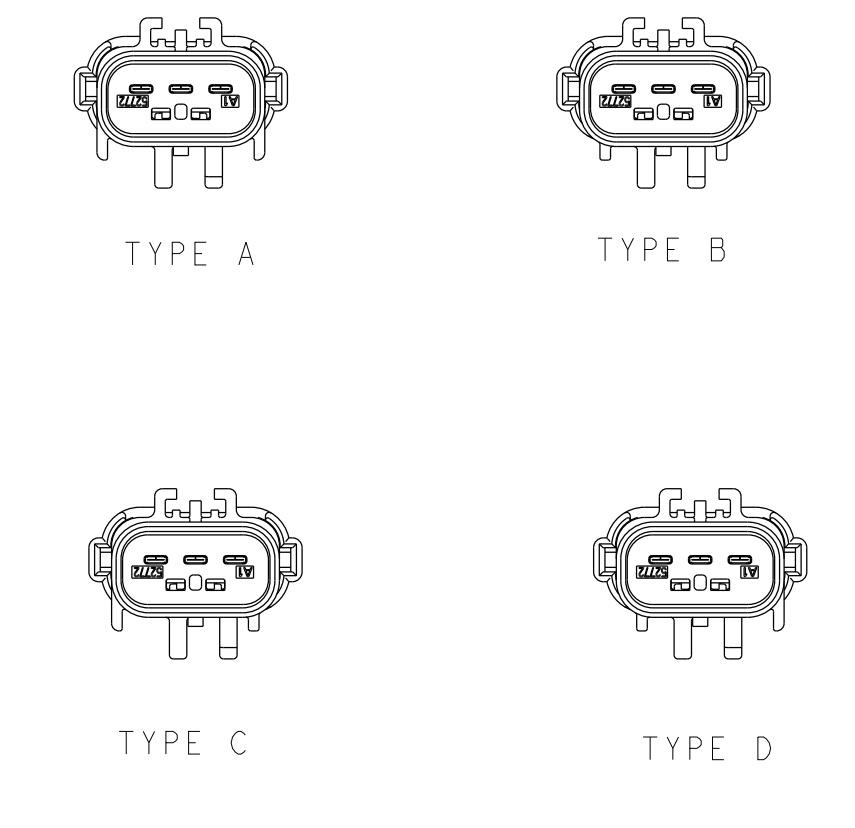
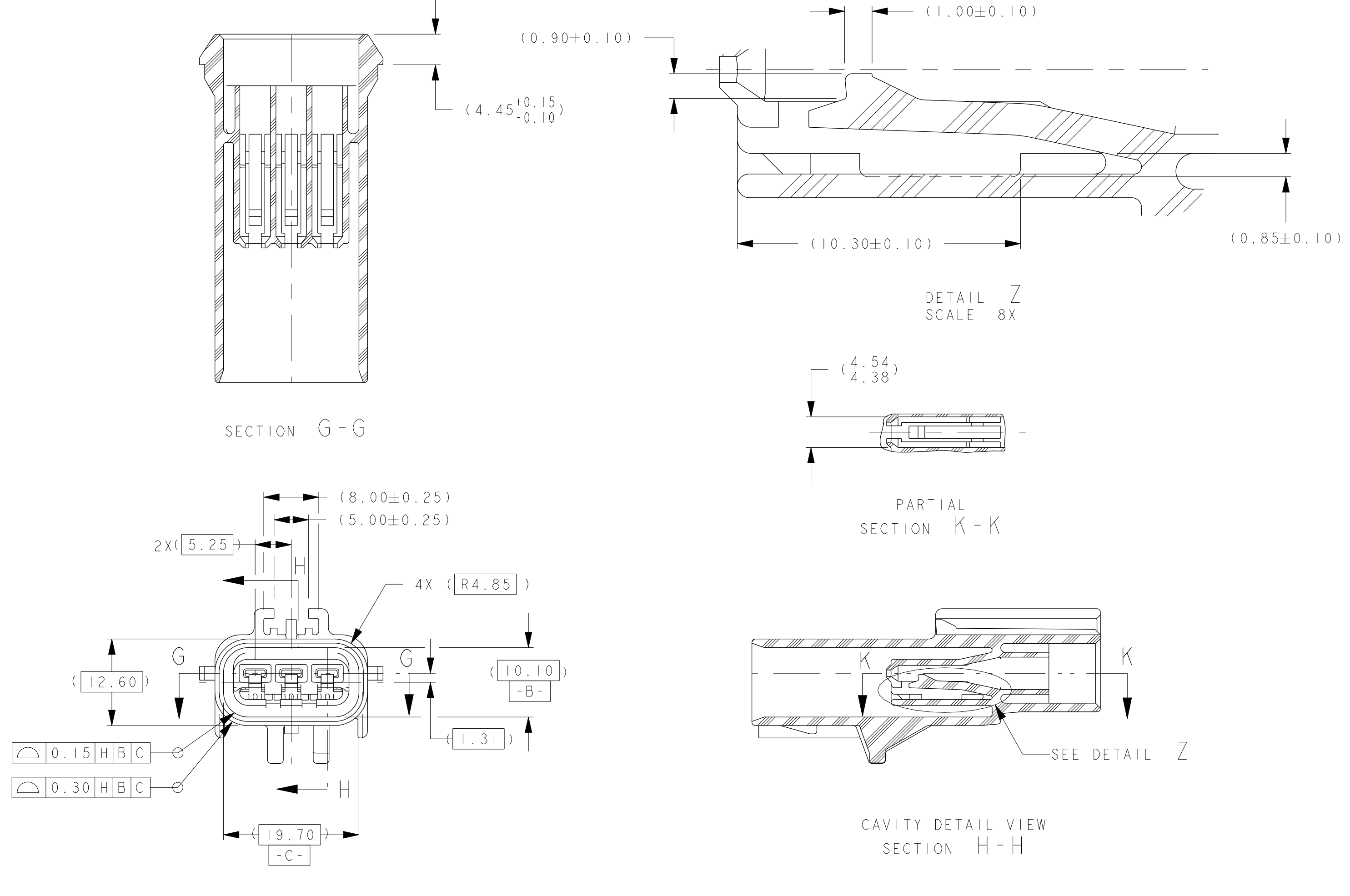
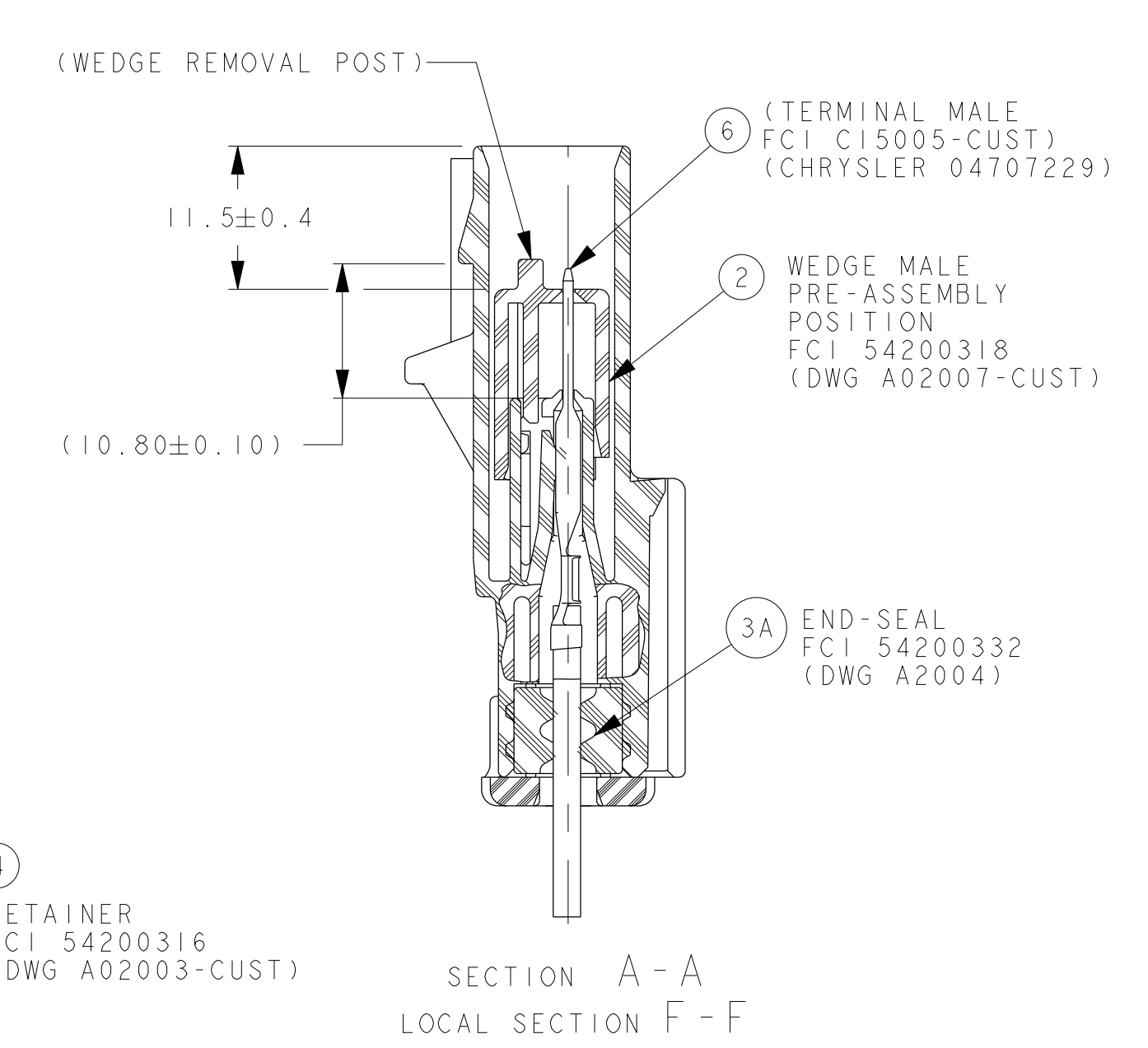
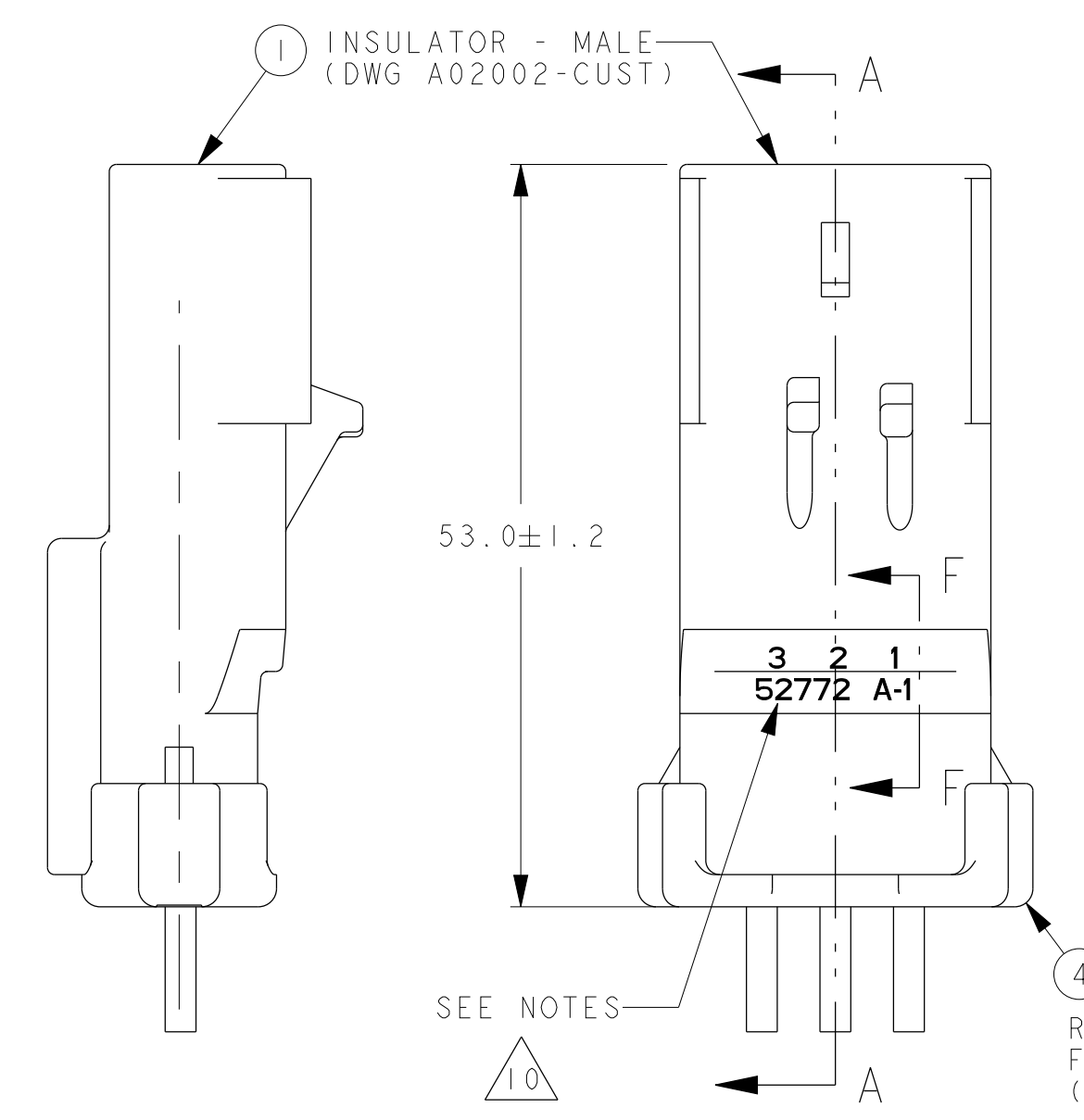
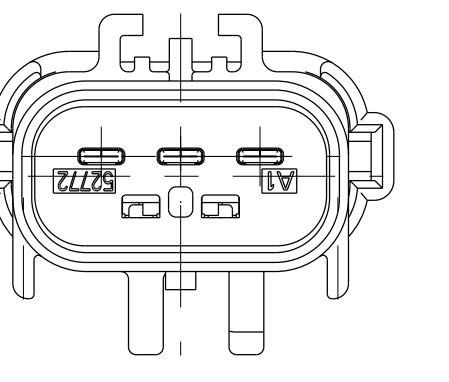
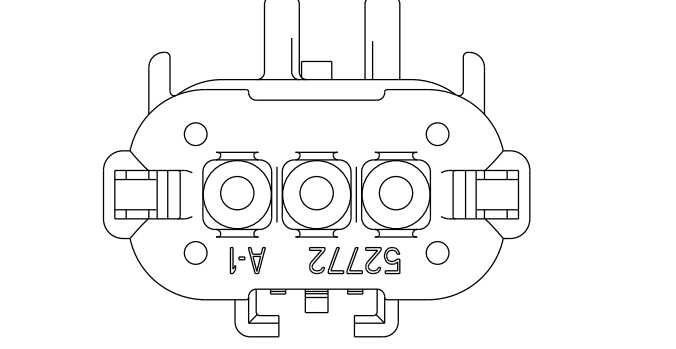


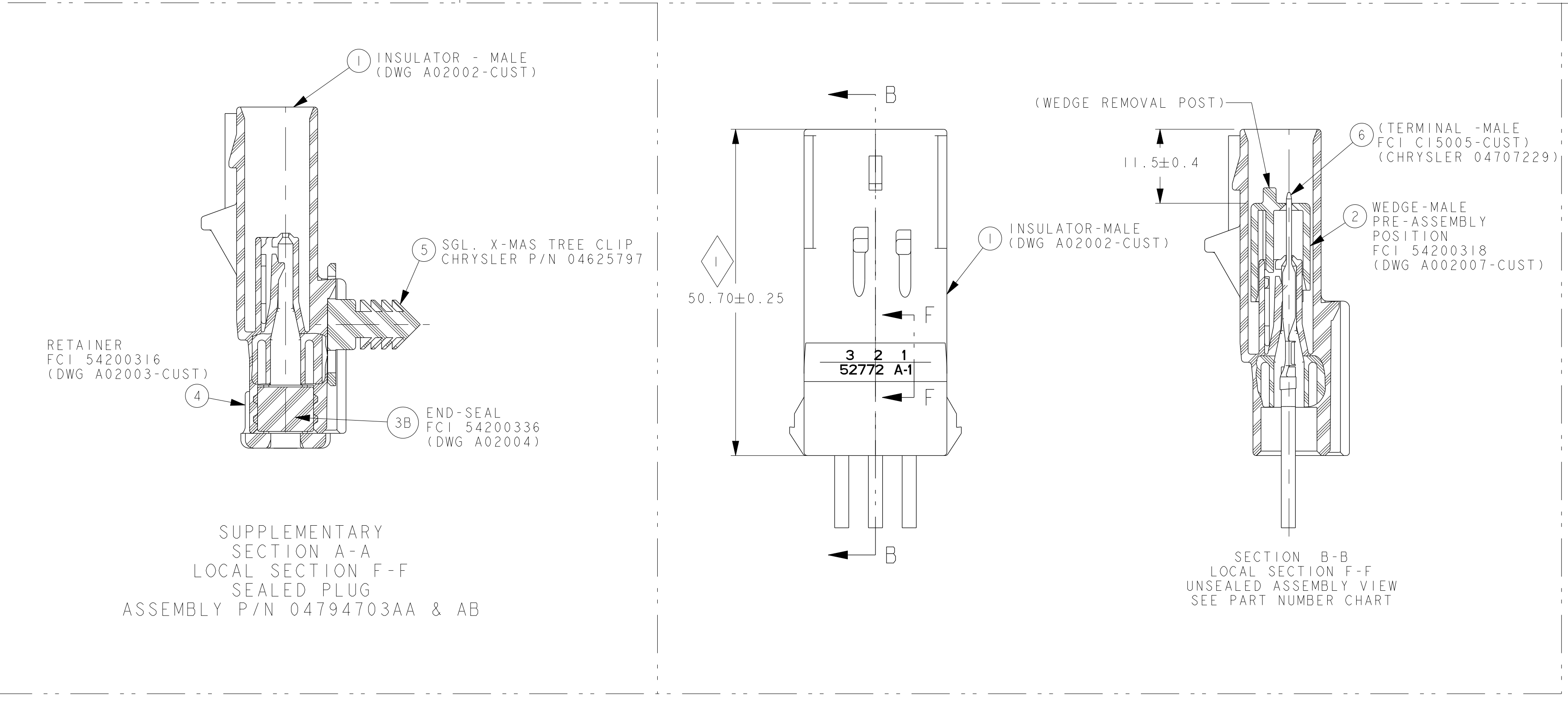
LAST 5 DIGITS OF 8 DIGIT P/N & PART CHANGE LEVEL (PCL) OR  
 LAST 6 DIGITS OF >8 DIGIT P/N & PCL  
 FIRST 6 DIGITS OF PDS P/N & PCL  
 MFG. DAILY DATE CODE & ASSY MACHINE NO. LETTERING MUST BE LEGIBLE  
 OPTIONAL



POLARIZATION OPTIONS  
 FULL SIZE VIEWS



SEALED ASSEMBLY VIEWS  
 SEE PART NUMBER CHART



SUPPLEMENTARY  
 SECTION A-A  
 LOCAL SECTION F-F  
 SEALED PLUG  
 ASSEMBLY P/N 04794703AA & AB

- NOTES:
- 1 QUALITY ASSURANCE REQUIREMENTS PER CHRYSLER PS-7300: 1 SPC DATA REQUIRED
  - 2 ENGINEERING APPROVAL OF SUPPLIER SAMPLES IS REQUIRED PRIOR TO AUTHORIZATION OF PART PRODUCTION
  - 3 CHANGES IN DESIGN COMPOSITION OR PROCESSING FROM THE PART PREVIOUSLY APPROVED FOR PART PRODUCTION REQUIRES PRIOR ENGINEERING APPROVAL
  - 4 WIRING FABRICATORS MUST PURCHASE FROM SOURCES SHOWN
  - 5 ALL THE SEALED CONNECTOR APPLICATIONS MAY BE USED WITH CHRYSLER WIRE SPEC. MS-8288 OR MS-9502 THIN WALL X-LINK 20, 18, 16&14 GAGE WIRES ONLY UNLESS OTHERWISE SPECIFIED SEE CHART (WIRE INSULATIONS Ø1.70 MIN TO Ø2.70 MAX).
  - 6 ALL NON-SEALED APPLICATIONS MAY BE USED WITH ANY WIRE INSULATION 22 GAGE THRU 10 GAGE (EXCEPT AS NOTED) PROVIDING THAT A TERMINAL GRIP FOR THAT CORE/INSULATION COMBINATION IS SHOWN ON THE MALE TERMINAL DRAWING
  - NOTE: MAX. INSULATION CRIMP WIDTH = 4.50  
 MAX. INSULATION CRIMP HEIGHT = 4.50  
 MAX. INSULATION DIA. = 4.09 (10 GA THIN WALL)
  - 7 USE WITH CAVITY PLUG CHRYSLER P/N 56038308, FCI P/N 54200005 WHEN REQ'D USE WITH DOUBLE X-MAS TREE CLIP FCI P/N 54200010 W/FORWARD STOP WHEN REQUIRED USE WITH DOUBLE X-MAS TREE CLIP CHRYSLER P/N 04707091 WHEN REQUIRED USE WITH SINGLE X-MAS TREE CLIP CHRYSLER P/N 04625797 WHEN REQUIRED USE WITH 2.80MM APEX MALE TERM PER C15005-CUST ABOUT CENTERLINE FOR 180° ORIENTATION
  - 8 DIRECT CONNECT DRAWING NO. G36003 (CHRYSLER 56038158)
  - 9 TEST METHOD PER SPEC# SAE/USCAR-2 REV.5, CONNECTOR ENGAGE & DISENGAGE WITH FEMALE LATCH DEPRESSED FORCE NOT TO EXCEED 75 N FOR THIS SYSTEM  
 WEDGE SEATING FORCES - 100 N MAX  
 X-MAS TREE CLIP INSERTION FORCES - 75 N MAX
  - 10 SUPPLIER, MOLD & CAVITY I.D. SIGNIFIES TOOL OWNERSHIP, FOR REFERENCE

- 11 ANNUAL QUALITY REQUIREMENTS: IT IS PERMISSIBLE TO PERFORM CONTINUOUS CONFORMANCE PER FCI SPECIFICATION #A0A-001 INSTEAD OF ANNUAL LAYOUT & ANNUAL PV REQUIREMENTS OF QS-9000 SECTION 2 & SAE/USCAR-2 REV.5
- 12 ALL NON-REFERENCE DIMENSIONS ARE REQUIRED
- 13 - USE INDEX A, BLACK SEALED AND UNSEALED FOR ALL AFFECTED INSULATOR CAVITIES
- 14 - CURRENT PRODUCTION TOOLING
- 15 - POINT OF LAST RUN
- 16 SERVICE TOOLING GUIDE INFORMATION PER APEX TRAINING MANUAL
- 17 MUST CONFORM TO THE FOLLOWING CHRYSLER/YNA STANDARDS:
- 18 SAE/USCAR-2 REV.5  
 PF-7300 QUALITY ASSURANCE (CHRYSLER)  
 MS-9502 SEAL APPL. 125 °C  
 MS-8288 SEAL APPL. 125 °C  
 PS-9227 DATA EXCHANGE (CHRYSLER), (GOC9-7 YNA)  
 PS-10052 INFORMATION SECURITY (CHRYSLER)
- 19 THIS DRAWING (H59011) REPLACES CHRYSLER DRAWING NUMBER 56038161 LEVEL "G" CHRYSLER DRAWING IS FOR REFERENCE ONLY FOR PREVIOUS CHANGES.

MATING PART NUMBER CHART							
D	NATURAL	UNSEALED	54200307	N/A	54200303N	N/A	
		UNSEALED	54200307	C 56038170	54200303	C 56038156	
		SEALED	54200315	N/A	54200311N	N/A	
		SEALED	54200315	C 56038166	54200311	C 56038152	
C	DK GREY	UNSEALED	54200306	N/A	54200302N	N/A	
		UNSEALED	54200306	C 56038169	54200302	C 56038155	
		SEALED	54200314	N/A	54200310N	N/A	
		SEALED	54200314	C 56038165	54200310	C 56038151	
B	LT GREY	UNSEALED	54200305	N/A	54200301N	N/A	
		UNSEALED	54200305	C 56038168	54200301	C 56038154	
		SEALED	54200313	N/A	54200309N	N/A	
		SEALED	54200313	C 56038164	54200309	C 56038150	
A	BLACK	UNSEALED	54200304	N/A	54200300N	N/A	
		UNSEALED	54200304	C 56038167	54200300	C 56038153	
		SEALED	54200312	N/A	54200308N	N/A	
		SEALED	54200312	C 56038163	54200308	C 56038149	
INDEX TYPE	COLOR	SEALED/UNSEALED	FCI	CUSTOMER	FCI	CUSTOMER	
		MALE ASSEMBLY PART NUMBERS	MATING ASSEMBLY PART NUMBER FOR REFERENCE ONLY				
		FCI	52772 OR 52772 H	SEE CHART			
		VENDOR	VENDOR CODE	P/N			

CHART-ASSEMBLY PART NUMBERS					
UNSEALED			SEALED		
FCI P/N'S	CUSTOMER P/N'S		FCI P/N'S	CUSTOMER P/N'S	
54200304	C 56038167		54200354	F574110	
54200305	C 56038168		54200364	F674110	
54200306	C 56038169				
54200307	C 56038170				
54200312	C 56038163				
54200313	C 56038164				
54200314	C 56038165				
54200315	C 56038166				
54200337	C 04794703AA				
54200367	C 04794703AB				

CHART-ASSEMBLY PART NUMBERS		
SEALED		
FCI P/N'S	CUSTOMER P/N'S	
54200354	F574110	
54200364	F674110	

REQUIRED	REQUIRED	(CLASS 3)			ITEM	PART NAME (MATERIAL)	INDEX	(CLASS 4)		REQUIRED
		FCI PART NO.	FCI DWG NO.	COLOR				FCI PART NO.	COLOR	
I	I				INSULATOR (NYLON 66)	A	54200342	DK GREEN	I	
I	I				INSULATOR (NYLON 66)	B	F974110	DK BLUE	I	
	I				INSULATOR (NYLON 66)	C	F084110	DK BROWN		I
					INSULATOR (NYLON 66)	D	-----	-----	---	---
I	I	I	I	I	WEDGE (TPA) (NYLON 66)		54200366	NATURAL	I	I
					END SEAL (SILICONE)		54200364	DK BLUE	I	I
					END SEAL (SILICONE)					
					RETAINER (NYLON 66)		54200365	NATURAL	I	I
					SGL X-MAS TREE CLIP (NYLON 66)					
3	3	3	3	3	CONNECTOR ASSEMBLY TEMPERATURE CLASS PER SAE/USCAR-2 REV 5				4	4
C	C	C	C	C	PART CHANGE LEVEL (PCL)				A	J

CUSTOMER: C CHRYSLER  
 F FORD  
 GM GENERAL MOTORS  
 CU CUMMINS

FCI - FRAMATOME CONNECTORS INTERNATIONAL  
 YNA - YAZAKI NORTH AMERICA

11946	ALL	REVISED AND REDRAWN IN PDS. P/N'S F274110 THROUGH F374110, F084110 ADDED FOR TEMPERATURE CLASS 4 APPLICATION AND TABLE UPDATED. SEE REV. 02 FOR PREVIOUS CHANGES. P/N'S 54200358 AND MATING P/N 54200350 DELETED NOT TOOLED
REV. NO.	DATE	DESCRIPTION
01	05/01/01	ISSUED FOR PRODUCTION
02	05/01/01	REVISED AND REDRAWN IN PDS. P/N'S F274110 THROUGH F374110, F084110 ADDED FOR TEMPERATURE CLASS 4 APPLICATION AND TABLE UPDATED. SEE REV. 02 FOR PREVIOUS CHANGES. P/N'S 54200358 AND MATING P/N 54200350 DELETED NOT TOOLED
03	05/01/01	REVISED AND REDRAWN IN PDS. P/N'S F274110 THROUGH F374110, F084110 ADDED FOR TEMPERATURE CLASS 4 APPLICATION AND TABLE UPDATED. SEE REV. 02 FOR PREVIOUS CHANGES. P/N'S 54200358 AND MATING P/N 54200350 DELETED NOT TOOLED
04	05/01/01	REVISED AND REDRAWN IN PDS. P/N'S F274110 THROUGH F374110, F084110 ADDED FOR TEMPERATURE CLASS 4 APPLICATION AND TABLE UPDATED. SEE REV. 02 FOR PREVIOUS CHANGES. P/N'S 54200358 AND MATING P/N 54200350 DELETED NOT TOOLED
05	05/01/01	REVISED AND REDRAWN IN PDS. P/N'S F274110 THROUGH F374110, F084110 ADDED FOR TEMPERATURE CLASS 4 APPLICATION AND TABLE UPDATED. SEE REV. 02 FOR PREVIOUS CHANGES. P/N'S 54200358 AND MATING P/N 54200350 DELETED NOT TOOLED
06	05/01/01	REVISED AND REDRAWN IN PDS. P/N'S F274110 THROUGH F374110, F084110 ADDED FOR TEMPERATURE CLASS 4 APPLICATION AND TABLE UPDATED. SEE REV. 02 FOR PREVIOUS CHANGES. P/N'S 54200358 AND MATING P/N 54200350 DELETED NOT TOOLED
07	05/01/01	REVISED AND REDRAWN IN PDS. P/N'S F274110 THROUGH F374110, F084110 ADDED FOR TEMPERATURE CLASS 4 APPLICATION AND TABLE UPDATED. SEE REV. 02 FOR PREVIOUS CHANGES. P/N'S 54200358 AND MATING P/N 54200350 DELETED NOT TOOLED
08	05/01/01	REVISED AND REDRAWN IN PDS. P/N'S F274110 THROUGH F374110, F084110 ADDED FOR TEMPERATURE CLASS 4 APPLICATION AND TABLE UPDATED. SEE REV. 02 FOR PREVIOUS CHANGES. P/N'S 54200358 AND MATING P/N 54200350 DELETED NOT TOOLED
09	05/01/01	REVISED AND REDRAWN IN PDS. P/N'S F274110 THROUGH F374110, F084110 ADDED FOR TEMPERATURE CLASS 4 APPLICATION AND TABLE UPDATED. SEE REV. 02 FOR PREVIOUS CHANGES. P/N'S 54200358 AND MATING P/N 54200350 DELETED NOT TOOLED
10	05/01/01	REVISED AND REDRAWN IN PDS. P/N'S F274110 THROUGH F374110, F084110 ADDED FOR TEMPERATURE CLASS 4 APPLICATION AND TABLE UPDATED. SEE REV. 02 FOR PREVIOUS CHANGES. P/N'S 54200358 AND MATING P/N 54200350 DELETED NOT TOOLED
11	05/01/01	REVISED AND REDRAWN IN PDS. P/N'S F274110 THROUGH F374110, F084110 ADDED FOR TEMPERATURE CLASS 4 APPLICATION AND TABLE UPDATED. SEE REV. 02 FOR PREVIOUS CHANGES. P/N'S 54200358 AND MATING P/N 54200350 DELETED NOT TOOLED
12	05/01/01	REVISED AND REDRAWN IN PDS. P/N'S F274110 THROUGH F374110, F084110 ADDED FOR TEMPERATURE CLASS 4 APPLICATION AND TABLE UPDATED. SEE REV. 02 FOR PREVIOUS CHANGES. P/N'S 54200358 AND MATING P/N 54200350 DELETED NOT TOOLED
13	05/01/01	REVISED AND REDRAWN IN PDS. P/N'S F274110 THROUGH F374110, F084110 ADDED FOR TEMPERATURE CLASS 4 APPLICATION AND TABLE UPDATED. SEE REV. 02 FOR PREVIOUS CHANGES. P/N'S 54200358 AND MATING P/N 54200350 DELETED NOT TOOLED
14	05/01/01	REVISED AND REDRAWN IN PDS. P/N'S F274110 THROUGH F374110, F084110 ADDED FOR TEMPERATURE CLASS 4 APPLICATION AND TABLE UPDATED. SEE REV. 02 FOR PREVIOUS CHANGES. P/N'S 54200358 AND MATING P/N 54200350 DELETED NOT TOOLED
15	05/01/01	REVISED AND REDRAWN IN PDS. P/N'S F274110 THROUGH F374110, F084110 ADDED FOR TEMPERATURE CLASS 4 APPLICATION AND TABLE UPDATED. SEE REV. 02 FOR PREVIOUS CHANGES. P/N'S 54200358 AND MATING P/N 54200350 DELETED NOT TOOLED
16	05/01/01	REVISED AND REDRAWN IN PDS. P/N'S F274110 THROUGH F374110, F084110 ADDED FOR TEMPERATURE CLASS 4 APPLICATION AND TABLE UPDATED. SEE REV. 02 FOR PREVIOUS CHANGES. P/N'S 54200358 AND MATING P/N 54200350 DELETED NOT TOOLED
17	05/01/01	REVISED AND REDRAWN IN PDS. P/N'S F274110 THROUGH F374110, F084110 ADDED FOR TEMPERATURE CLASS 4 APPLICATION AND TABLE UPDATED. SEE REV. 02 FOR PREVIOUS CHANGES. P/N'S 54200358 AND MATING P/N 54200350 DELETED NOT TOOLED
18	05/01/01	REVISED AND REDRAWN IN PDS. P/N'S F274110 THROUGH F374110, F084110 ADDED FOR TEMPERATURE CLASS 4 APPLICATION AND TABLE UPDATED. SEE REV. 02 FOR PREVIOUS CHANGES. P/N'S 54200358 AND MATING P/N 54200350 DELETED NOT TOOLED
19	05/01/01	REVISED AND REDRAWN IN PDS. P/N'S F274110 THROUGH F374110, F084110 ADDED FOR TEMPERATURE CLASS 4 APPLICATION AND TABLE UPDATED. SEE REV. 02 FOR PREVIOUS CHANGES. P/N'S 54200358 AND MATING P/N 54200350 DELETED NOT TOOLED
20	05/01/01	REVISED AND REDRAWN IN PDS. P/N'S F274110 THROUGH F374110, F084110 ADDED FOR TEMPERATURE CLASS 4 APPLICATION AND TABLE UPDATED. SEE REV. 02 FOR PREVIOUS CHANGES. P/N'S 54200358 AND MATING P/N 54200350 DELETED NOT TOOLED
21	05/01/01	REVISED AND REDRAWN IN PDS. P/N'S F274110 THROUGH F374110, F084110 ADDED FOR TEMPERATURE CLASS 4 APPLICATION AND TABLE UPDATED. SEE REV. 02 FOR PREVIOUS CHANGES. P/N'S 54200358 AND MATING P/N 54200350 DELETED NOT TOOLED
22	05/01/01	REVISED AND REDRAWN IN PDS. P/N'S F274110 THROUGH F374110, F084110 ADDED FOR TEMPERATURE CLASS 4 APPLICATION AND TABLE UPDATED. SEE REV. 02 FOR PREVIOUS CHANGES. P/N'S 54200358 AND MATING P/N 54200350 DELETED NOT TOOLED
23	05/01/01	REVISED AND REDRAWN IN PDS. P/N'S F274110 THROUGH F374110, F084110 ADDED FOR TEMPERATURE CLASS 4 APPLICATION AND TABLE UPDATED. SEE REV. 02 FOR PREVIOUS CHANGES. P/N'S 54200358 AND MATING P/N 54200350 DELETED NOT TOOLED

# Mouser Electronics

Authorized Distributor

Click to View Pricing, Inventory, Delivery & Lifecycle Information:

[Aptiv:](#)

[54200304-B](#) [54200315-B](#) [54200314](#) [54200315](#) [54200305-B](#) [54200354-B](#) [54200314-B](#) [54200304](#) [54200305](#)  
[54200354](#)