

THIS DRAWING IS UNPUBLISHED.

RELEASED FOR PUBLICATION

AUG ,2006.

© COPYRIGHT - BY TYCO ELECTRONICS CORPORATION. ALL RIGHTS RESERVED.

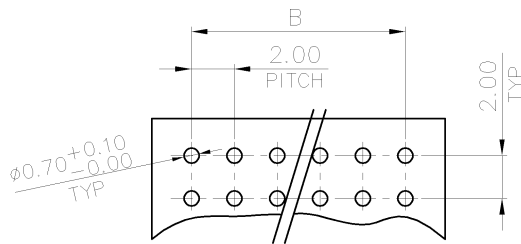
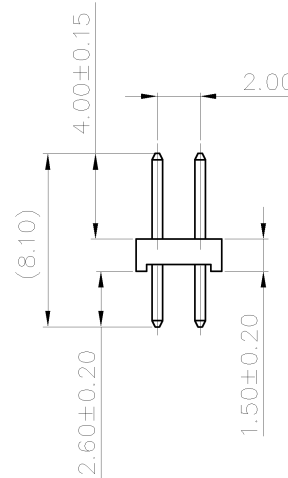
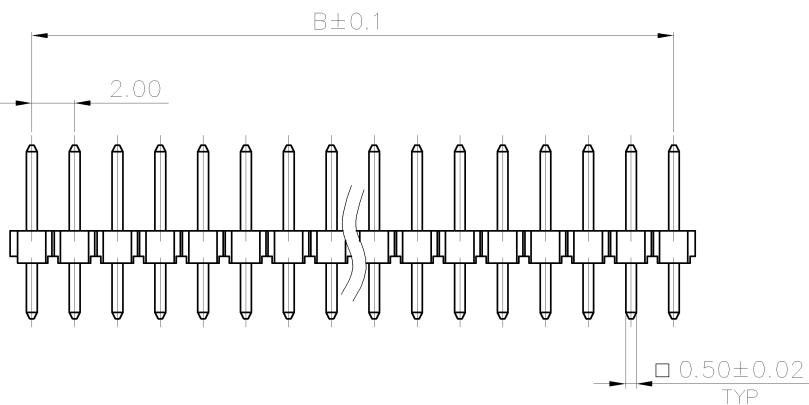
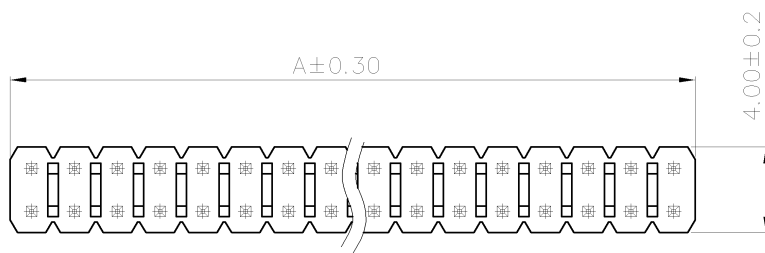
LOC DIST DW

REVISIONS

P	LTR	DESCRIPTION	DATE	DWN	APVD
C2		REVISED (ECR-11-015593)	27JUL11	JL	WK

NOTE :

- MATERIAL :
HOUSING : PA6T WITH 30% GF, UL94V-0, BLACK COLOR.
CONTACT : BRASS.
- FINISH :
CONTACT: 0.2um [8μ"] MIN. GOLD PLATED ON CONTACT AREA
2.54um [100μ"] MIN. MATTE TIN PLATED ON SOLDER TAIL,
1.27um [50μ"] MIN. NICKEL UNDERPLATED OVER ALL
- APPLICATION :
SOLDERTAIL LENGTH 2.6 FOR PCB THICKNESS 1.6±0.1
- WAVE SOLDER CAPABLE TO 265°C PER TE SPEC 109-202, CONDITION B.



RECOMMENDED PCB LAYOUT TOLERANCE: ±0.05; THICKNESS: 1.0~1.6MM

KEYING POS.	DIMENSIONS	POSITION NUMBER	PART NUMBER
2	10.00	8.00	10
	80.00	78.00	80
	78.00	76.00	78
	76.00	74.00	76
	74.00	72.00	74
	72.00	70.00	72
	70.00	68.00	70
	68.00	66.00	68
	66.00	64.00	66
	64.00	62.00	64
	62.00	60.00	62
	60.00	58.00	60
	58.00	56.00	58
	56.00	54.00	56
	54.00	52.00	54
	52.00	50.00	52
	50.00	48.00	50
	48.00	46.00	48
	46.00	44.00	46
	44.00	42.00	44
	42.00	40.00	42
	40.00	38.00	40
	38.00	36.00	38
	36.00	34.00	36
	34.00	32.00	34
	32.00	30.00	32
	30.00	28.00	30
	28.00	26.00	28
	26.00	24.00	26
	24.00	22.00	24
	22.00	20.00	22
	20.00	18.00	20
	18.00	16.00	18
	16.00	14.00	16
	14.00	12.00	14
	12.00	10.00	12
	10.00	8.00	10
	8.00	6.00	8
	6.00	4.00	6
	4.00	2.00	4
			1734508-4

THIS DRAWING IS A CONTROLLED DOCUMENT.

DIMENSIONS: MM TOLERANCES UNLESS OTHERWISE SPECIFIED:
 0 PLC ± 0.5
 1 PLC ± 0.2
 2 PLC ± 0.1
 3 PLC ± 0.05
 4 PLC ± ± 3'

MATERIAL SEE NOTE FINISH SEE NOTE

DWN S. CHIEN 02DEC2008
 CHK S. CHIEN 02DEC2008
 APVD W. KODAMA 02DEC2008

PRODUCT SPEC 108-57197
 QUALIFICATION TEST REPORT 501-57197
 WEIGHT -

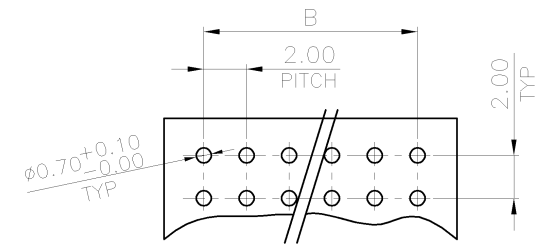
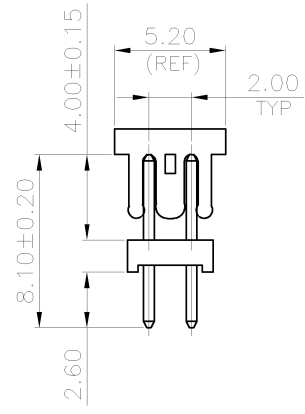
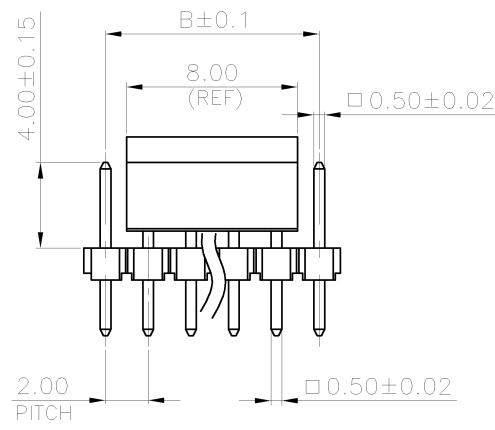
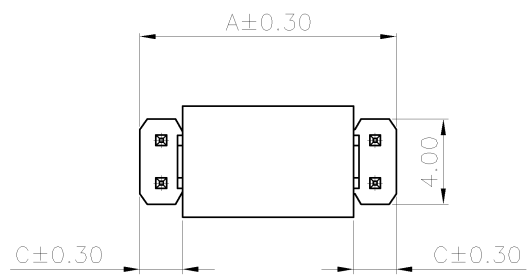
NAME AMPMODU 2.0mm PITCH POST HDR, VERTICAL, MOUNT TYPE
 SIZE A3 CAGE CODE 00779 DRAWING NO C=1734508 RESTRICTED TO -

CUSTOMER DRAWING SCALE - SHEET 1 OF 4 REV C2

STE TE Connectivity

THIS DRAWING IS UNPUBLISHED. RELEASED FOR PUBLICATION
 © COPYRIGHT 2011 BY TYCO ELECTRONICS CORPORATION. ALL RIGHTS RESERVED.

LOC DW	DIST	REVISIONS			
P	LTR	DESCRIPTION	DATE	DWN	APVD
		SEE SHEET 1.			



RECOMMENDED PCB LAYOUT
 TOLERANCE: ± 0.05 ; THICKNESS: 1.0~1.6MM

- NOTE:
- MATERIAL:
 HOUSING: PA6T WITH 30% GF, UL 94V-0, BLACK COLOR.
 CAP: LCP WITH 30% GF, UL 94V-0. BLACK COLOR.
 CONTACT: BRASS.
 - FINISH :
 CONTACT:
 0.0254um [10u"] MIN. GOLD PLATED ON CONTACT AREA
 2.54um [100u"] MIN. MATTE-TIN PLATED ON SOLDER TAIL,
 1.27um [50u"] MIN. NICKEL UNDERPLATED OVER ALL
 - WAVE SOLDER CAPABLE TO 265°C PER TEST SPEC 109-202, CONDITION B.

3.00	14.00	12.00	14	9-1734508-4
2.00	12.00	10.00	12	9-1734508-2
C	A	B	POSITION NUMBER	PART NUMBER
DIMENSIONS				

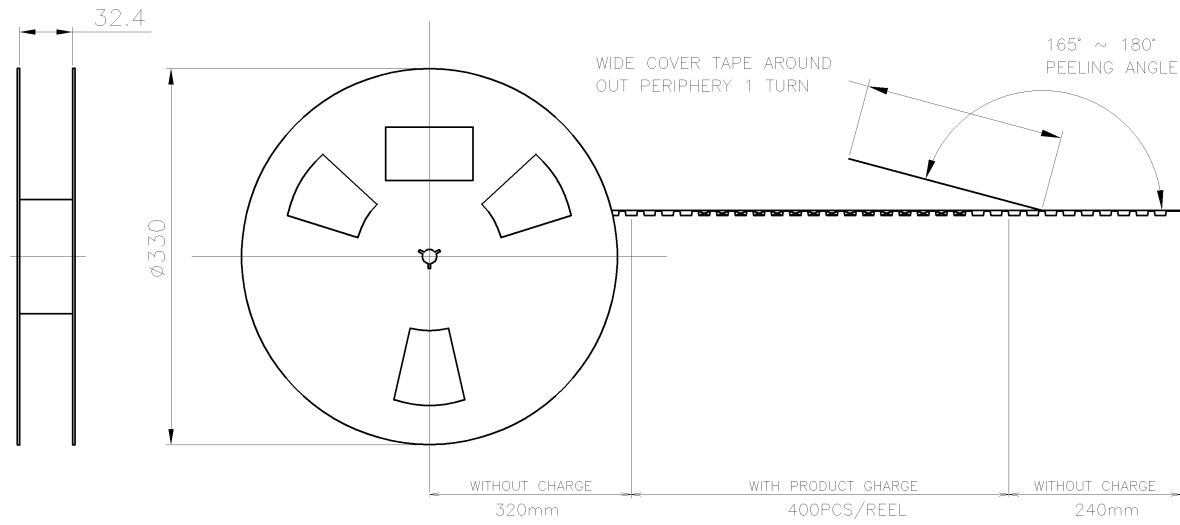
THIS DRAWING IS A CONTROLLED DOCUMENT.		DWN	-		
DIMENSIONS: mm		CHK	-		
TOLERANCES UNLESS OTHERWISE SPECIFIED:		APVD	-		
0 PLC $\pm -$		PRODUCT SPEC	-		
1 PLC ± 0.3		APPLICATION SPEC	-		
2 PLC ± 0.2		WEIGHT	-		
3 PLC ± 0.15		SCALE	-		
4 PLC $\pm -$		SHEET	2 of 4		
ANGLES $\pm -$		REV	C2		
MATERIAL SEE NOTE		FINISH SEE NOTE	-		
-		RESTRICTED TO	-		
-		SIZE	A3		
-		CAGE CODE	00779		
-		DRAWING NO	C-1734508		
CUSTOMER DRAWING		-			



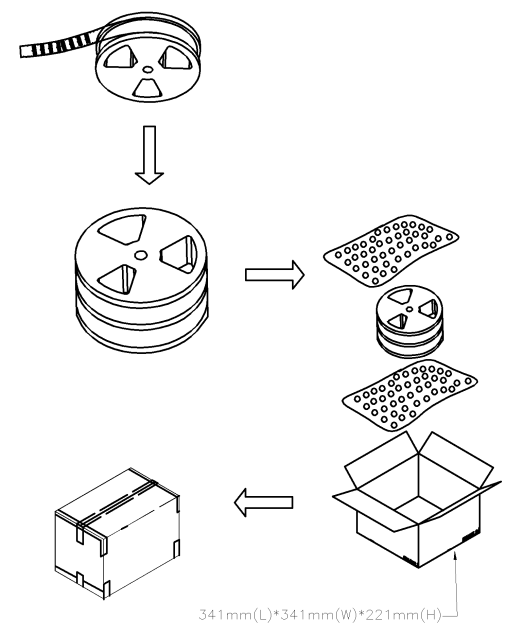
AMPMODU, 2.0mm PITCH, POST HDR, VERTICAL, MOUNT TYPE

THIS DRAWING IS UNPUBLISHED. RELEASED FOR PUBLICATION
 © COPYRIGHT 2011 BY TYCO ELECTRONICS CORPORATION. ALL RIGHTS RESERVED.

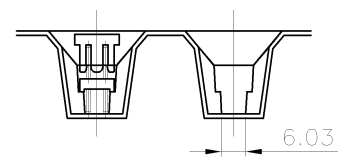
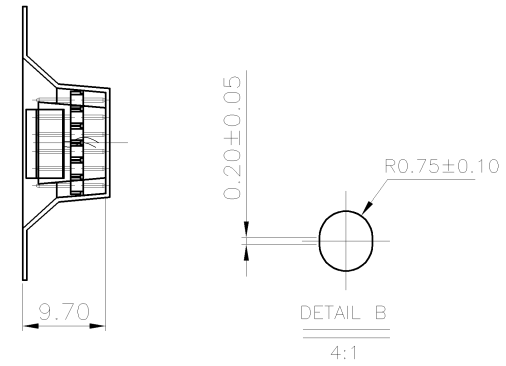
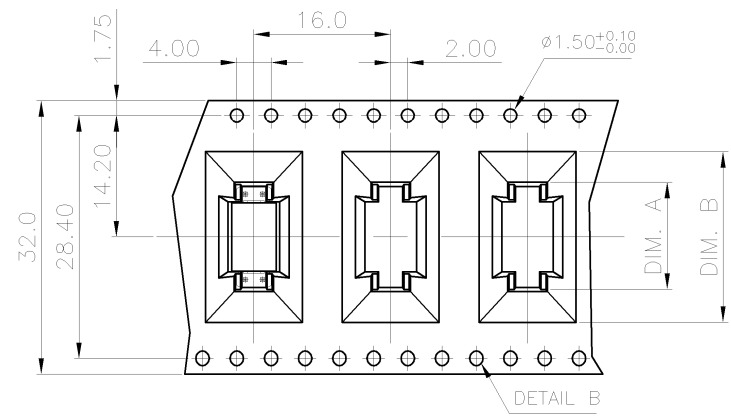
LOC DW	DIST	REVISIONS			
P	LTR	DESCRIPTION	DATE	DWN	APVD
		SEE SHEET 1.			



- NOTES :
- MATERIAL :
 COVER TAPE : PT+ABS, COLOR: TRANSPARENT
 CARRIER TAPE : PS
 REEL : PS
 SHIPPING BOX: CORRUGATED FIBER
 - PEELING RESISTANCE : 10gf~130gf (for 12mm~56mm)
 - PEELING SPEED : 300mm/MINUTES



22.00	14.80	3.70KG	1.03KG	2000	400	14	9-1734508-4
20.00	12.80	3.51KG	0.94KG	2000	400	12	9-1734508-2
DIM. B	DIM. A	GROSS WEIGHT	NET WEIGHT	PCS/BOX	PCS/REEL	POS	PART NO.



THIS DRAWING IS A CONTROLLED DOCUMENT.

DIMENSIONS: mm	TOLERANCES UNLESS OTHERWISE SPECIFIED: 0 PLC ± - 1 PLC ± 0.3 2 PLC ± 0.2 3 PLC ± 0.15 4 PLC ± - ANGLES ± 3'	DWN CHK APVD PRODUCT SPEC APPLICATION SPEC WEIGHT	NAME AMPMODU, 2.0mm PITCH, POST HDR, VERTICAL, MOUNT TYPE
MATERIAL	FINISH	SIZE A3	CAGE CODE 00779
		DRAWING NO C-1734508	RESTRICTED TO
CUSTOMER DRAWING		SCALE	SHEET 4 of 4 REV C2

Mouser Electronics

Authorized Distributor

Click to View Pricing, Inventory, Delivery & Lifecycle Information:

[TE Connectivity:](#)

[8-1734508-0](#)