

PLEASE CHECK WWW.MOLEX.COM FOR LATEST PART INFORMATION

Part Number: [0859993255](#)
Status: **Active**
Overview: Magnetic and Modular Jacks/Plugs
Description: Blind Plug Dust Cover for 8 Position Modular Jack

Documents:

[3D Model](#) [RoHS Certificate of Compliance \(PDF\)](#)
[Drawing \(PDF\)](#)

General

Product Family	Accessories
Series	90075
Component Type	Dust Cover
Overview	<u>Magnetic and Modular Jacks/Plugs</u>
Product Name	RJ45
UPC	800754859783

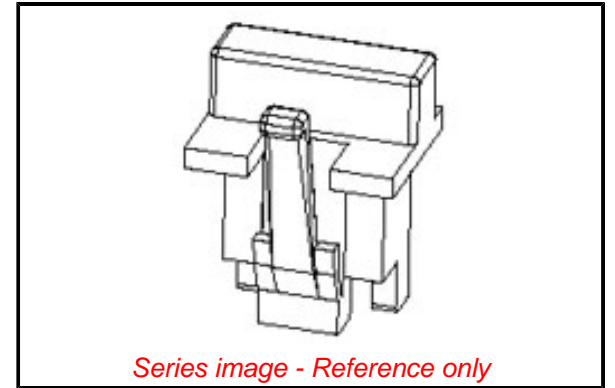
Physical

Circuits (Loaded)	8
Circuits (maximum)	8
Net Weight	1.350/g
Packaging Type	Bag
Temperature Range - Operating	-40° to +80°C

Material Info

Reference - Drawing Numbers

Sales Drawing	SD-85999-056-001
---------------	------------------



EU ELV

Not Relevant

EU RoHS

Compliant

REACH SVHC

Not Contained Per -
ED/71/2019 (16 July
2019)

Halogen-Free

Status

Low-Halogen

For more information, please visit [Contact US](#)

China ROHS

ELV

RoHS Phthalates

China RoHS

Green Image

Not Relevant

Not Contained

Search Parts in this Series

[90075 Series](#)

Use With

8 Position Modular Jacks

Mouser Electronics

Authorized Distributor

Click to View Pricing, Inventory, Delivery & Lifecycle Information:

[Molex:](#)

[85999-3255](#)