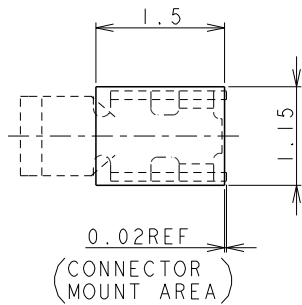
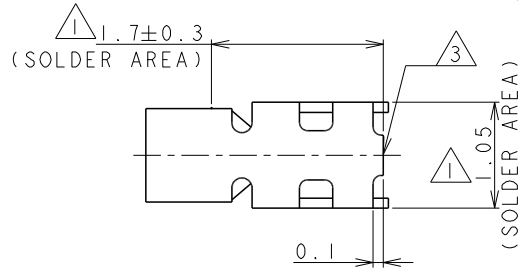
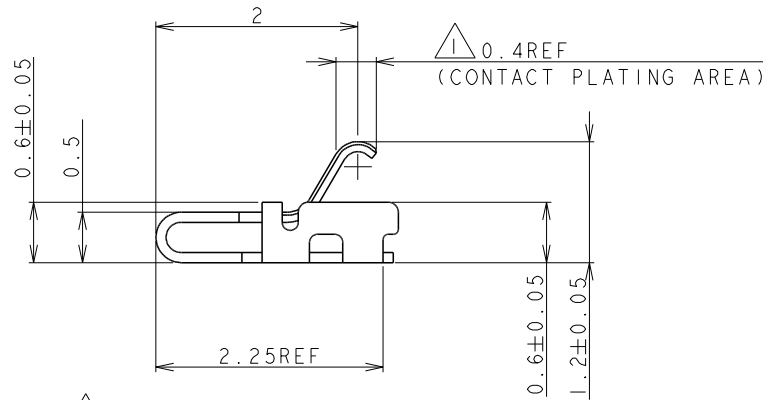
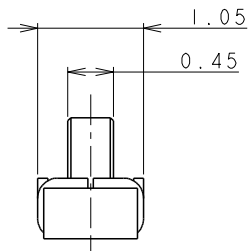
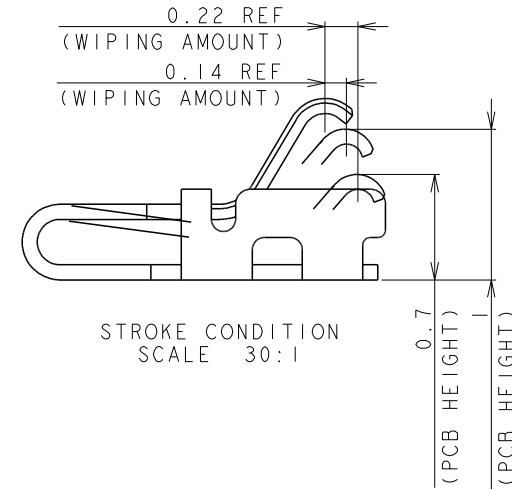
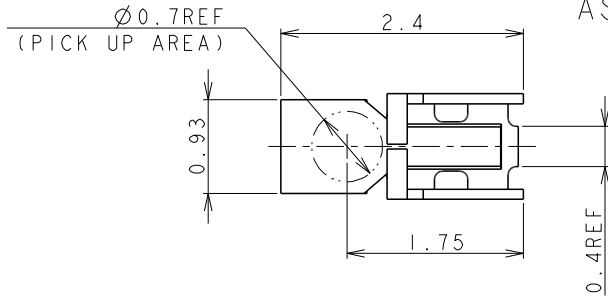


THIS DRAWING IS UNPUBLISHED. RELEASED FOR PUBLICATION 20
 © COPYRIGHT 20 BY - ALL RIGHTS RESERVED.

LOC J DIST

REVISIONS			DATE	DWN	APVD
P	LTR	DESCRIPTION			
	A	REVISED	01 JUL 2010	Y. K	Y. N
	B	REVISED PER ECR-12-020867	24 JAN 2013	F. L	S. Y
	B1	REVISED PER ECR-13-008919	03 JUN 2013	R. W	S. Y
	B2	REVISED PER ECR-16-017382	12 JUN 2017	J. J	W. H

AS SHOWN: - 1 & - 3



PCB LAYOUT (REFERENCE)

NOTES:

- △ FINISH (PLATING SPECIFICATION)
 Ni UNDER PLATING : 0.0008mm TO 0.002mm
 Au PLATING (CONTACT PLATING AREA) : 0.00025mm TO 0.0005mm
 Au PLATING (SOLDER AREA) : 0.00005mm TO 0.0005mm
- △ MATERIAL : COPPER ALLOY, THK.=0.1mm
- △ CUTTING BURR : 0.05mm MAX.
- 4 DISUSED PACKAGING MATERIAL : DRYPACK AND BAKING PROCESS.
- △ POST-PLATING SPECIFICATION:
 Ni UNDER PLATING: 0.8um TO 2.0um
 Au PLATING (CONTACT PLATING): 0.3um MIN
 Au PLATING (SOLDER PLATING): 0.01um TO 0.2um
- 6 NORMAL FORCE AT 1.0mm HEIGHT IS 0.3N MIN
 NORMAL FORCE AT 0.7mm HEIGHT IS 1.1N MAX

△	△	2134078-3
△	△	2134078-1
FINISH	MATERIAL	PART NUMBER

THIS DRAWING IS A CONTROLLED DOCUMENT.

DIMENSIONS:	TOLERANCES UNLESS OTHERWISE SPECIFIED:
mm	± 0.15
0-PLC	±
1-PLC	± 0.5
2-PLC	± 0.13
3-PLC	± 0.013
4-PLC	± 0.0001
ANGLES	± 3°

DWN	Y. KUDO	22 APR 2010
CHK	C. OHASHI	22 APR 2010
APVD	Y. NAKAZAWA	22 APR 2010
PRODUCT SPEC		
APPLICATION SPEC		
WEIGHT	4.4 mg	
Customer Drawing		

		TE Connectivity	
		NAME	
- SHIELD FINGER 1210		SIZE	CAGE CODE
		DRAWING NO	RESTRICTED TO
		A300779	C=2134078
SCALE		20:1	SHEET 1 OF 2
		REV	B2

4

3

2

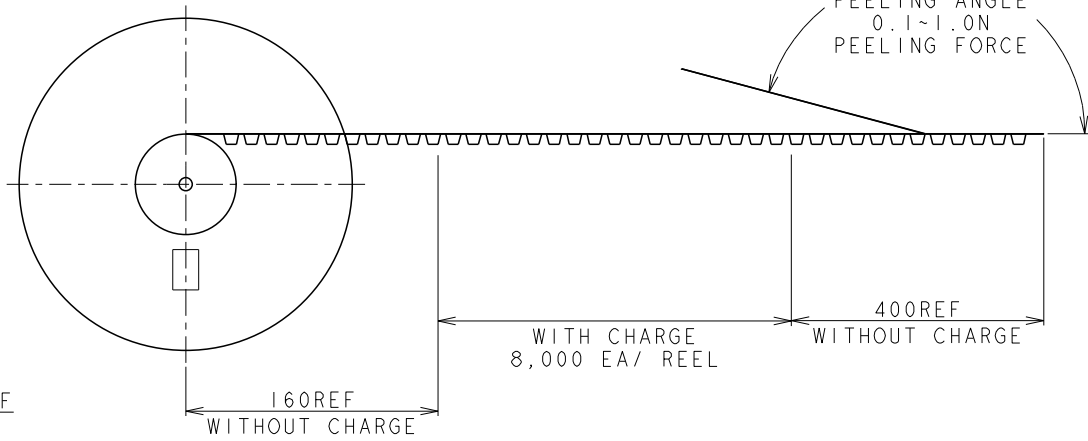
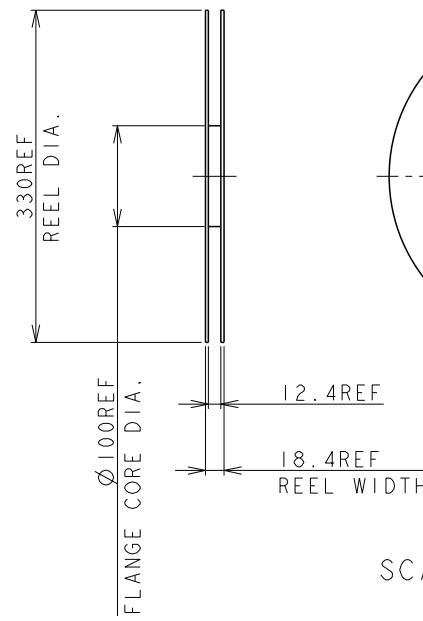
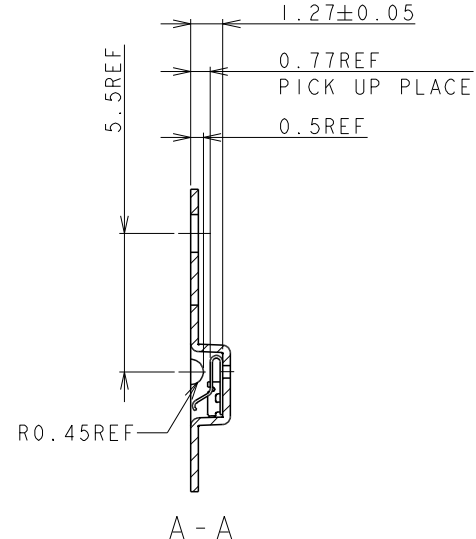
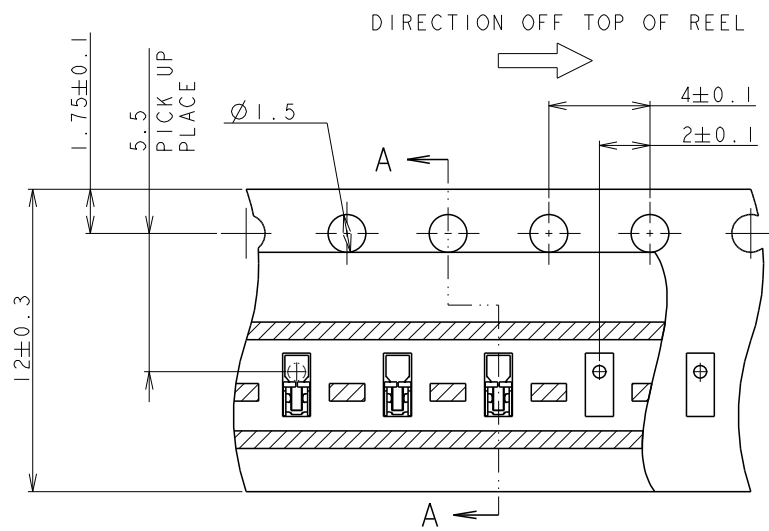
1

THIS DRAWING IS UNPUBLISHED. RELEASED FOR PUBLICATION 20
© COPYRIGHT 20 BY - ALL RIGHTS RESERVED.

LOC J DIST

REVISIONS

P	LTR	DESCRIPTION	DATE	DWN	APVD
-	-	SEE SHEET 1	-	-	-

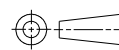


SCALE 1:5

THIS DRAWING IS A CONTROLLED DOCUMENT.

DIMENSIONS: mm

TOLERANCES UNLESS OTHERWISE SPECIFIED: ±0.2



- 0-PLC ±
- 1-PLC ±0.5
- 2-PLC ±0.13
- 3-PLC ±0.013
- 4-PLC ±0.0001
- ANGLES ±3°

MATERIAL

FINISH

DWN Y. KUDO 22APR2010
CHK C. OHASHI 22APR2010
APVD Y. NAKAZAWA 22APR2010

NAME

SHIELD FINGER 1210

PRODUCT SPEC
APPLICATION SPEC

SIZE CAGE CODE DRAWING NO

A 300779 C=2134078

WEIGHT

4.4 mg

Customer Drawing



SCALE 20:1 SHEET 2 OF 2 REV B2

Mouser Electronics

Authorized Distributor

Click to View Pricing, Inventory, Delivery & Lifecycle Information:

[TE Connectivity:](#)

[2134078-1](#)