

# Customer Information Sheet

DRAWING No.: M22-634XX42

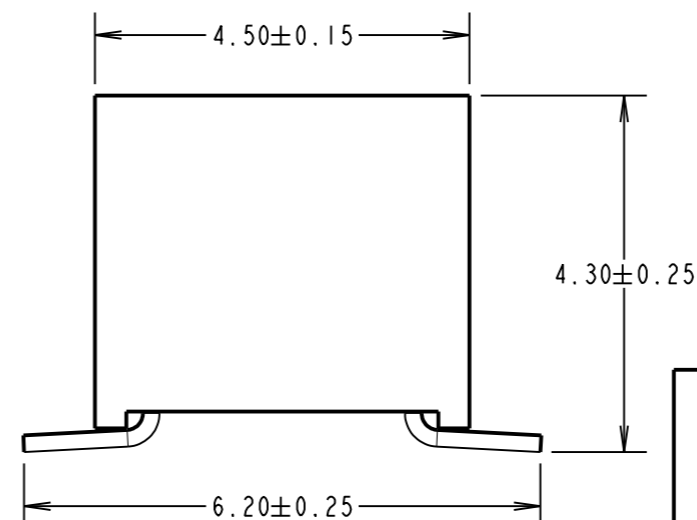
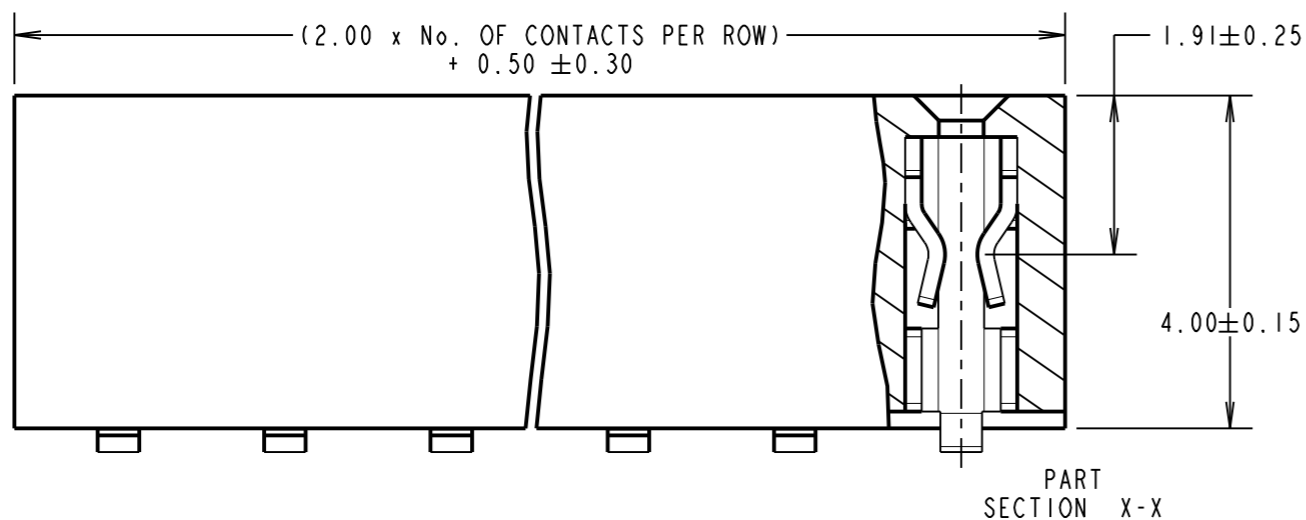
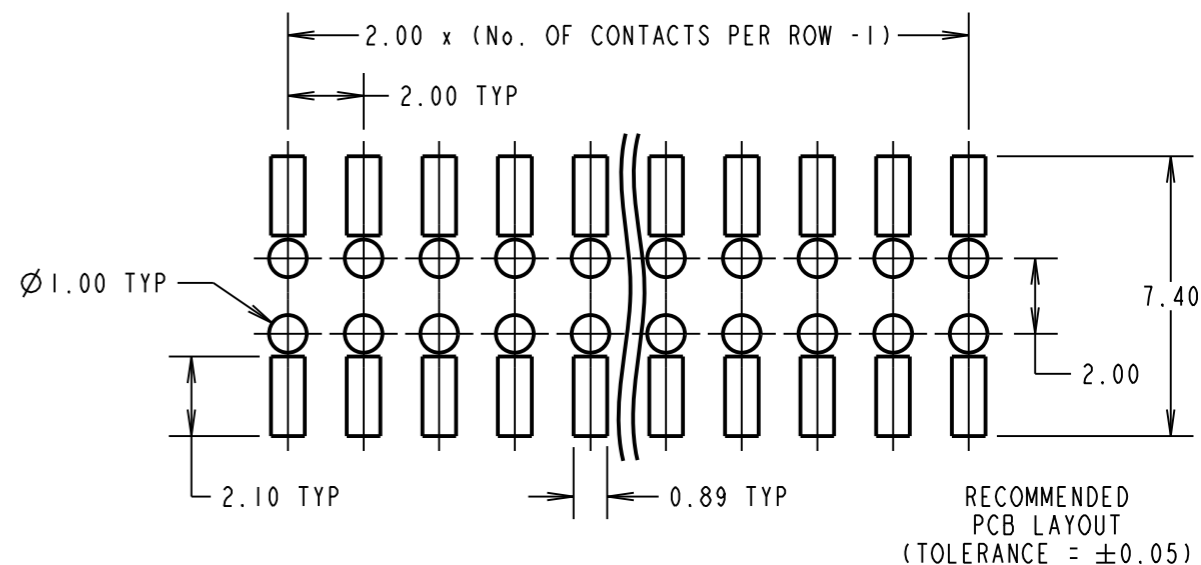
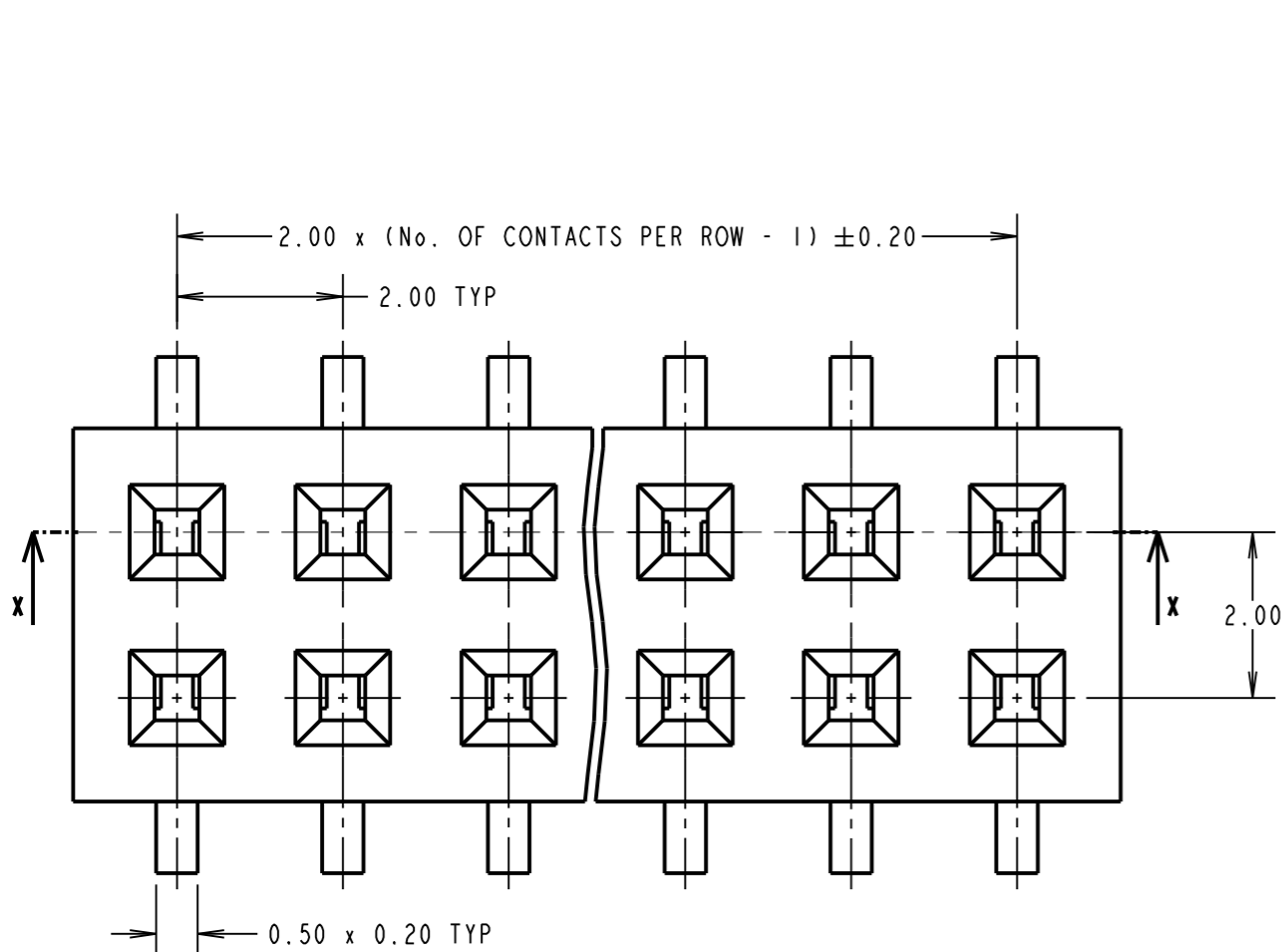
IF IN DOUBT - ASK

©

NOT TO SCALE

THIRD ANGLE PROJECTION

ALL DIMENSIONS IN mm



**SPECIFICATIONS:**  
**MATERIAL:**  
 Moulding = PA9T, UL94V-0, BLACK  
 CONTACT = PHOSPHOR BRONZE  
**FINISH:**  
 NICKEL ALL OVER, 100% TIN ON TAILS,  
 GOLD FLASH ON CONTACT AREA.  
**ELECTRICAL:**  
 CURRENT RATING = 2A  
 INSULATION RESISTANCE = 1000MΩ MIN.  
 CONTACT RESISTANCE = 20mΩ MAX.  
 VOLTAGE PROOF = 500V AC  
**MECHANICAL:**  
 INSERTION FORCE = 1.96N MAX  
 WITHDRAWAL FORCE = 0.20N MIN.  
 DURABILITY = 300 CYCLES  
**ENVIRONMENTAL:**  
 OPERATING TEMPERATURE = -40°C TO +105°C  
**PACKING:**  
 TUBE  
 FOR COMPLETE MECHANICAL/ELECTRICAL SPECIFICATION,  
 SEE COMPONENT SPECIFICATION CO18XX (LATEST ISSUE)

ORDER CODE:  
**M22-634XX42**

No. OF CONTACTS PER ROW: \_\_\_\_\_  
 03 TO 20

FINISH: \_\_\_\_\_  
 42 = SELECTIVE GOLD + 100% TIN

MSP	16	14.08.17	20547
NAME	ISS.	DATE	C/NOTE
APPROVED:		M.PERREN	
CHECKED:		S.BENNETT	
DRAWN:		W.J.BOURNE	
CUSTOMER REF.:			
ASSEMBLY DRG:			

NOTES:  
 1. COPLANARITY OF CONTACTS TO BE 0.10mm MAX.

**HARWIN**  
 www.harwin.com  
 technical@harwin.com

THIS DRAWING AND ANY INFORMATION OR DESCRIPTIVE MATTER SET OUT HEREON ARE CONFIDENTIAL AND COPYRIGHT PROPERTY OF THE HARWIN GROUP AND MUST NOT BE DISCLOSED, LOANED, COPIED OR USED FOR MANUFACTURING, TENDERING OR FOR ANY OTHER PURPOSE WITHOUT THEIR WRITTEN PERMISSION.

**TOLERANCES**  
 X. = ±1mm  
 X.X = ±0.25mm  
 X.XX = ±0.10mm  
 X.XXX = ±0.01mm  
 ANGLES = ±5°  
 UNLESS STATED

**MATERIAL:**  
 SEE ABOVE  
**FINISH:**  
 SEE ABOVE  
**S/AREA:**  
 mm<sup>2</sup>

**TITLE:**  
 2mm PITCH DIL SMT  
 LOW PROFILE SKT ASSEMBLY  
**DRAWING NUMBER:**  
**M22-634XX42**  
 SHT 2 OF 2