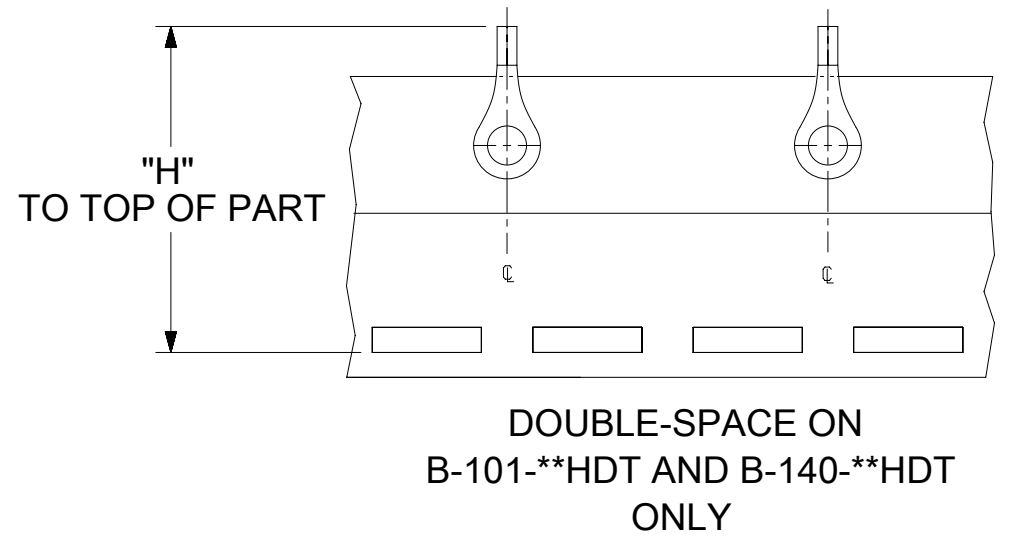
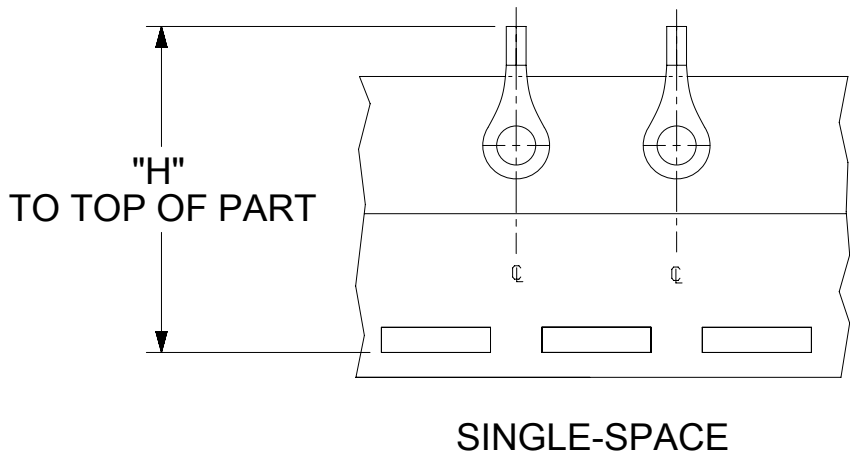
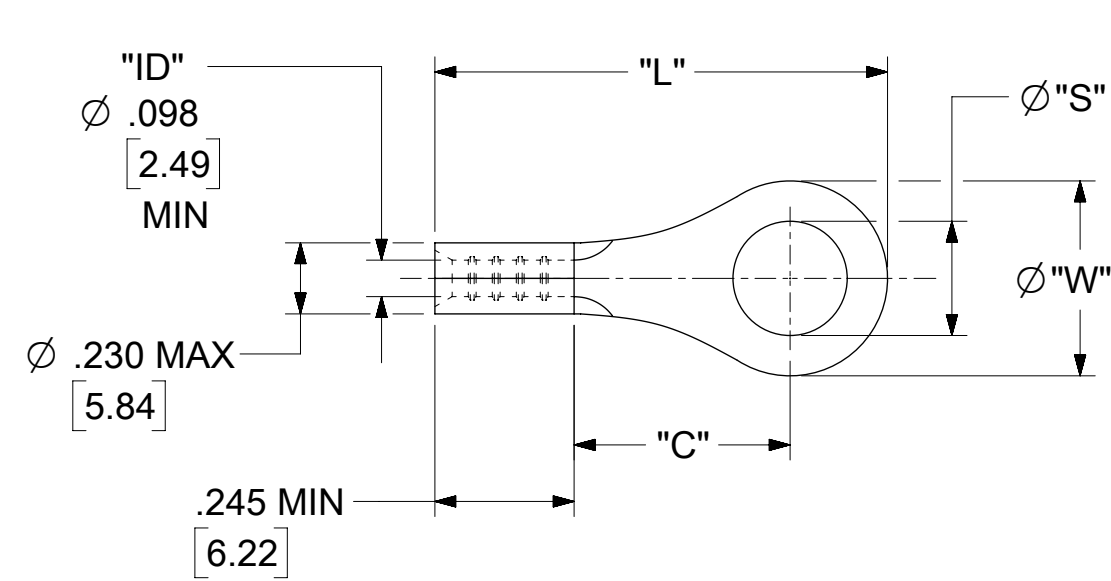


	10	9	8	7	6	5	4	3	2	1
	MATERIAL NO. LOOSE PIECE	ENG. NO.	MATERIAL NO. TAPE MOUNTED	ENG. NO. TAPE MOUNTED	STUD SIZE	"S" ±.003 (0.08)	"W" MAX	"C" MIN	"L" MAX	"H" ±.020 (0.51)
F	190440137	B-101-12HD	190440138	B-101-12HDT	12	.515 (13.10)	.760 (19.30)	.611 (15.52)	1.280 (32.51)	1.556 (39.52)
	190440139	B-101-14HD	-----	-----	14	.265 (6.73)				
	190440140	B-101-38HD	-----	-----	38	.390 (9.91)				
	190440141	B-101-56HD	-----	-----	56	.328 (8.33)				
	190440142	B-101-76HD	190440229	B-101-76HDT	76	.453 (11.51)				
E	190440161	B-128-06HD	-----	-----	6	.146 (3.71)	.385 (9.78)	.303 (7.70)	.785 (19.94)	
	190440162	B-128-08HD	-----	-----	8	.173 (4.39)				
	190440163	B-128-10HD	190440164	B-128-10HDT	10	.198 (5.03)				
	190440166	B-130-10HD	190440022	B-130-10HDT	10	.198 (5.03)	.540 (13.72)	.393 (9.98)	.952 (24.18)	1.234 (31.34)
	190440167	B-130-14HD	190440023	B-130-14HDT	14	.265 (6.73)				
	190440168	B-130-56HD	190440024	B-130-56HDT	56	.328 (8.33)				
	190440172	B-136-04HD	-----	-----	4	.119 (3.02)				
	190440173	B-136-06HD	190440026	B-136-06HDT	6	.146 (3.71)	.292 (7.42)	.303 (7.70)	.741 (18.82)	
	190440174	B-136-08HD	190440027	B-136-08HDT	8	.173 (4.39)				
	190440180	B-140-10HD	-----	-----	10	.198 (5.03)				
D	190440182	B-140-14HD	<del>190440183</del> A1	<del>B-140-14HDT</del>	14	.265 (6.73)	.598 (15.19)	.475 (12.07)	1.056 (26.82)	1.426 (36.22)
	190440184	B-140-38HD	190440185	B-140-38HDT	38	.390 (9.91)				
	190440186	B-140-56HD	190440187	B-140-56HDT	56	.328 (8.33)				



NOTE(S):  
 1. MATERIAL: COPPER .050" (1.27 THK)  
 2. PLATING: ELECTROPLATE TIN.  
 WIRE SIZE: 16-14 AWG  
 1.0 - 2.5 MM<sup>2</sup>

SYMBOLS	THIS DRAWING CONTAINS INFORMATION THAT IS PROPRIETARY TO MOLEX ELECTRONIC TECHNOLOGIES, LLC AND SHOULD NOT BE USED WITHOUT WRITTEN PERMISSION		CURRENT REV DESC: MIGR & UPDATE DIM	
	DIMENSION UNITS	SCALE		
	IN/MM	NTS		
	GENERAL TOLERANCES (UNLESS SPECIFIED)			
▽ = 0	4 PLACES ±	MM	INCH	EC NO: 613281
▽ = 0	3 PLACES ±	± 0.005		DRWN: DMYRICK 2019/03/05
▽ = 0	2 PLACES ±	± 0.13	± 0.01	CHK'D: JMACNEIL 2019/03/08
▽ = 0	1 PLACE ±	± 0.25		APPR: JMACNEIL 2019/03/08
▽ = 0	0 PLACES ±			INITIAL REVISION:
□ = 0	ANGULAR TOL	± 0.5°		DRWN: DMYRICK 2004/05/07
■ = 0	DRAFT WHERE APPLICABLE MUST REMAIN WITHIN DIMENSIONS		THIRD ANGLE PROJECTION	DRAWING
▽ = 0			B-SIZE	SERIES
			19044	MATERIAL NUMBER
			SEE CHART	CUSTOMER
			GENERAL MARKET	SHEET NUMBER
			1 OF 1	

# Mouser Electronics

Authorized Distributor

Click to View Pricing, Inventory, Delivery & Lifecycle Information:

[Molex:](#)

[19044-0141](#) [19044-0185](#)