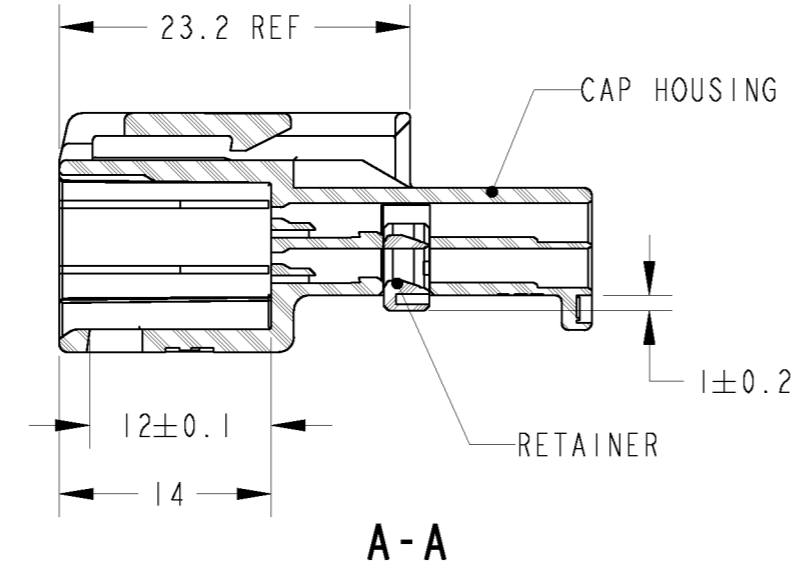
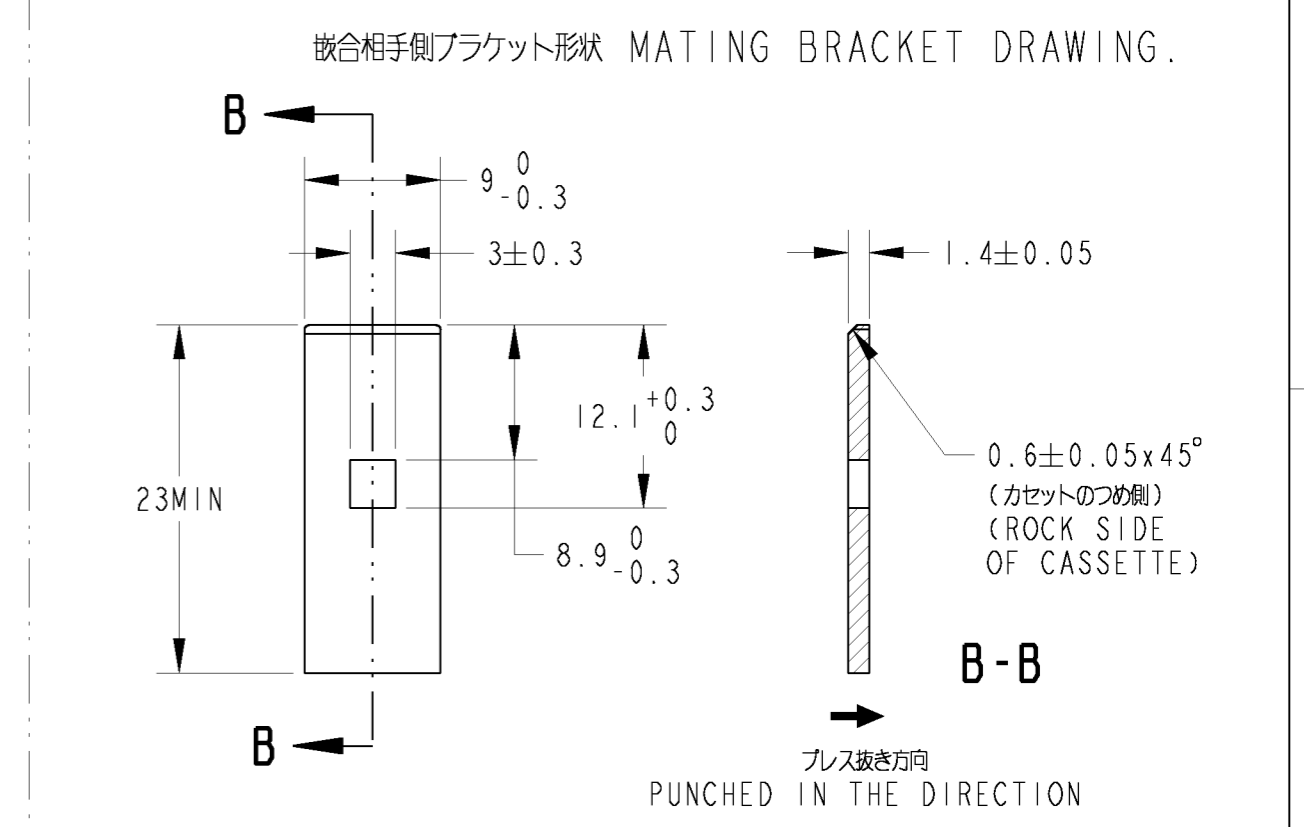
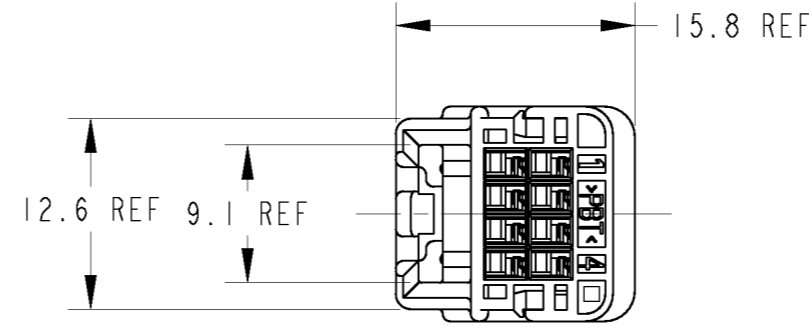
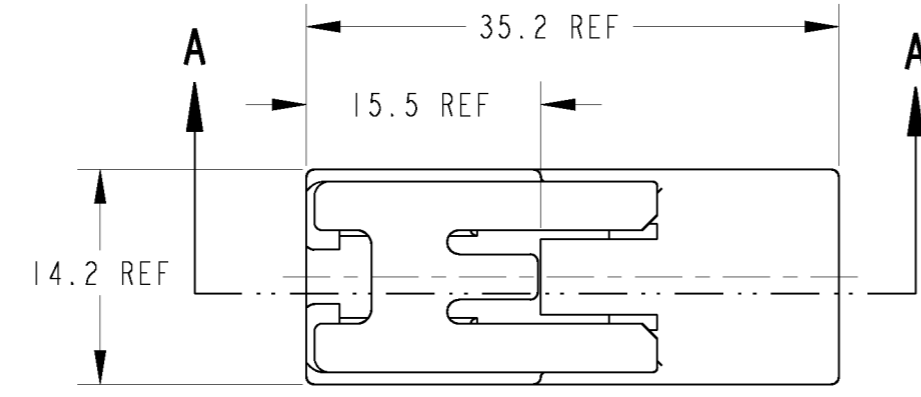
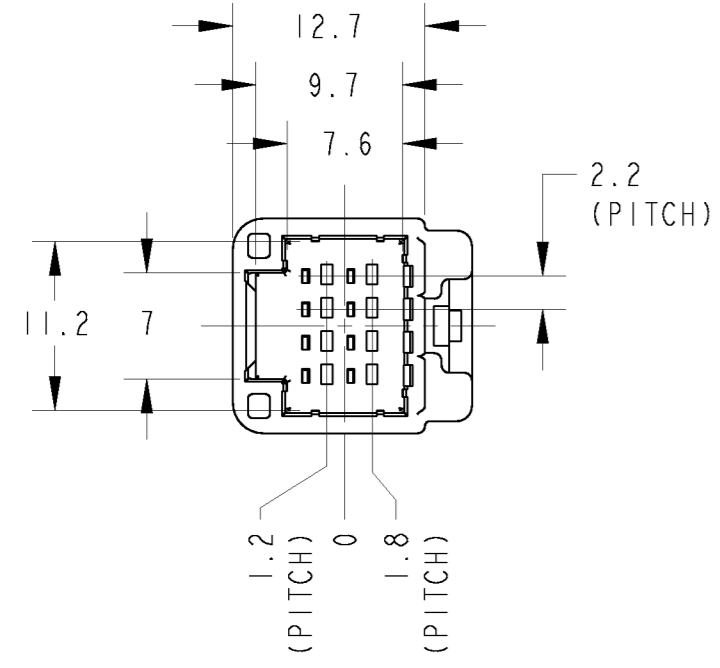
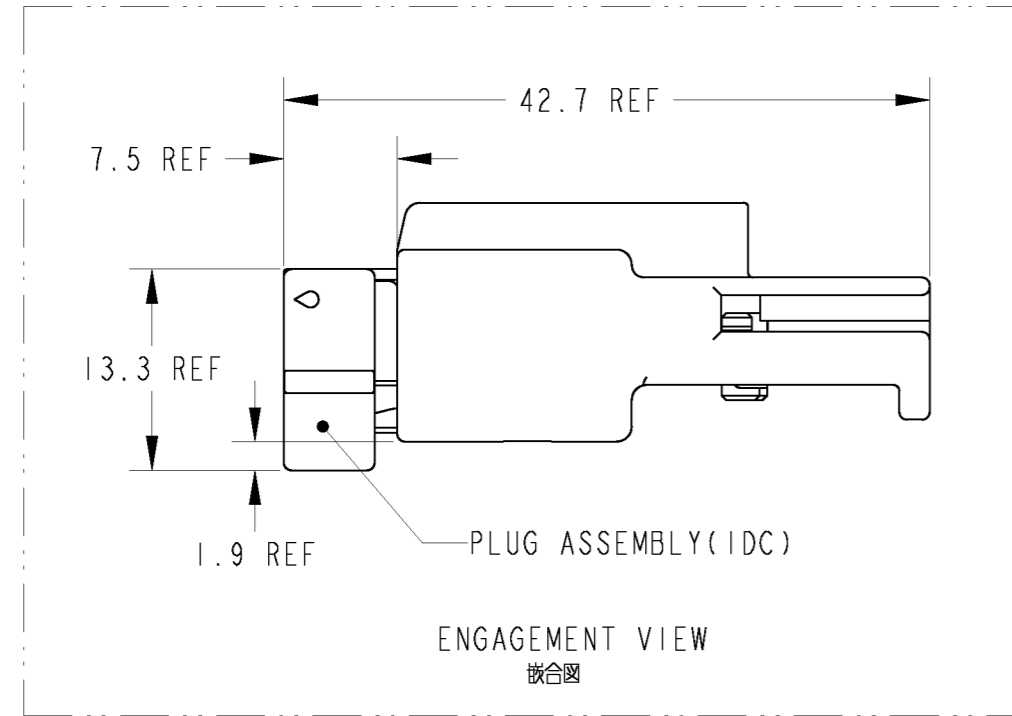


THIS DRAWING IS UNPUBLISHED. RELEASED FOR PUBLICATION 20
 (C) COPYRIGHT 20 ALL RIGHTS RESERVED.

LOC	DIST	REVISIONS					
		P	LTR	DATE	DWN	APVD	
J	-	P		REVISED PER ECO-11-005140	09APR2011	RK	HMR



1. キャップハウジングにダブルロックプレートを取付して出荷される。
 2. 適用端子型番; 1376109, 1473818, 1565406
 3. 取扱説明書; 411-5996
 4. 嵌合相手型番; 1473800 & 1473802 (IDC) 1376352
1. PLATE SHOULD BE SET TO THE PRE-ASSEMBLY POSITION WITHIN THE CAP HOUSING WHEN SHIPPED TO THE CUSTOMER
 2. APPLIED TERMINAL; 1376109, 1473818, 1565406
 3. INSTRUCTION SHEET No; 411-5996
 4. PART NUMBER OF PLUG HOUSING TO BE MATED; 1473800 & 1473802 (IDC), 1376352



PAPER BOX ダンボール	PLASTIC BAG ビニール袋	NATURAL	1473793-1
OUTER 外装	INNER 内装	COLOR	PART NUMBER
PACKING STYLE 梱包形態			

THIS DRAWING IS A CONTROLLED DOCUMENT.		DWN S. AMEMIYA	16OCT01	 TE Connectivity	NAME 8POSITION CAP ASSEMBLY 025 IDC CONNECTOR
DIMENSIONS: 単位: 英 mm		CHK N. SAI	16OCT01		
TOLERANCES UNLESS OTHERWISE SPECIFIED: 一般公差: ±0.3 0-PLC ± 1-PLC ±0.3 2-PLC ±0.10 3-PLC ±0.001 4-PLC ±0.0001 ANGLES ±3°00'		APVD N. SAI	16OCT01		
MATERIAL 材料 PBT		PRODUCT SPEC 108-5660 APPLICATION SPEC 114-5276, 114-5291	WEIGHT 3.6		
SEE TABLE		CUSTOMER DRAWING	SCALE 2:1	SHEET 1	REV P

Mouser Electronics

Authorized Distributor

Click to View Pricing, Inventory, Delivery & Lifecycle Information:

[TE Connectivity:](#)

[1473793-1](#)