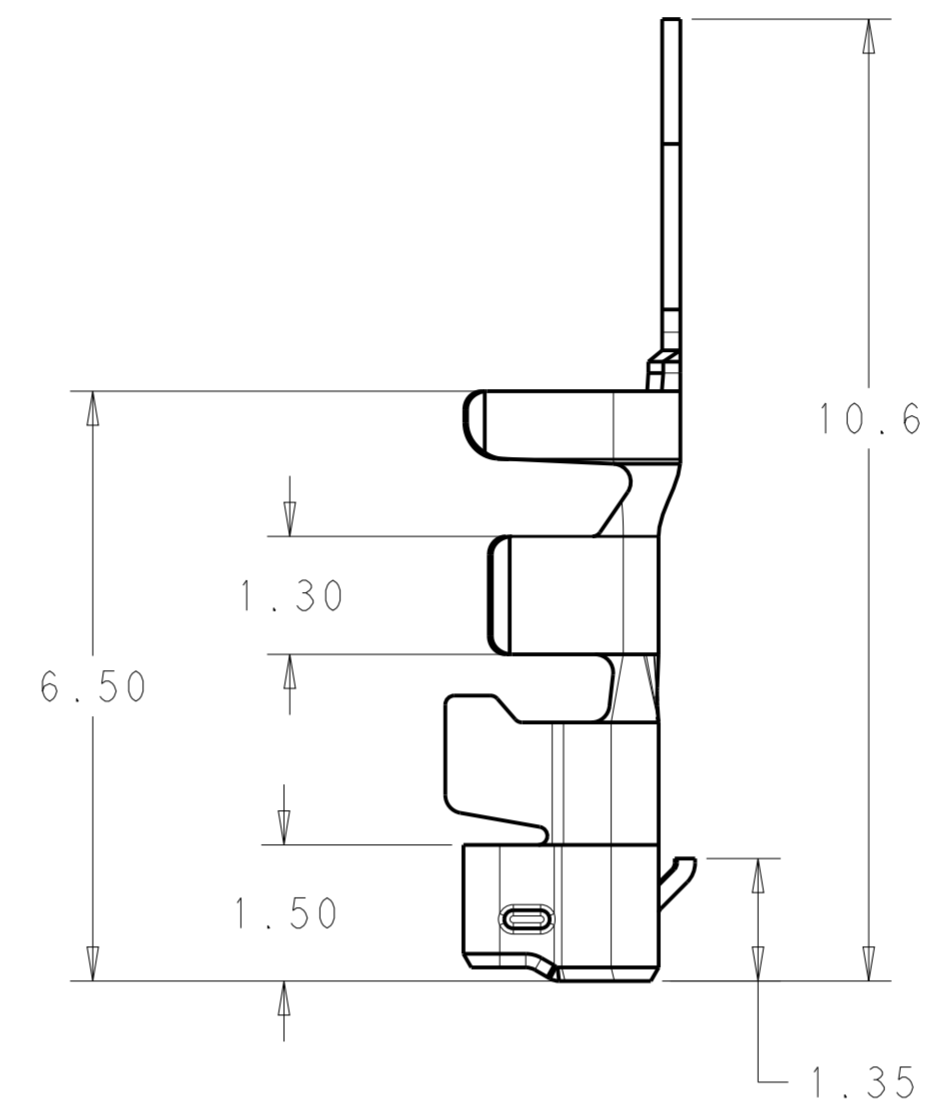
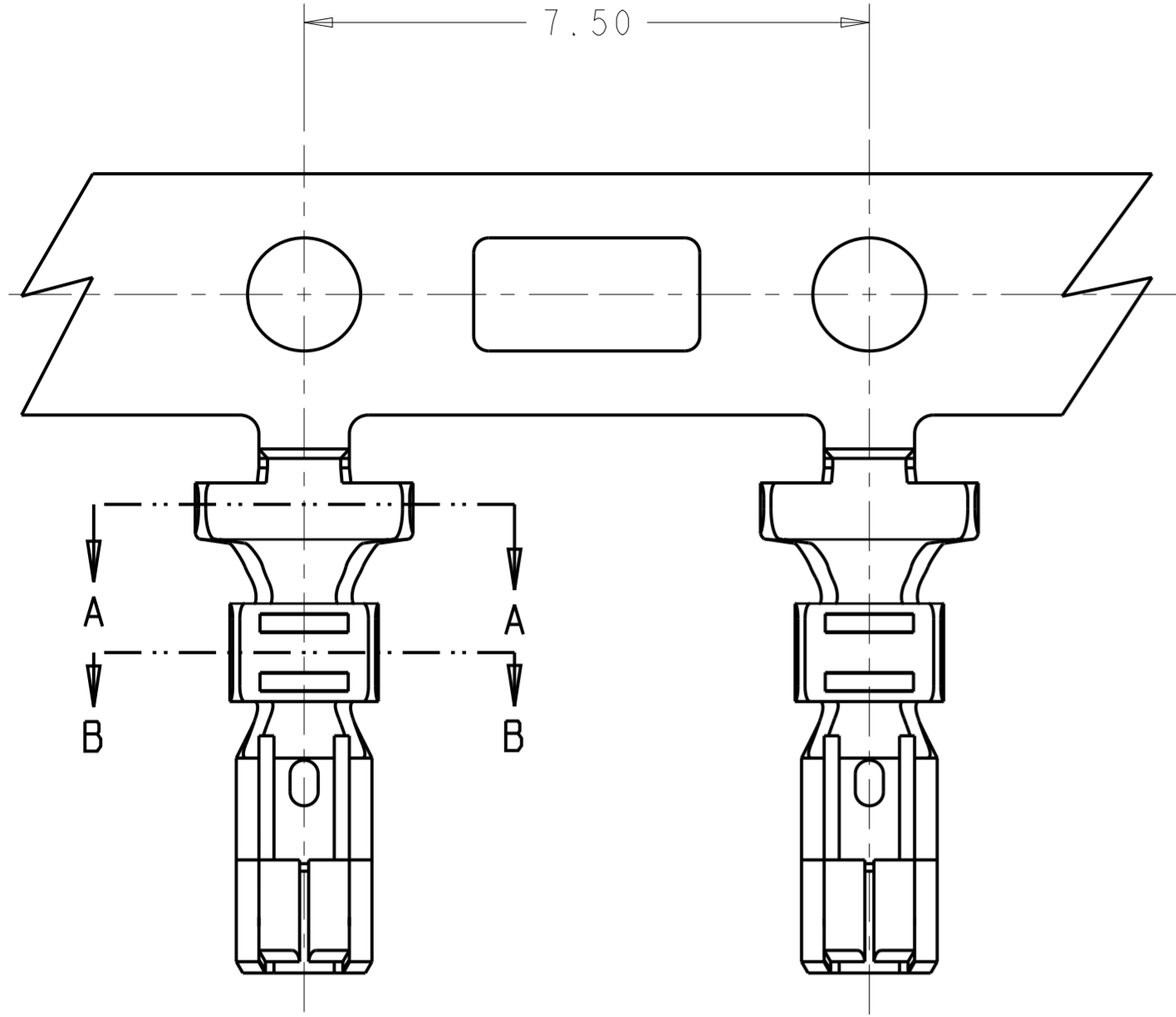
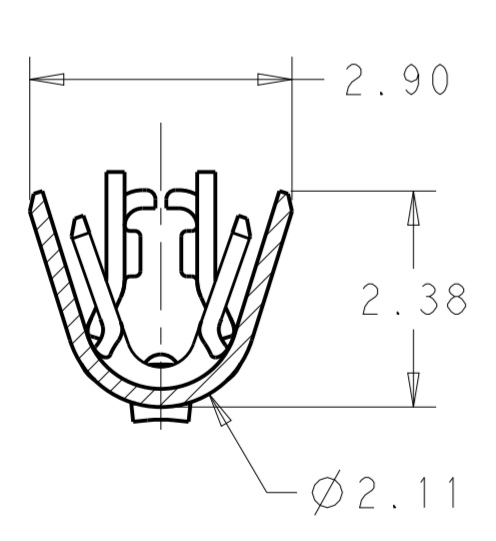
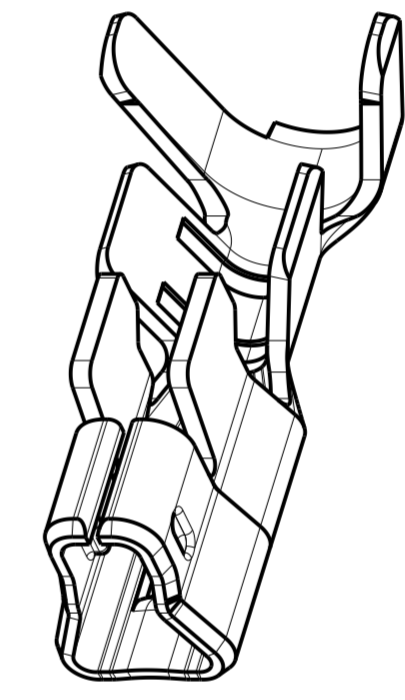


THIS DRAWING IS UNPUBLISHED. RELEASED FOR PUBLICATION 2011  
 © COPYRIGHT 2011 ALL RIGHTS RESERVED.

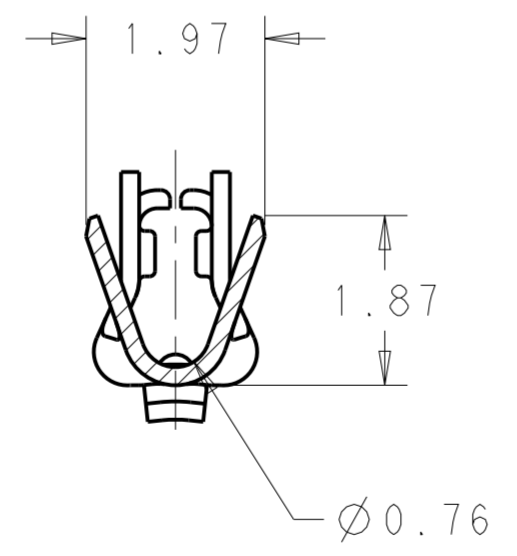
REVISIONS				
P	LTR	DESCRIPTION	DATE	APVD
B		REVISED PER ECR-14-000588	29JAN2014	NK TM



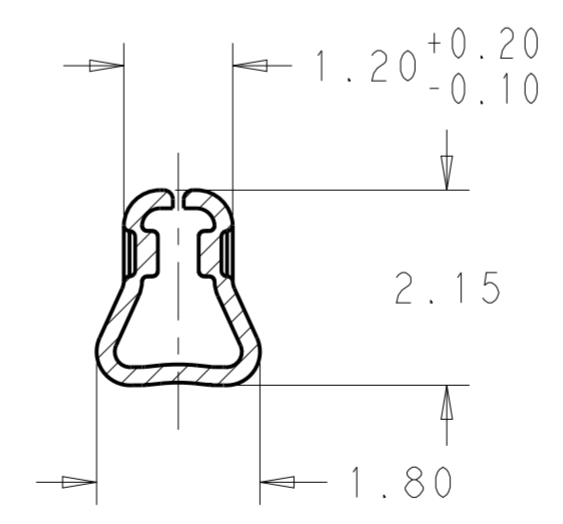
- 1 MATERIAL: PHOSPHOR BRONZE
- 2 FINISH: PRE-TIN
- 3. DESIGNED FOR USE IN HOUSINGS 1969442-( ) OR 2110992-( ).
- 4. CONTACTS COATED WITH ANTI-FRETTING LUBRICANT.
- 5. CONTACT IS RoHS COMPLIANT.
- 6. WIRE RANGE: 0.20-0.56mm2 [24-20 AWG] STRANDED.
- 7. INSULATION RANGE: 1.3-1.9 [.051-.075]
- 8. THIS PRODUCT HAS NOT COMPLETED VALIDATION TESTING



SECTION A-A



SECTION B-B



SECTION C-C

1744423-1  
PART NUMBER

THIS DRAWING IS A CONTROLLED DOCUMENT.		DWN KIRAN HOLAL 27DEC2011	TE Connectivity	
DIMENSIONS: mm		CHK SAMUEL MACE 27DEC2011		
TOLERANCES UNLESS OTHERWISE SPECIFIED:		APVD SAMUEL MACE 27DEC2011	NAME CONTACT, ECONOMY POWER 2.5 RECEPTACLE	
0 PLC ±- 1 PLC ±0.5 2 PLC ±0.3 3 PLC ±- 4 PLC ±- ANGLES ±1° FINISH		PRODUCT SPEC 108-2418	SIZE A200779	DRAWING NO C-1744423
MATERIAL - 1		APPLICATION SPEC 114-13315	RESTRICTED TO -	SCALE 14:1
Customer Drawing		WEIGHT -	SHEET 1 OF 1	REV B

# Mouser Electronics

Authorized Distributor

Click to View Pricing, Inventory, Delivery & Lifecycle Information:

[TE Connectivity:](#)

[1744423-1](#) [1744423-1 \(Mouser Reel\)](#) [1744423-1 \(Cut Strip\)](#)