

# Customer Information Sheet

DRAWING No.: M80-851XXXX

SHEET 2 OF 2

IF IN DOUBT - ASK

©

NOT TO SCALE

THIRD ANGLE PROJECTION

ALL DIMENSIONS IN mm

**SPECIFICATIONS:**

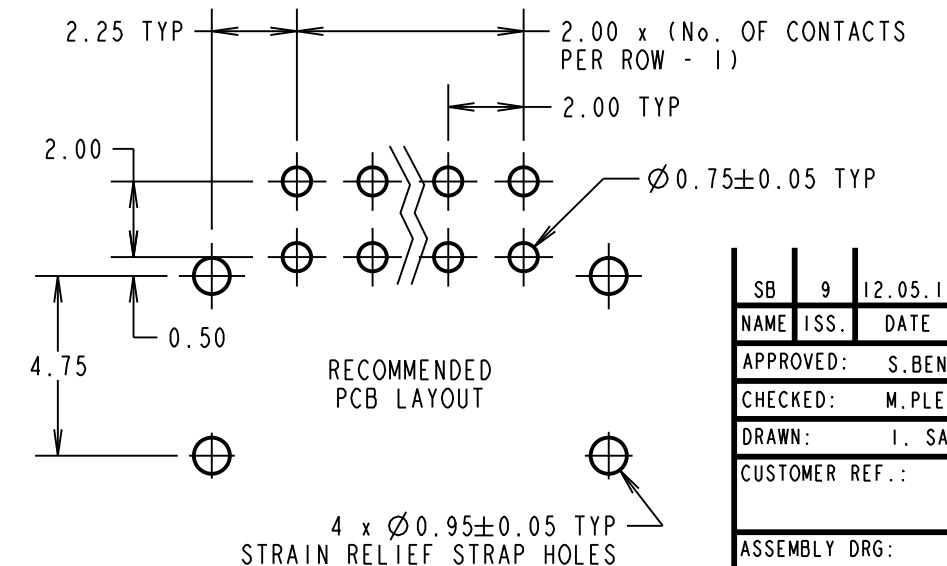
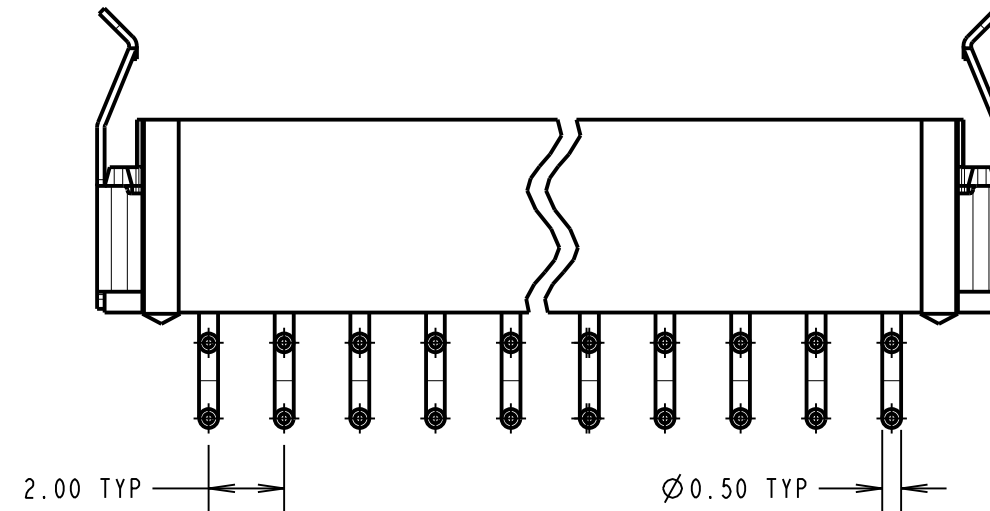
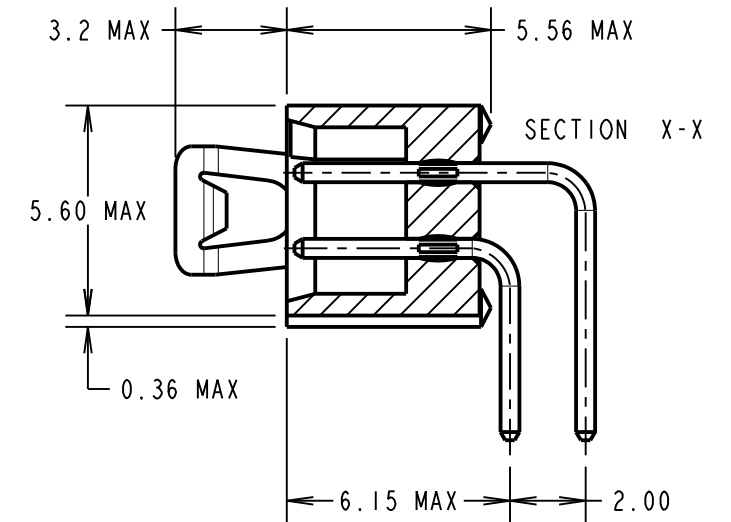
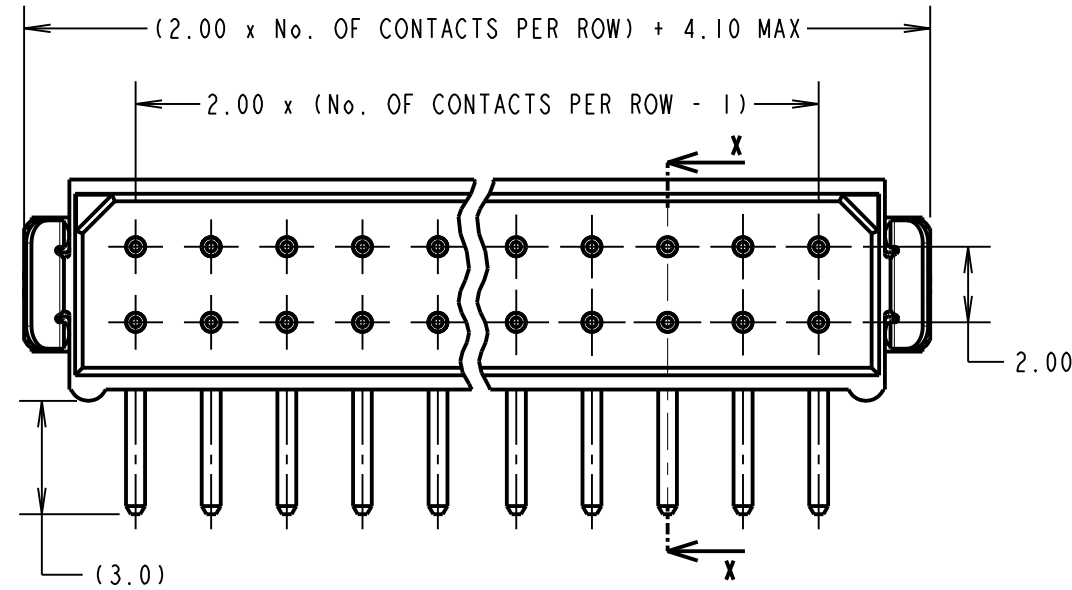
**MATERIAL:**  
 MOULDING = POLYAMIDE 46 UL94V-0, BLACK  
 CONTACTS = PHOSPHOR BRONZE  
 LATCHES = BERYLLIUM COPPER

**FINISH:**  
 CONTACTS (ALL OVER NICKEL):  
 22 = 0.75µ GOLD ON CONTACT AREA,  
 3.0µ 90/10 TIN/LEAD ON TAILS  
 42 = 0.75µ GOLD ON CONTACT AREA,  
 3.0µ 100% TIN ON TAILS  
 45 = 0.75µ GOLD  
 LATCH = 1.25µ NICKEL

**ELECTRICAL:**  
 CURRENT RATING (25°C) = 3.0A MAX.  
 CURRENT RATING (85°C) = 2.2A MAX.  
 WORKING VOLTAGE = 800V AC/DC  
 VOLTAGE PROOF = 1200V AC/DC  
 CONTACT RESISTANCE (INITIAL) = 20mΩ MAX.  
 CONTACT RESISTANCE (AFTER CONDITIONING) = 25mΩ MAX.  
 INSULATION RESISTANCE (INITIAL) = 1000MΩ MIN.  
 INSULATION RESISTANCE (AFTER CONDITIONING) = 100MΩ MIN.

**MECHANICAL:**  
 DURABILITY = 500 OPERATIONS  
**ENVIRONMENTAL:**  
 TEMPERATURE RANGE = -55°C TO +125°C

**PACKING:**  
 TUBE  
 FOR COMPLETE SPECIFICATION, SEE COMPONENT SPECIFICATION C005XX (LATEST ISSUE)



ORDER CODE:

**M80-851XXXX**

TOTAL No. OF CONTACTS: \_\_\_\_\_  
 04, 06, 08, 10, 12, 14, 16,  
 18, 20, 26, 34, 44

FINISH: \_\_\_\_\_  
 22 = SELECTIVE GOLD + TIN/LEAD  
 42 = SELECTIVE GOLD + 100% TIN  
 45 = GOLD

NOTES:  
 1. 2-OFF STRAIN RELIEF STRAP M80-0030006 ARE INCLUDED WITH EACH CONNECTOR.

SB	9	12.05.15	12875
NAME	ISS.	DATE	C/NOTE
APPROVED:		S.BENNETT	
CHECKED:		M.PLESTED	
DRAWN:		I. SANDY	
CUSTOMER REF.:			
ASSEMBLY DRG:			

**HARWIN**

www.harwin.com  
 technical@harwin.com

THIS DRAWING AND ANY INFORMATION OR DESCRIPTIVE MATTER SET OUT HEREON ARE CONFIDENTIAL AND COPYRIGHT PROPERTY OF THE HARWIN GROUP AND MUST NOT BE DISCLOSED, LOANED, COPIED OR USED FOR MANUFACTURING, TENDERING OR FOR ANY OTHER PURPOSE WITHOUT THEIR WRITTEN PERMISSION.

**TOLERANCES**  
 X. = ±1mm  
 X.X = ±0.50mm  
 X.XX = ±0.10mm  
 X.XXX = ±0.01mm  
 ANGLES = ±5°  
 UNLESS STATED

**MATERIAL:**  
 SEE ABOVE  
**FINISH:** SEE ABOVE  
**S/AREA:** mm<sup>2</sup>

**TITLE:** DATAMATE DIL HORIZONTAL 90° TAIL PLUG ASSEMBLY - LATCHED

**DRAWING NUMBER:** M80-851XXXX

SHT 2 OF 2

# Mouser Electronics

Authorized Distributor

Click to View Pricing, Inventory, Delivery & Lifecycle Information:

[Harwin:](#)

[M80-8510442](#) [M80-8511642](#) [M80-8510842](#) [M80-8511245](#) [M80-8511242](#) [M80-8511042](#) [M80-8511842](#) [M80-8510642](#) [M80-8511442](#) [M80-8512042](#) [M80-8514442](#) [M80-8513442](#) [M80-8512642](#) [M80-8510422](#) [M80-8513445](#)  
[M80-8510645](#) [M80-8510845](#) [M80-8511045](#) [M80-8511445](#) [M80-8512045](#)