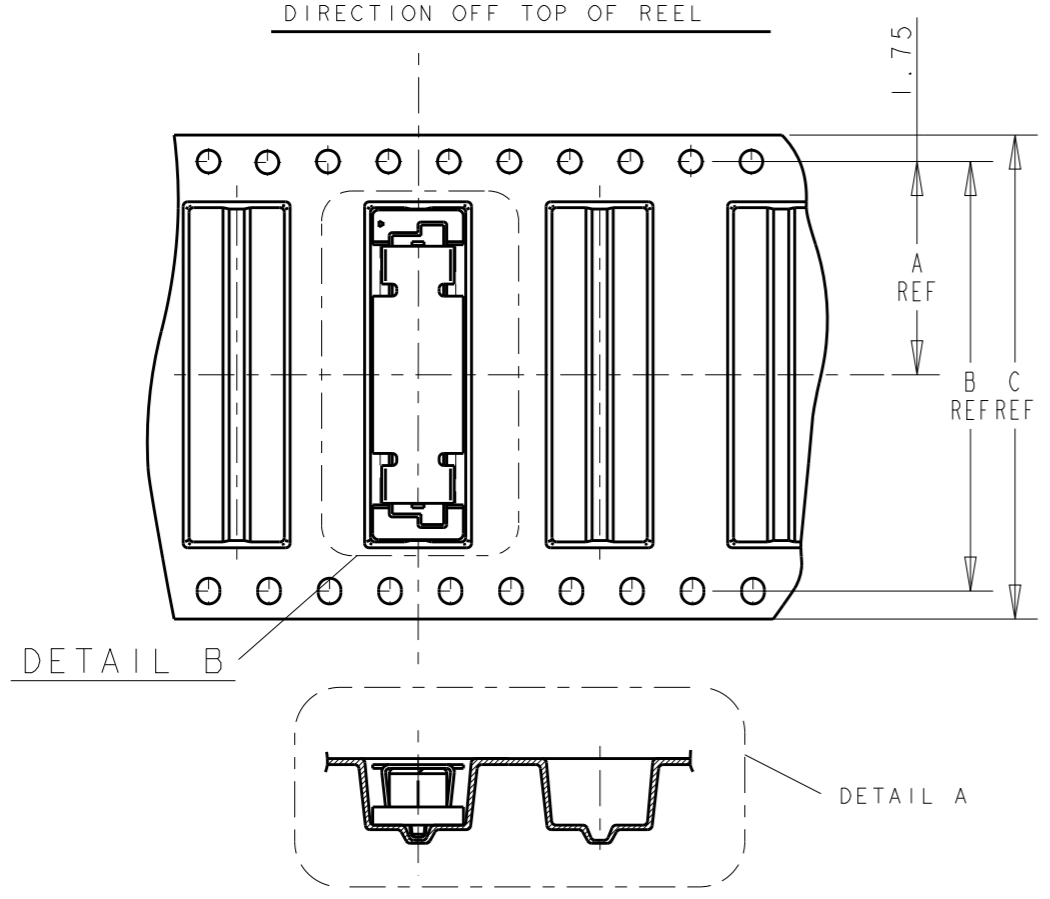


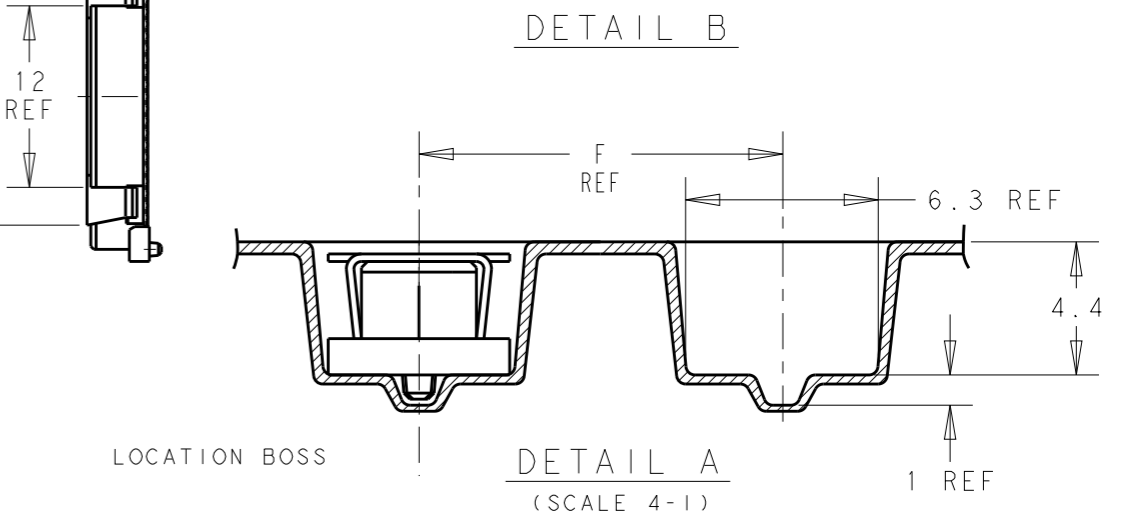
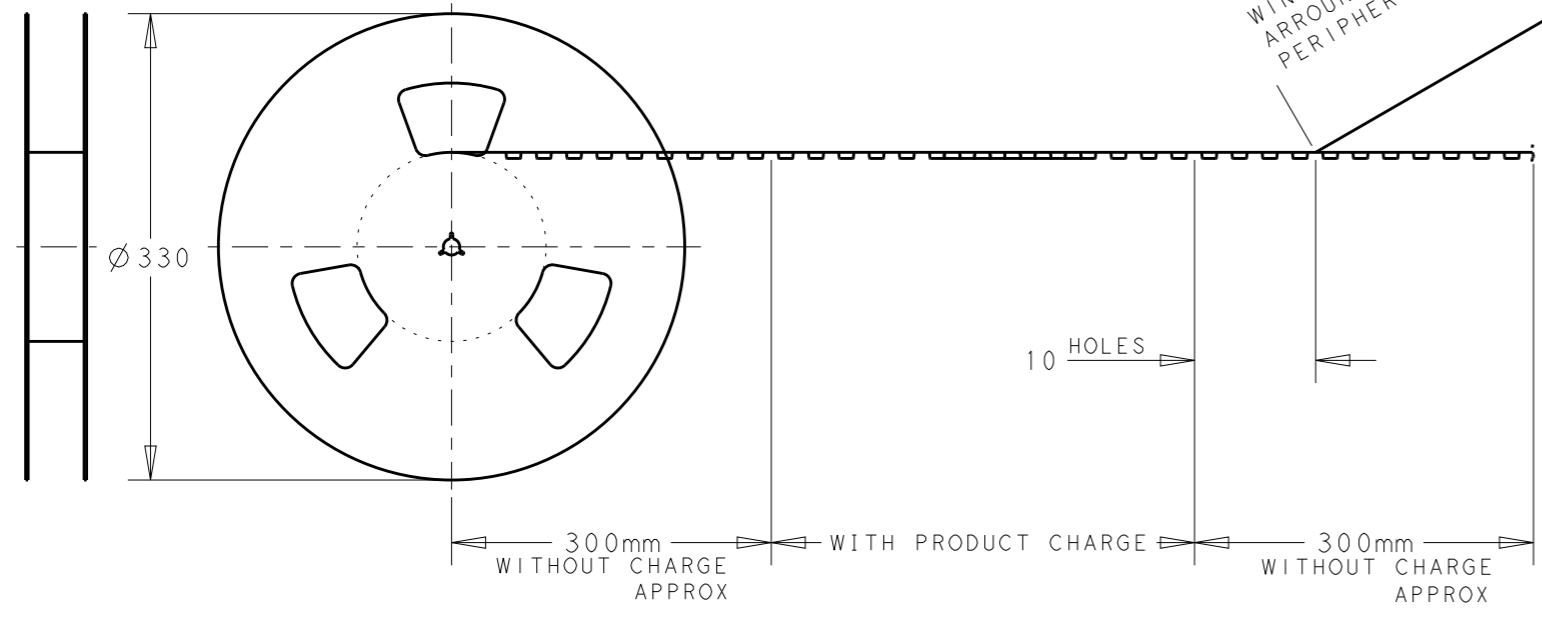
THIS DRAWING IS UNPUBLISHED. RELEASED FOR PUBLICATION 20
 © COPYRIGHT 20 BY - ALL RIGHTS RESERVED.

REVISIONS					
P	LTR	DESCRIPTION	DATE	DWN	APVD
	B	REVISED PER ECO-17-005660	12OCT2017	B. J	S. Y

DIRECTION OFF TOP OF REEL



WINDING THE COVER TAPE AROUND THE OUTER PERIPHERY IN A TURN.



AVAILABLE	1000	12	17	29.8	44	40.4	20.2	60	2-	-2
				85.8				200	1-	-0
				77.8	104	100.4	50.2	180		-9
				69.8				160		-8
				61.8	88	84.4	42.2	140		-6
				53.8				120		-5
		700	16	45.8	72	68.4	34.2	100		-4
				37.8	56	52.4	26.2	80		-3
				29.8	44	40.4	20.2	60		-2
		1000	12	17	21.8	32	28.4	14.2	40	5353999-1
TOOLING STATUS	QTY	F	E	D	C	B	A	POS	PART NO.	

- NOTES:
- 5 OBSOLETE PARTS: OBSOLETE CIS STREAMLINING PER D.RENAUD/D.SINISI
 - 6 CONNECTOR WITH BLACK HOUSING

LOW HALOGEN

THIS DRAWING IS A CONTROLLED DOCUMENT.

DIMENSIONS:	TOLERANCES UNLESS OTHERWISE SPECIFIED:
mm	
	0 PLC ±-
	1 PLC ±0.1
	2 PLC ±0.05
	3 PLC ±0.01
	4 PLC ±-
	ANGLES ±-
MATERIAL	FINISH

DWN 16SEP04 FLORENCE TAN
 CHK ERIC TNG
 APVD SEIFONG
 PRODUCT SPEC 108-5390
 APPLICATION SPEC -
 WEIGHT -

STE TE Connectivity

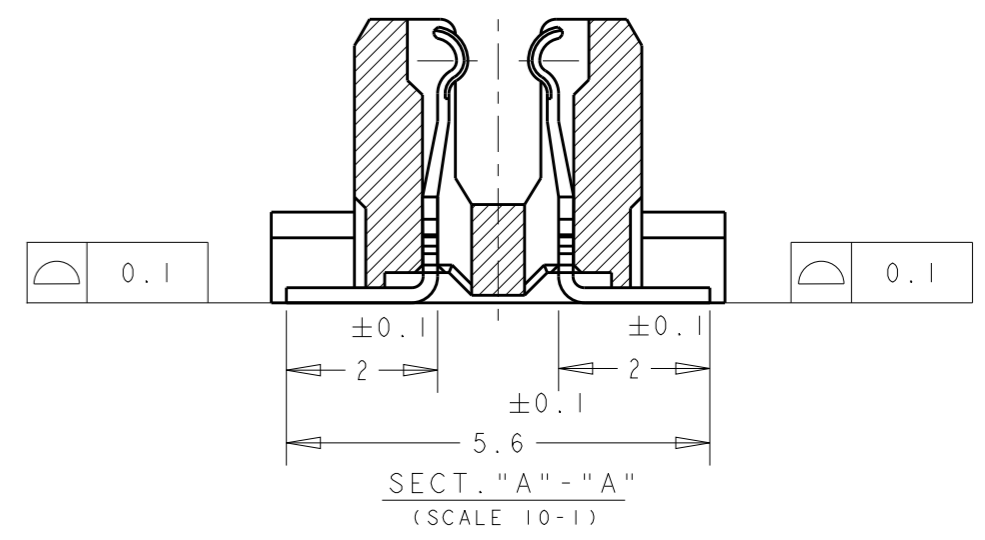
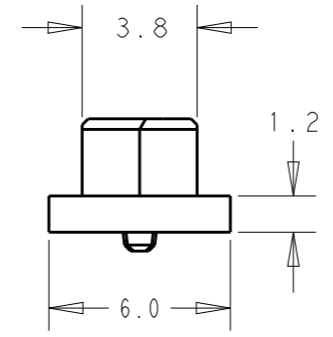
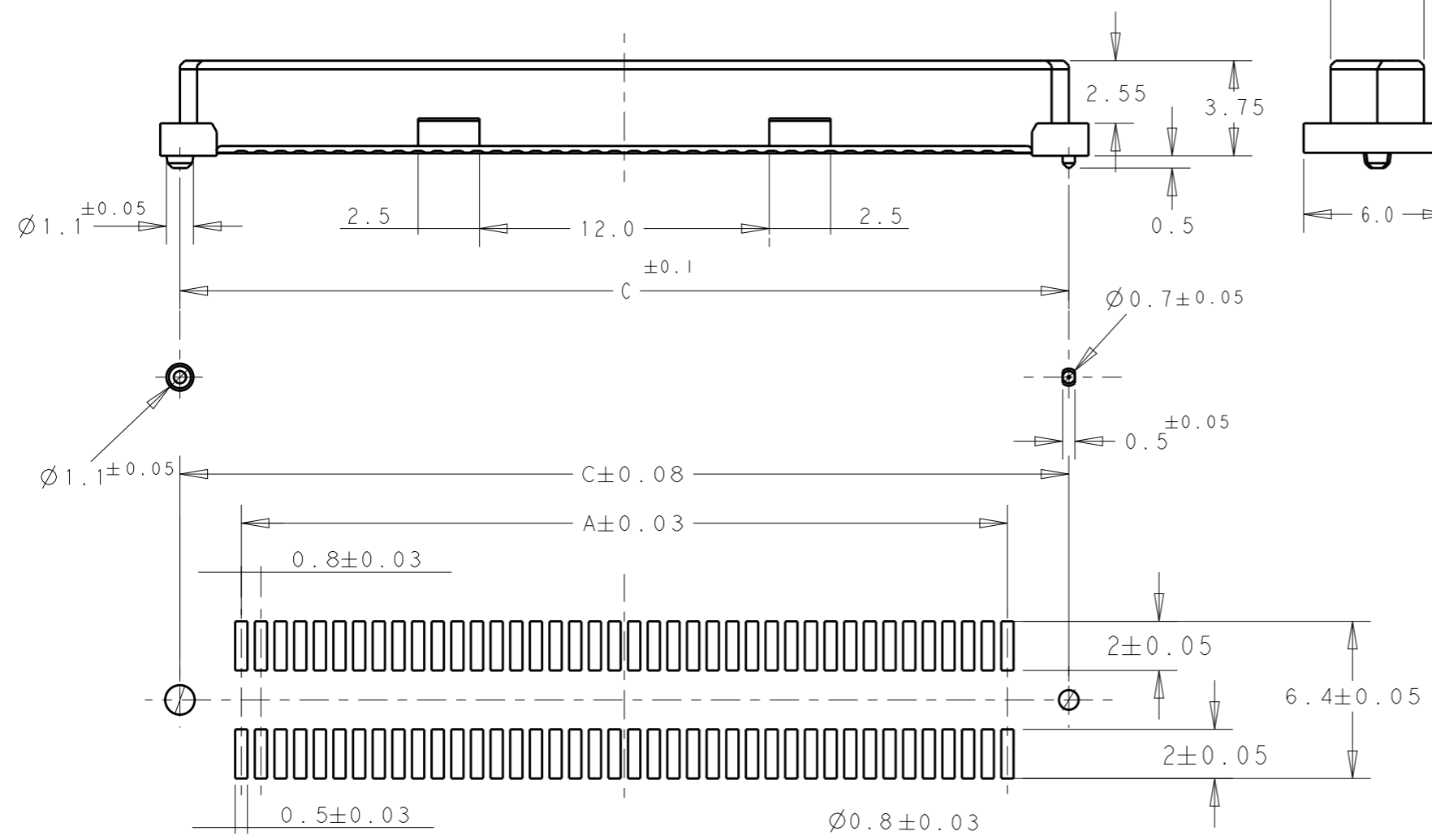
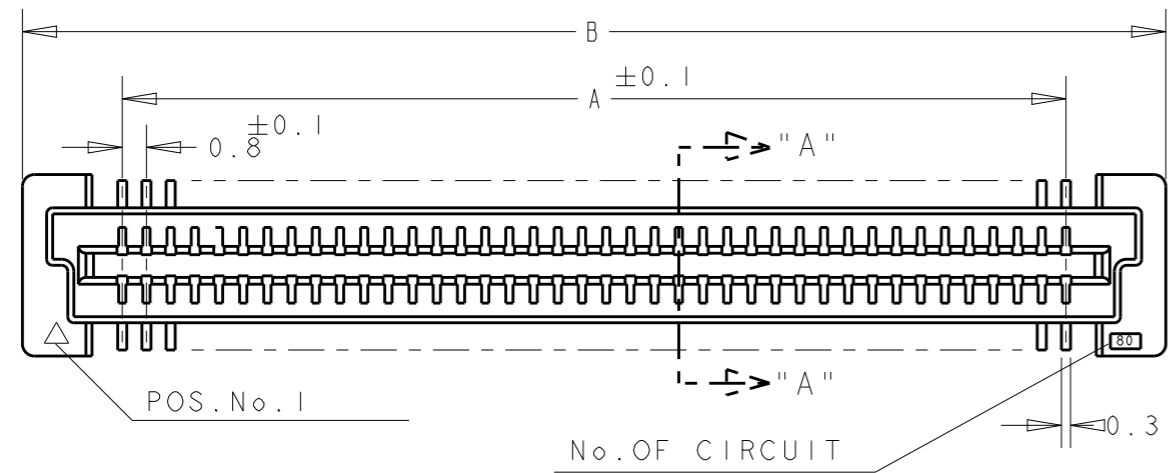
NAME REC ASSY, 5H, 0.76 GOLD
 0.8FH, BTB CONNECTOR
 0.5 BOSS LENGTH

SIZE	CAGE CODE	DRAWING NO	RESTRICTED TO
A3	00779	C-5353999	-

CUSTOMER DRAWING SCALE 4:1 SHEET 1 OF 2 REV B

THIS DRAWING IS UNPUBLISHED. RELEASED FOR PUBLICATION 20
 © COPYRIGHT 20 BY - ALL RIGHTS RESERVED.

REVISIONS					
P	LTR	DESCRIPTION	DATE	DWN	APVD
-	-	SEE SHEET 1	-	-	-



- NOTES:
- 1 MATERIAL: HOUSING: L.C.P. (HIGH TEMP. THERMOPLASTIC) UL 94V-0, NATURAL.
CONTACT: BERYLIUM COPPER.
 - 2 FINISH: CONTACT AREA: 0.00076 MIN GOLD ON 0.0013 MIN ALL OVER NICKEL.
SOLDERING AREA: 0.002 MIN MATTE-TIN.
 - 3. POSITION SERIES: SEE TABLE.
 - 4. CONN STACK HEIGHT COMBINE OF PLUG "Y" H VS REC "X" H.
STACK HEIGHT = Y + X - 5

Ø1.2±0.03 RECOMMENDED P.C. BOARD LAYOUT

LOW HALOGEN

THIS DRAWING IS A CONTROLLED DOCUMENT.		DWN 16SEP04 FLORENCE TAN	TE Connectivity	
DIMENSIONS: mm		CHK ERIC TNG		
TOLERANCES UNLESS OTHERWISE SPECIFIED:		APVD SEIFONG	NAME REC ASSY, 5H, 0.76 GOLD 0.8FH, BTB CONNECTOR 0.5 BOSS LENGTH	
0 PLC ±-		PRODUCT SPEC 108-5390	SIZE A3	
1 PLC ±0.1		APPLICATION SPEC -	CAGE CODE 00779	DRAWING NO C-5353999
2 PLC ±0.05		WEIGHT -	RESTRICTED TO -	
3 PLC ±0.01		CUSTOMER DRAWING	SCALE 4:1	SHEET 2 OF 2
4 PLC ANGLES ±-				REV B
FINISH -				

Mouser Electronics

Authorized Distributor

Click to View Pricing, Inventory, Delivery & Lifecycle Information:

[TE Connectivity:](#)

[5353999-6](#)