

DISK # DWG SIZE DATA CONTAINED IN THIS DOCUMENT IS PROPRIETARY TO TROMPETER ELECTRONICS INC. AND SHALL NOT BE DISCLOSED, COPIED OR USED FOR PROCUREMENT OR MANUFACTURE WITHOUT EXPRESS WRITTEN PERMISSION.

REV		EO	DESCRIPTION	DWN	APPROVED	DATE
F	10054		PICTORIALLY CHANGED 1.00 FLARED SEALING SLEEVE TO STRAIGHT (1.25) LONG SEALING SLEEVE; GENERAL UPDATE	DKC	<i>DKC</i>	12/13/92

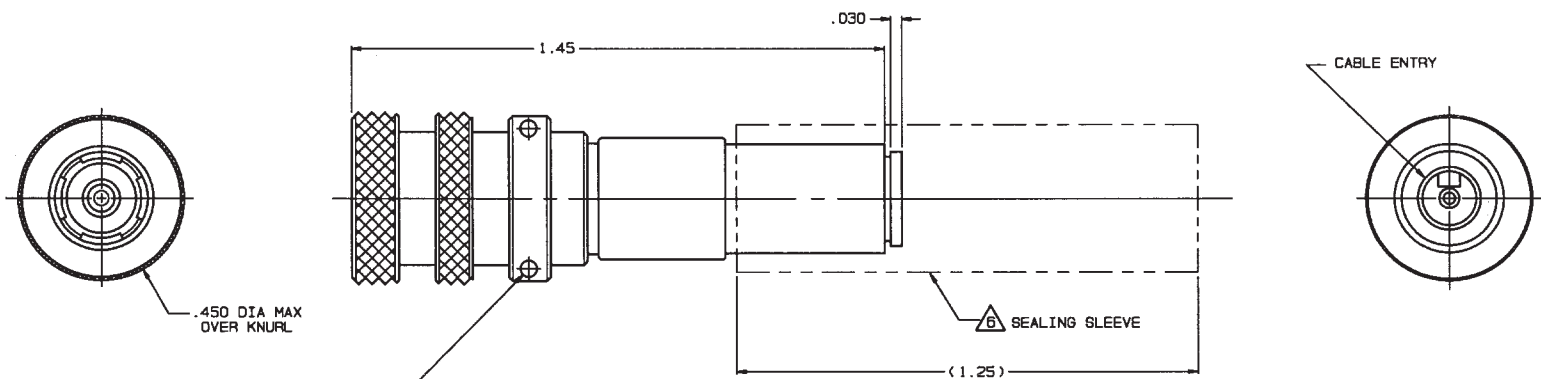
TABLE 1

DASH NO	MODEL NO	CENTER CONTACT/INTMD CONTACT TYPE
-1	PL3455AC P	SOCKET/PIN
-2	PL3455AC S	PIN/SOCKET

TABLE 2

CABLE GROUP NO	CABLES ACCOMMODATED	ASSEMBLE PER	
-201	M17/176-00002	TAI-162	
-202	TWC-78-1, TROMPETER		
-203	TWC-124-1A, TROMPETER		
-204	10602, RAYCHEM		
-205	TWAC-78-1F2, TROMPETER		
-206	782600130, RAYCHEM		
-208	202-3927, MICRODOT		
-209	202-3942, MICRODOT		
-212	2524E0114, RAYCHEM		
-217	GC875TM24H GRUMMAN		
-218	EPD22188B, RAYCHEM		
-219	2526D1114, RAYCHEM		
-220	GC875RR1, GRUMMAN		
-221	10614, RAYCHEM		
-222	10613, RAYCHEM		
-223	HMS2-1149, HUGHES		
-303	7528A5314, RAYCHEM		TAI-190

INCH	MM
.002	0.05
.005	0.13
.030	0.76
.045	1.14
.255	6.48
.450	11.43
1.25	31.75
1.45	36.83



⚠ SEALING SLEEVE & CRIMP BUSHING SUPPLIED LOOSE WITH EACH CONNECTOR; EXCEPT SEALING SLEEVE NOT USED ON -205, -208 & -223

5. EXAMPLE OF COMPLETE MODEL NO:
 PL3455AC P -201
 BASIC MODEL NO | CABLE GROUP NO (SEE TABLE 2)
 | CENTER & INTERMEDIATE CONTACT TYPE (SEE TABLE 1)

4. EXAMPLE OF COMPLETE PART NO:
 310-0067 -1 -201
 BASIC PART NO | DASH NO (SEE TABLE 1)
 | CABLE GROUP NO (SEE TABLE 2)

3. CONCENTRIC TWINAX 4 PIECE ASSY, FULL CRIMP CABLE PLUG, SOCKET CENTER CONTACT AND PIN INTERMEDIATE CONTACT OR PIN CENTER CONTACT AND SOCKET INTERMEDIATE CONTACT
2. TFS-1U (500 HRS SALT SPRAY; NICKEL)
1. ALL DIM ARE IN INCHES

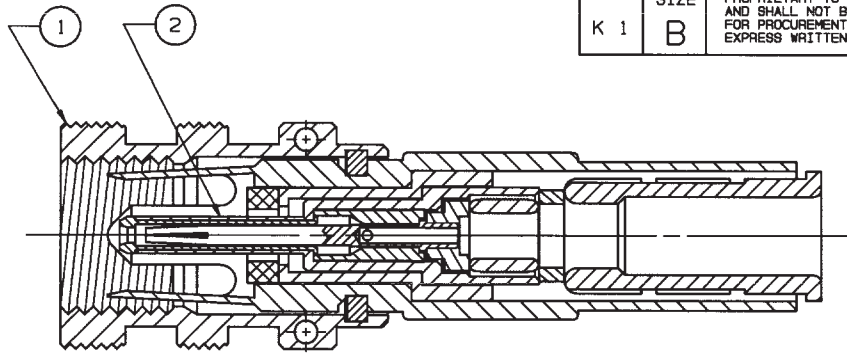
-1 -202 SHOWN



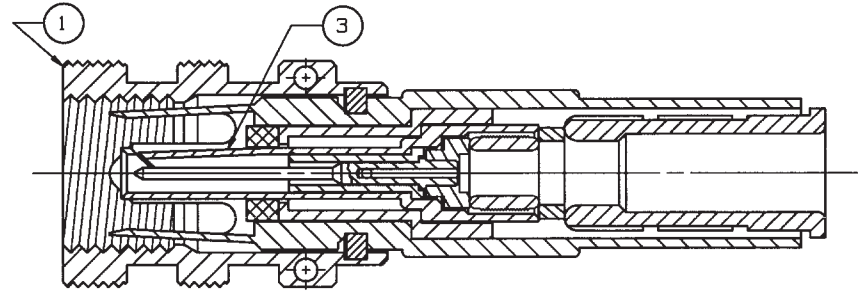
QTY	DESCRIPTION	PART NUMBER	ITEM
TOL UNLESS SPECIFIED .XX ± .03 .XXX ± .005 .XXXX ± .0005 ANGLES	TROMPETER RF connectivity	PL3455ACP/S	
DWN DKC 12-3-92	MATERIAL CODE IDENT	DRAWING NO.	REV
CHK <i>DKC</i>	14949	310-0067	F
ENGR	SCALE 4/1	DATE 10-7-87	SHEET 1 OF 2
APPR <i>DKC</i>	NEXT ASSY		

RED INDICATES ORIGINAL

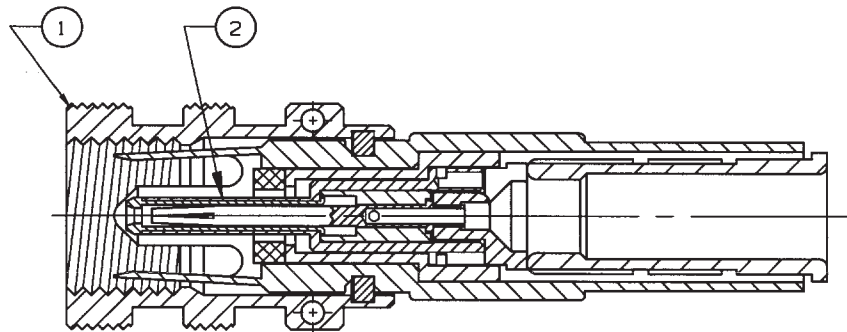
DISK # K 1	DWG SIZE B	DATA CONTAINED IN THIS DOCUMENT IS PROPRIETARY TO TROMPETER ELECTRONICS INC. AND SHALL NOT BE DISCLOSED, COPIED OR USED FOR PROCUREMENT OR MANUFACTURE WITHOUT EXPRESS WRITTEN PERMISSION.	REVISIONS			310-0067		SH 2
			REV	EO	DESCRIPTION	DWN	APPROVED	DATE



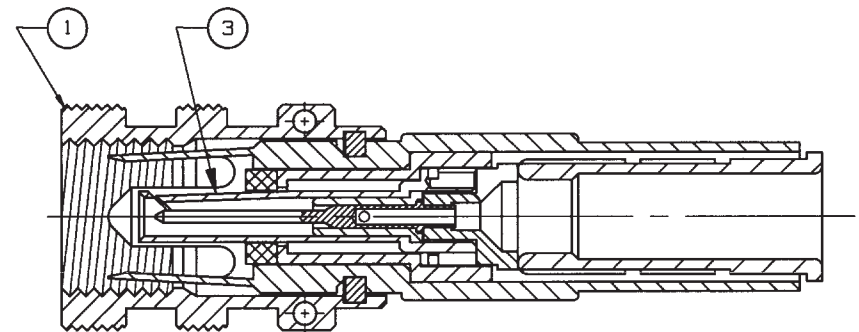
-1-303 SHOWN



-2-303 SHOWN




-1-221 SHOWN



-2-221 SHOWN

1 DASH NO SAME AS CABLE GROUP NO

1	SP450AC - 1			8-2496-	1		3
1	PS450AC - 1			8-2495-	1		2
1	1	BODY ASSY. PL3455AC - 1		8-2554-	1		1
		DESCRIPTION		PART NUMBER			ITEM
-2	-1	TOL UNLESS SPECIFIED .XX ± .XXX ± .XXXX ± ANGLES ±					PL3455ACP/S
	DWN	DKC	12-3-92	MATERIAL	CODE IDENT	DRAWING NO.	REV
	CHK	DKG	12/4/92		14949	310-0067	F
	ENGR						
	APPR	KJ	12/29/92	SCALE 4/1	DATE 10-7-87	SHEET 2	

NEXT ASSY

Mouser Electronics

Authorized Distributor

Click to View Pricing, Inventory, Delivery & Lifecycle Information:

[Cinch Connectivity Solutions:](#)

[PL3455ACP-221](#)