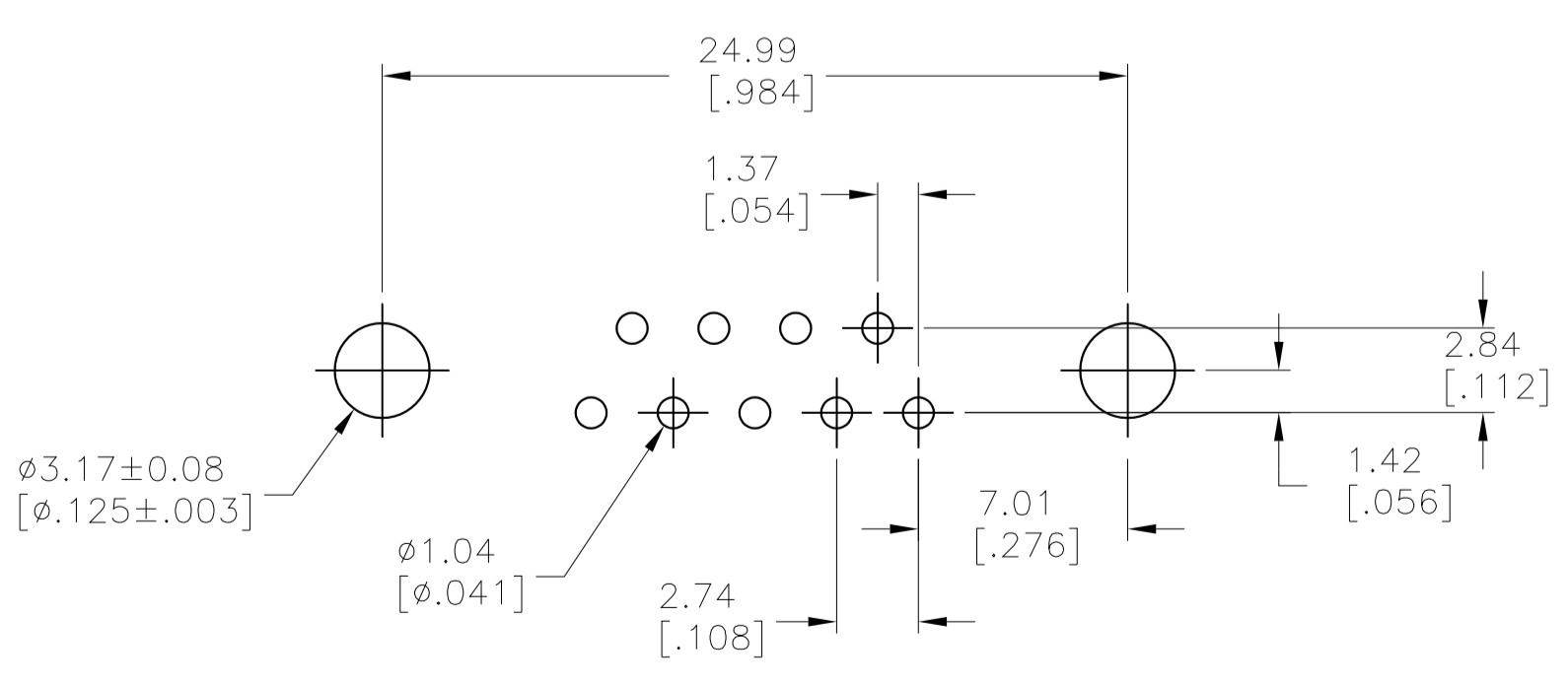
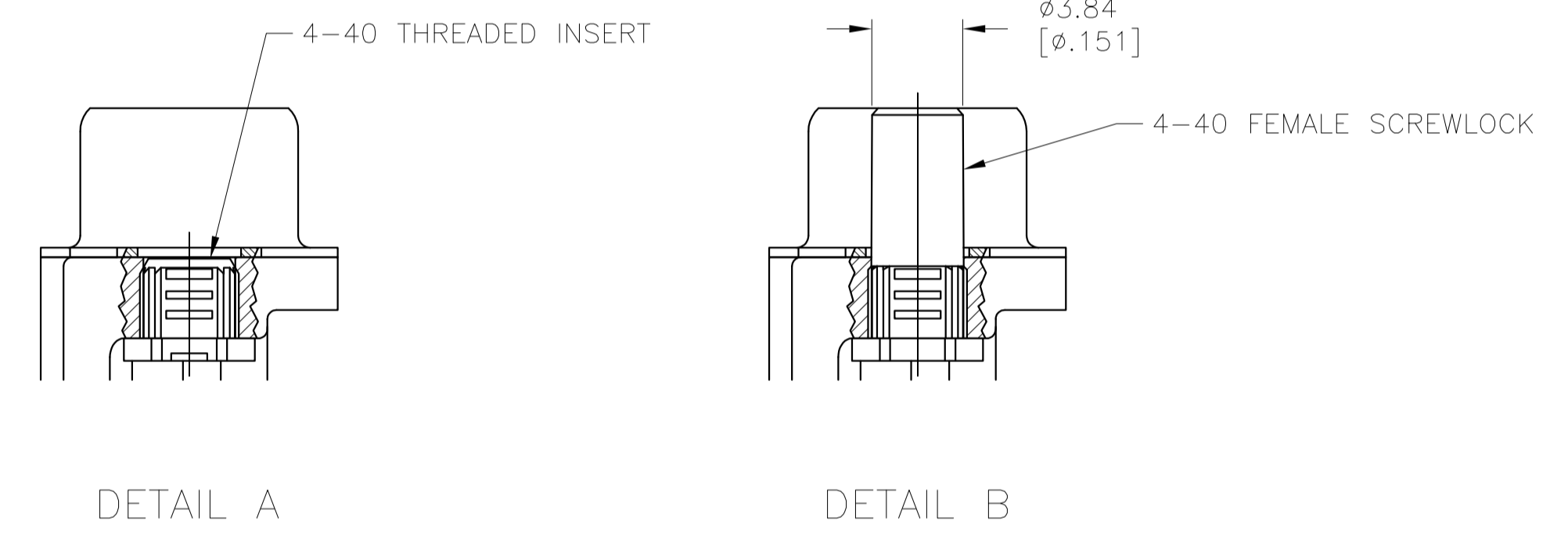
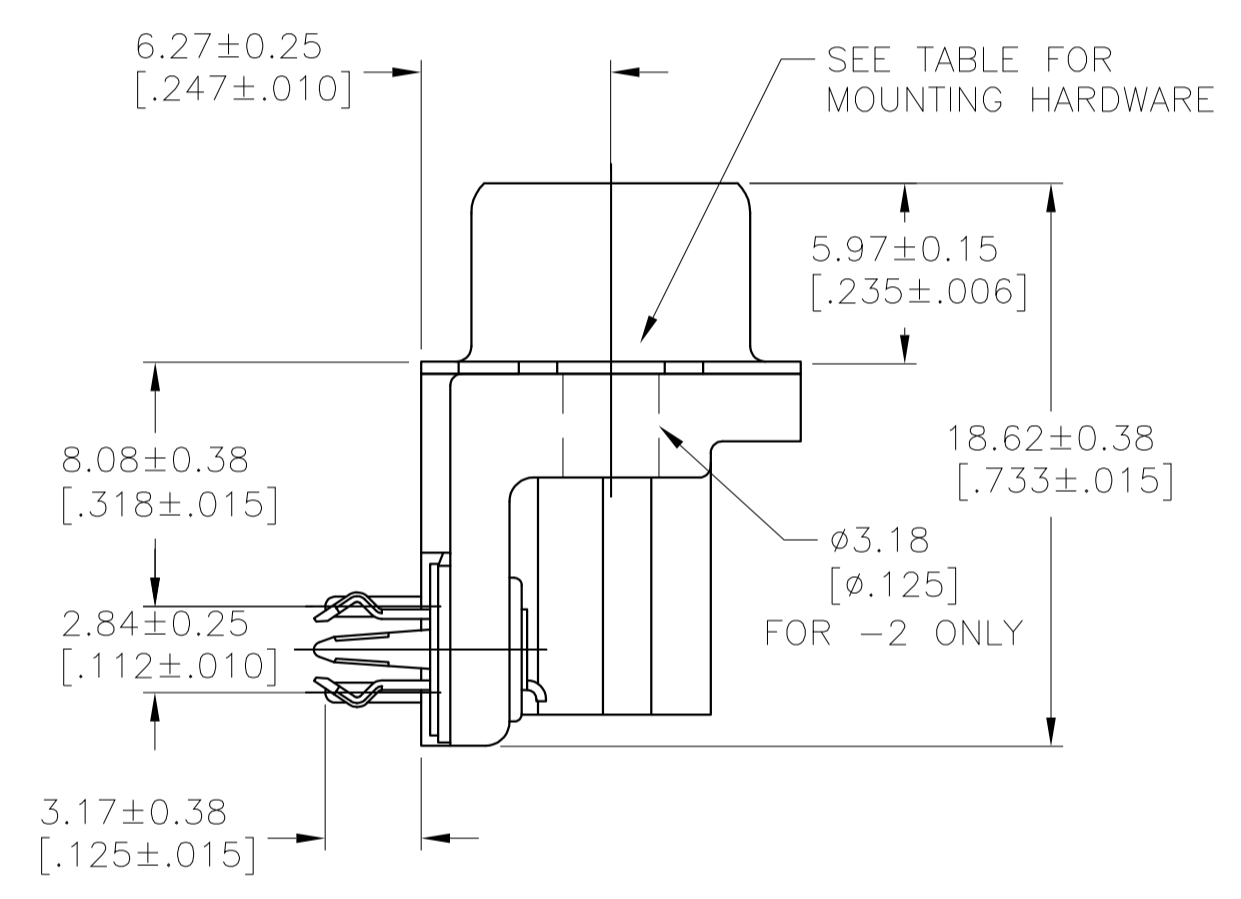
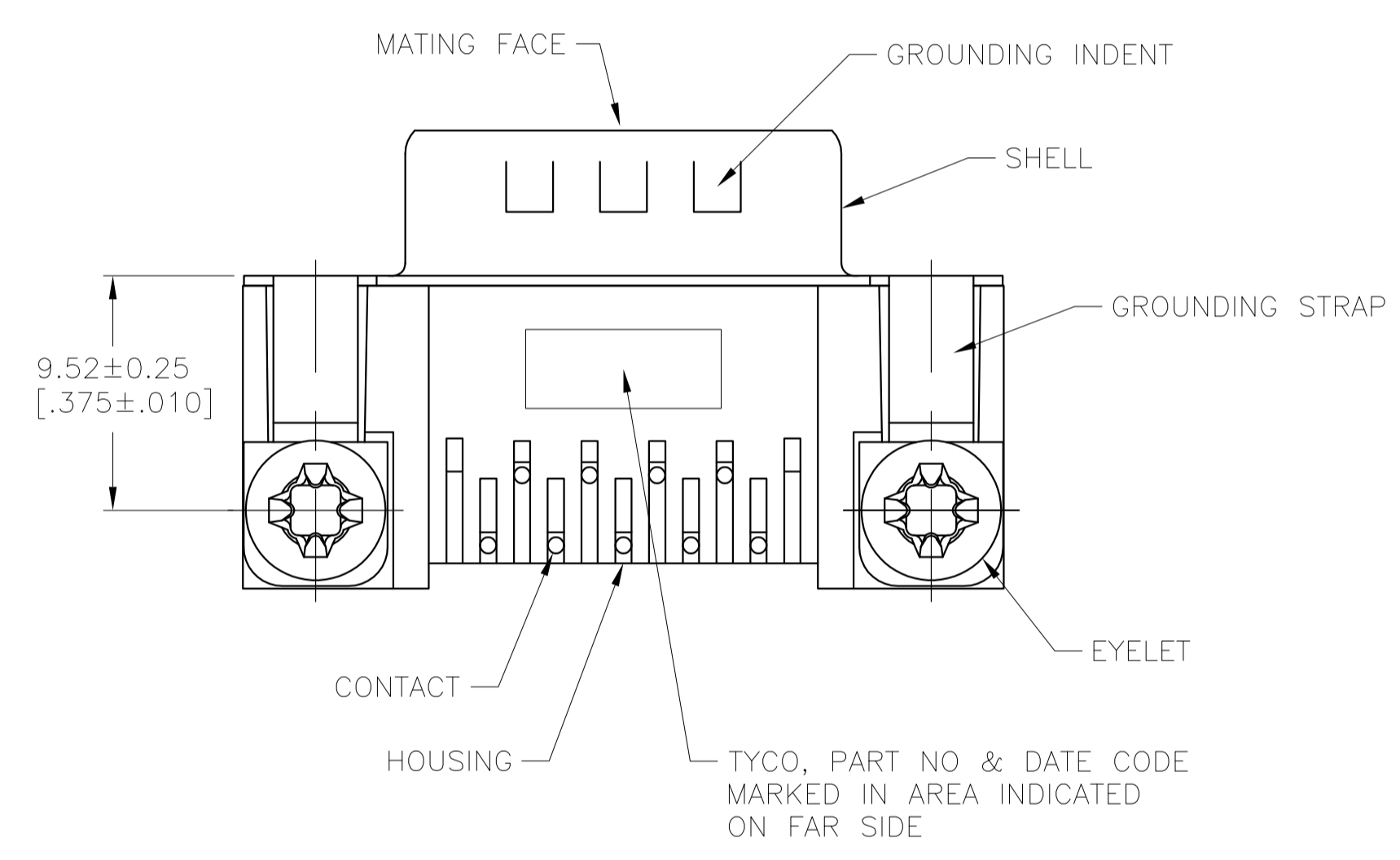


- 1 HOUSING: NYLON OR POLYESTER, FLAME RETARDANT, 94V-0 RATED, COLOR BLACK.
SHELL: CARBON STEEL.
CONTACTS: BRASS.
EYELETS: BRASS.
BOARDLOCKS: COPPER ALLOY.
INSERTS: ZINC.
SCREWLOCKS: ZINC.
- 2 SHELL: .00254μm[.000100] MIN TIN OVER .00127μm[.000050] MIN COPPER.
CONTACTS: SEE TABLE.
EYELETS: .00508μm[.000200] MIN TIN OVER COPPER FLASH.
BOARDLOCKS: .00508μm[.000200] MIN TIN OVER .00127μm[.000050] MIN NICKEL.
INSERTS: CLEAR CHROMATE.
SCREWLOCKS: CLEAR CHROMATE.
- 3 0.76μm[.000030] MIN GOLD PLATE ON THE MATING SURFACES, 2.54μm[.000100] MIN TIN PLATE ON THE SOLDER END, 1.27μm[.000050] MIN NICKEL UNDERPLATE ON THE ENTIRE CONTACT
-OR-
GOLD FLASH OVER PALLADIUM-NICKEL PLATE, 0.76μm[.000030] MIN TOTAL ON THE MATING SURFACES, 2.54μm[.000100] MIN TIN PLATE ON THE SOLDER END, 1.27μm[.000050] MIN NICKEL UNDERPLATE ON THE ENTIRE CONTACT.
- 4 GOLD FLASH ON MATING END, .00254μm[.000100] MIN TIN ON SOLDER END, ALL OVER .00127μm[.000050] MIN NICKEL.



RECOMMENDED PC BOARD LAYOUT
1.57[.062] PC BOARD
(VIEWED FROM CONNECTOR SIDE)

**COPYRIGHT 2005
TYCO ELECTRONICS CORP
ALL RIGHTS RESERVED**

1	SEE DETAIL B	5747840-6
2	SEE DETAIL B	5747840-5
3	SEE DETAIL A	5747840-4
4	SEE DETAIL A	5747840-3
	NONE	5747840-2
	CONTACT FINISH	MOUNTING HARDWARE
		PART NUMBER

THIS DRAWING IS A CONTROLLED DOCUMENT. DIMENSIONING AND TOLERANCING PER ASME Y14.5M-2009		DIN J. GERACE 07FEB05	TE Connectivity	
		CIK S. BOLASH 07FEB05		
DIMENSIONS: INCHES		APVD M. WALMSLEY 07FEB05	NAME	
TOLERANCES UNLESS OTHERWISE SPECIFIED:		PRODUCT SPEC	PLUG ASSEMBLY, SIZE 1, 9 POS, RIGHT ANGLE, FRONT METAL SHELL, 8.08[.318] SERIES, AMPLIMITE HD-20	
0. PLC ± -	1. PLC ± -	APPLICATION SPEC	108-40025	
2. PLC ± -	3. PLC ± 0.13[.005]	SIZE	114-40010	
4. PLC ± -	ANGLES ± ±	WEIGHT	A1 00779 C=5747840	
MATERIAL	FINISH	CUSTOMER DRAWING	SCALE 4:1	SHEET 1 OF 1

Mouser Electronics

Authorized Distributor

Click to View Pricing, Inventory, Delivery & Lifecycle Information:

[TE Connectivity:](#)

[5747840-4](#)