



SERIES LS SWITCHES

SNAP ACTION SWITCHES

TACT SWITCHES

NAVIGATION SWITCHES

PUSHBUTTON SWITCHES

TOGGLE SWITCHES

ROCKER SWITCHES

SLIDE SWITCHES

SNAP-ACTION SWITCHES

DIP SWITCHES

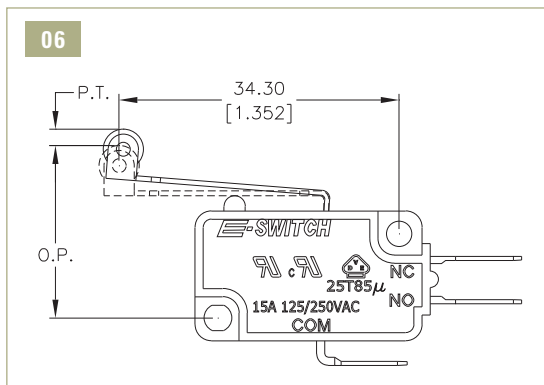
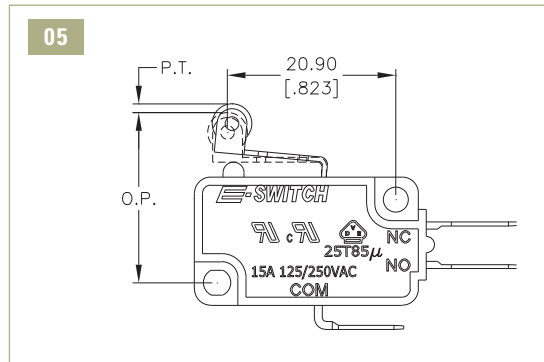
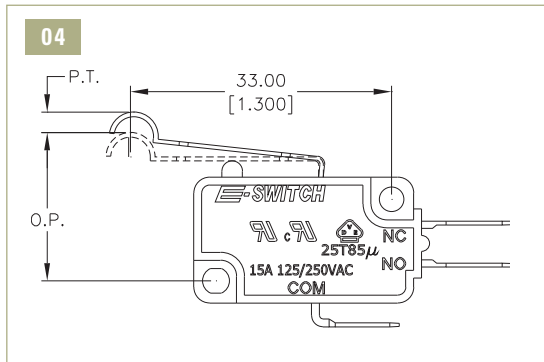
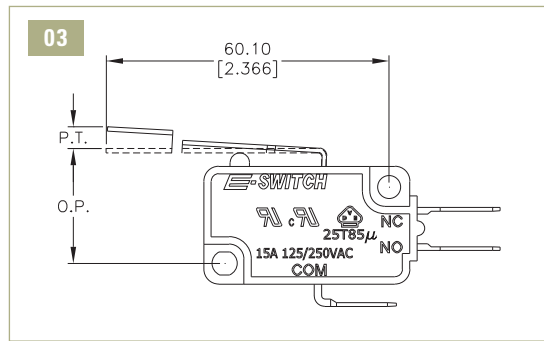
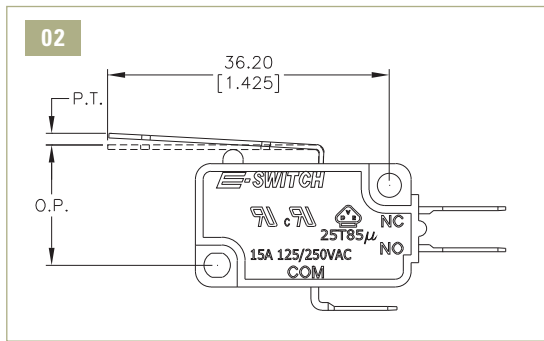
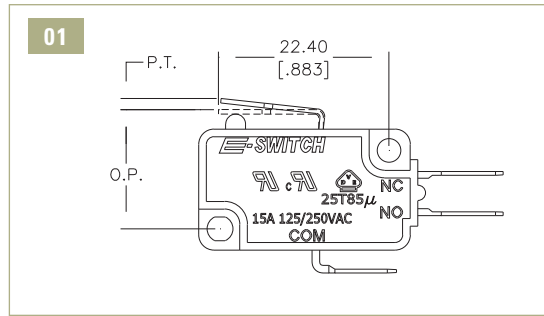
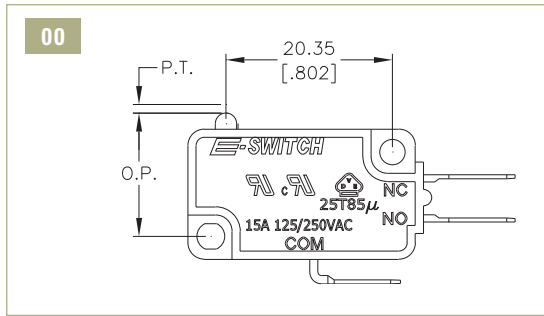
KEYLOCK SWITCHES

ROTARY SWITCHES

DETECTOR SWITCHES

CAP OPTIONS

ACTUATOR OPTIONS



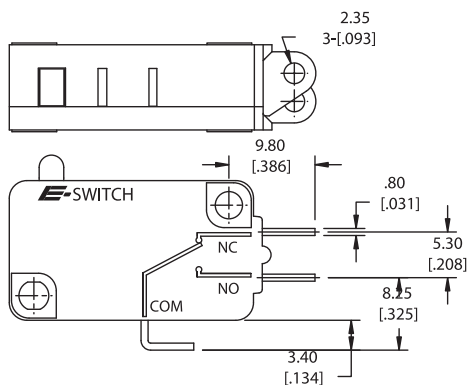
ACTUATOR AND OPERATING FORCE CHART					
Actuator	Actuation/Return Force			Pre-Travel	Operating Position
00	100+/-30	160+/-40	250+/-50	2.0 max	14.7+/-0.5
01	100+/-30	160+/-40	250+/-50	2.0 max	15.3+/-0.5
02	45+/-20	75+/-25	120+/-40	4.1 max	15.5+/-0.8
03	25+/-10	40+/-15	60+/-25	8.5 max	15.3+/-2.0
04	50+/-20	85+/-30	140+/-40	5.2 max	19.0+/-1.5
05	100+/-30	160+/-40	250+/-50	2.7 max	20.7+/-0.8
06	45+/-15	75+/-25	120+/-40	5.5 max	20.7+/-1.5

PT= Pretravel OP= Operating Point OT= Over Travel

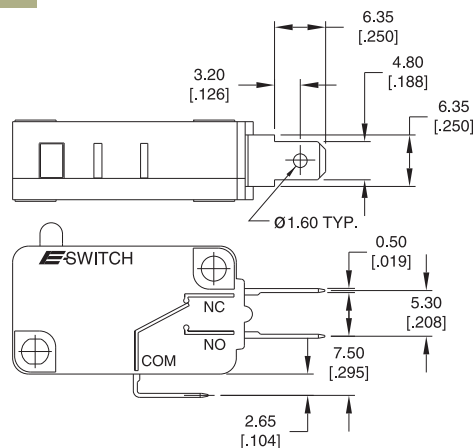


TERMINATION OPTIONS

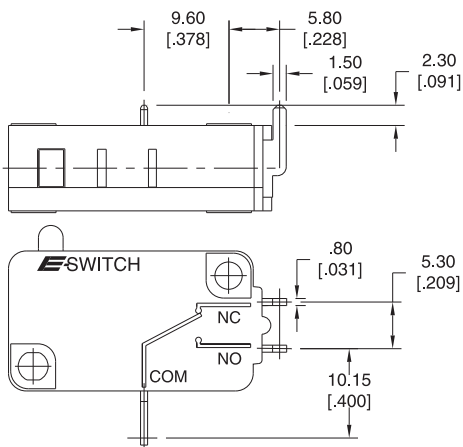
S1 SOLDER LUG



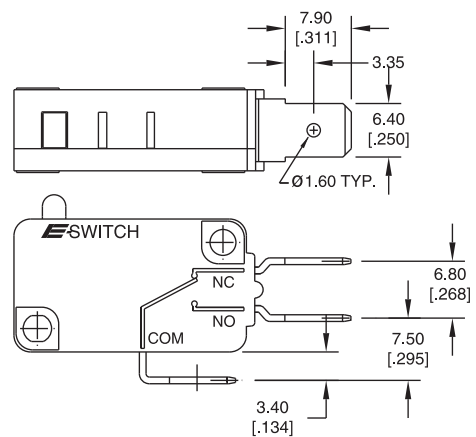
C1 0.187" QUICK CONNECT



V1 RIGHT ANGLE PCB PIN



C2 0.250" QUICK CONNECT



TACT SWITCHES

NAVIGATION SWITCHES

PUSHBUTTON SWITCHES

TOGGLE SWITCHES

ROCKER SWITCHES

SLIDE SWITCHES

SNAP-ACTION SWITCHES

DIP SWITCHES

KEYLOCK SWITCHES

ROTARY SWITCHES

DETECTOR SWITCHES

CAP OPTIONS

Mouser Electronics

Authorized Distributor

Click to View Pricing, Inventory, Delivery & Lifecycle Information:

E-Switch:

[LS0851505F160V1A](#) [LS0851500F160C2A](#) [LS0851500F100C2A](#) [LS0851505F250C1A](#) [LS0851500F160C1A](#)
[LS0851500F100S1A](#) [LS0851504F140C1A](#) [LS0851503F040C1C](#) [LS0851500F100C1A](#) [LS0851504F085C1A](#)
[LS0851502F045S1A](#) [LS0851503F040C1A](#) [LS0851502F075C1A](#) [LS0851502F075S1A](#) [LS0851506F120C1A](#)
[LS0851500F100C2C](#) [LS0851500F100V2A](#) [LS0851500F100V2B](#) [LS0851500F100V2C](#) [LS0851500F160C1B](#)
[LS0851500F160C2B](#) [LS0851500F160C2C](#) [LS0851500F160S1A](#) [LS0851500F160V1A](#) [LS0851500F160V2A](#)
[LS0851500F250C1B](#) [LS0851500F250S1C](#) [LS0851500F250V1A](#) [LS0851500F250V1C](#) [LS0851500F250V2A](#)
[LS0851501F100C1A](#) [LS0851501F160C2A](#) [LS0851502F045C2A](#) [LS0851502F075C1C](#) [LS0851502F120C1A](#)
[LS0851502F120C1C](#) [LS0851502F120V1A](#) [LS0851503F025C2A](#) [LS0851504F050C2C](#) [LS0851504F085C2B](#)
[LS0851505F160C2B](#) [LS0851505F250V1A](#) [LS0851506F120C2A](#) [LS085R100F100C1A](#) [LS085R100F160C1A](#)
[LS085R102F045C1A](#) [LS085R104F050C1A](#) [LS085R104F050V2B](#) [LS085R104F085C1A](#) [LS085R105F100S1A](#)
[LS085R105F250C1C](#) [LS085R106F120C1B](#) [LS0851500F160V1C](#) [LS0851500F250C1A](#) [LS0851502F045C1A](#)
[LS0851503F025C1B](#) [LS0851504F050V2B](#) [LS0851506F120C2C](#) [LS085R102F075C1A](#) [LS085R105F160C1A](#)
[LS085R106F045S1A](#) [LS0851503F060C1A](#) [LS0851501F160C2C](#) [LS085R102F045C2C](#) [LS0851505F160C1A](#)
[LS085R100F100C2A](#) [LS085R101F160V1A](#) [LS085R105F160V1A](#) [LS0851500F100V1C](#) [LS0851503F025C1A](#)
[LS085R106F120C1C](#) [LS085R100F250V1A](#) [LS0851502F075C2A](#) [LS085R100F100V2A](#) [LS0851505F250S1A](#)
[LS085R101F160V2A](#) [LS0851504F050C2A](#) [LS085R100F100V1A](#) [LS0851502F045C2C](#) [LS085R102F120C1C](#)
[LS0851505F250C1C](#) [LS085R105F160V2A](#) [LS0851500F250S1A](#) [LS0851502F075C2C](#) [LS0851502F045V1A](#)
[LS0851505F100C1A](#) [LS0851506F045S1A](#) [LS0851505F250C2A](#) [LS085R106F120C2B](#) [LS0851500F250C2C](#)
[LS085R100F160C2A](#) [LS085R102F045C2A](#) [LS085R104F140C1C](#) [LS0851505F160C2A](#)