

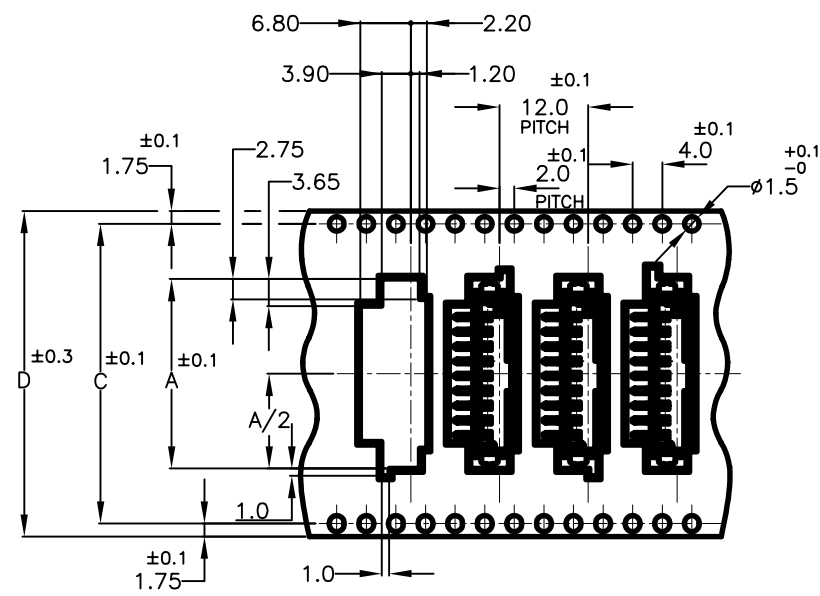
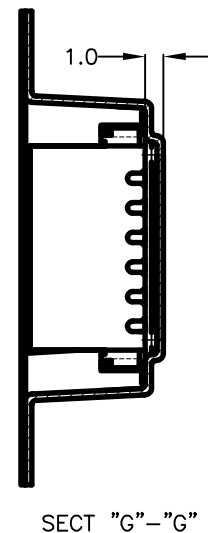
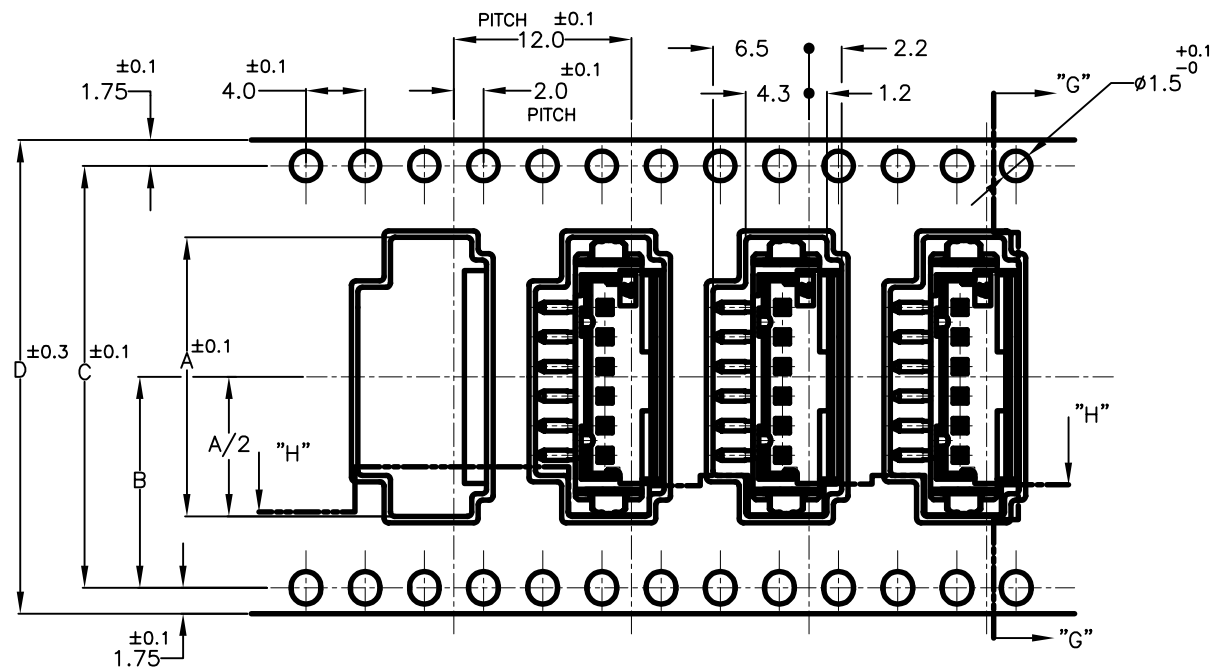
THIS DRAWING IS UNPUBLISHED. RELEASED FOR PUBLICATION

© COPYRIGHT - By - ALL RIGHTS RESERVED.

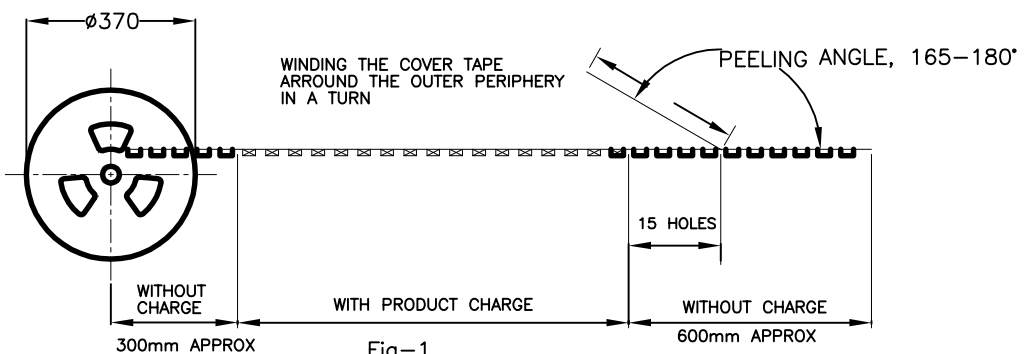
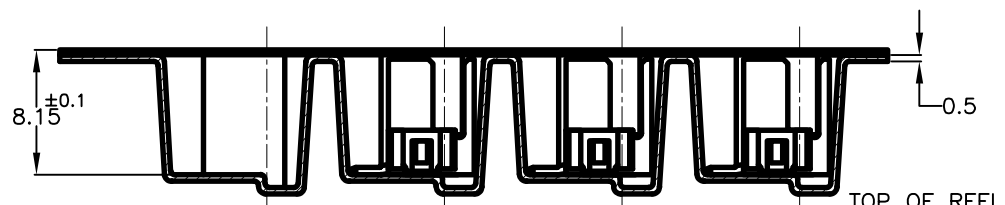
REVISIONS

P	LTR	DESCRIPTION	DATE	DWN	APVD
B2		ECR-14-003969	25MAR16	T.Q	W.H

(AS SHOWN : -6)



9P ONLY



COLOR	PLATE	D	C	B	A	QTY/REEL	POS	TAPING P/N
BLACK		44.0	40.50	20.25	25.60	9	2-292175-9	
		44.0	40.4	20.2	22.9	8	2-	-8
		32.0	28.4	14.2	20.9	7	2-	-7
		32.0	28.4	14.2	18.9	6	2-	-6
		32.0	28.4	14.2	16.9	5	2-	-5
		32.0	28.4	14.2	14.9	4	2-	-4
		32.0	28.4	14.2	12.9	3	2-	-3
WITH		32.0	28.4	14.2	10.9	700	2	2-292175-2
NATURAL		44.0	40.50	20.25	25.60	9	292175-9	
		44.0	40.4	20.2	22.9	8		-8
		32.0	28.4	14.2	20.9	7		-7
		32.0	28.4	14.2	18.9	6		-6
		32.0	28.4	14.2	16.9	5		-5
		32.0	28.4	14.2	14.9	4		-4
		32.0	28.4	14.2	12.9	3		-3
WITH		32.0	28.4	14.2	10.9	700	2	292175-2

NOTES:
 1. PEELING RESISTANCE: 0.196N(20gf)-0.686N(70gf)
 SPEED: 300mm/min

TOLERANCE UNLESS OTHERWISE SPECIFIED	
10>*	±0.2
30>*>10	±0.25
100>*>30	±0.3
ANGLE	±3°

THIS DRAWING IS A CONTROLLED DOCUMENT.

DWN	JACH HOU	19SEP10
CHK	MARTIN LI	19SEP10
APVD	STEVEN YAO	19SEP10
PRODUCT SPEC	108-60016	
APPLICATION SPEC	108-60016	
WEIGHT	A3 00779 C=292175	
CUSTOMER DRAWING	SCALE	1 of 3

TE Connectivity

ON TAPING (EMBOSS)
 TE CT CONNECTOR POST HEADER ASS'Y
 (BOX-V SMT W/O BOSS & W/TAI)

RESTRICTED TO

REV B2

THIS DRAWING IS UNPUBLISHED.

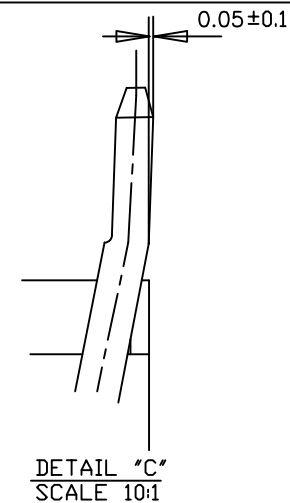
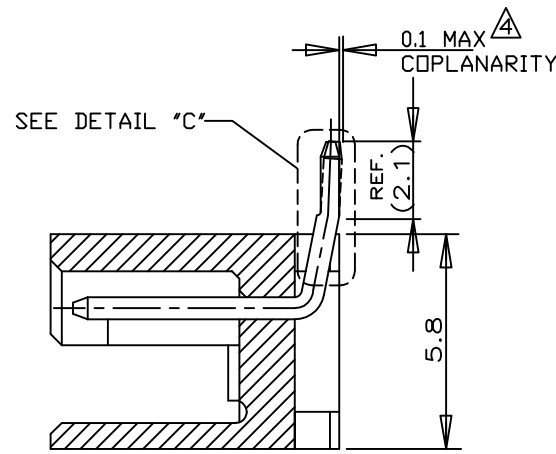
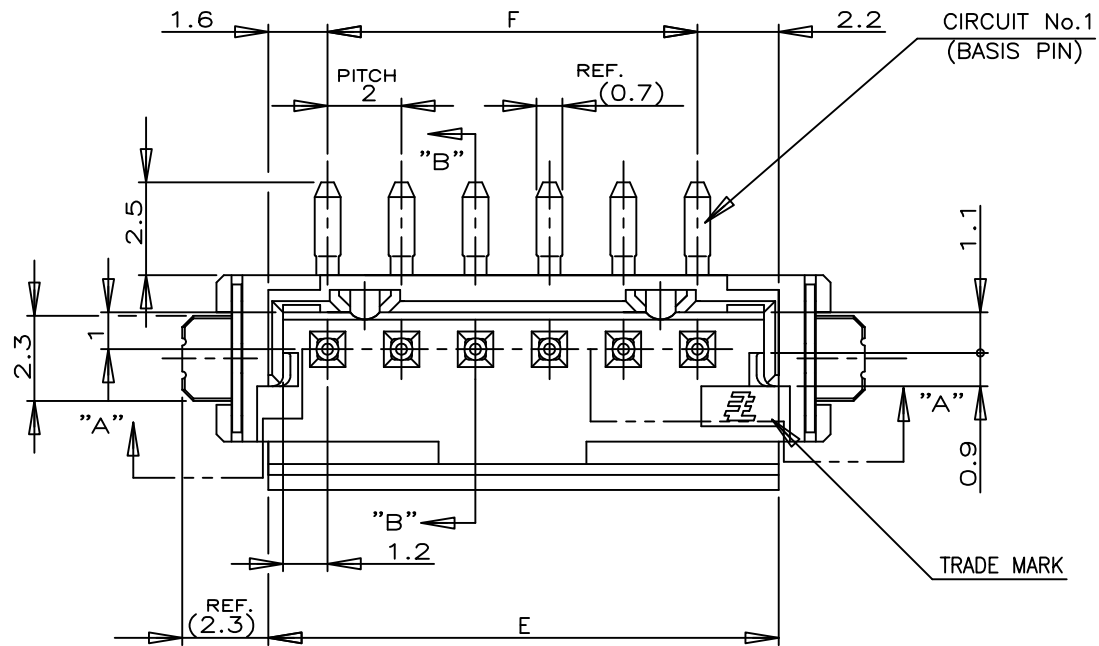
RELEASED FOR PUBLICATION

ALL RIGHTS RESERVED.

© COPYRIGHT - BY

REVISIONS

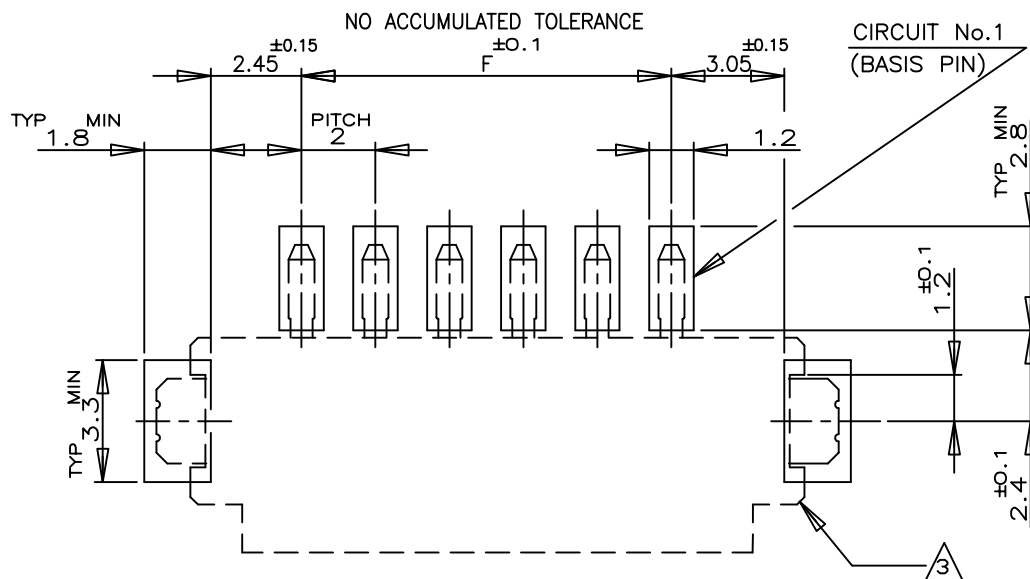
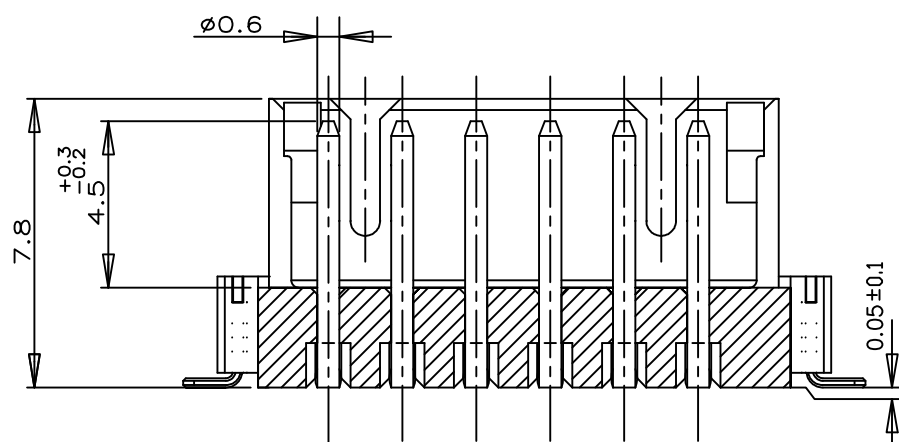
P	LTR	DESCRIPTION	DATE	DWN	APVD
-	-	SEE SHEET 1	-	-	-



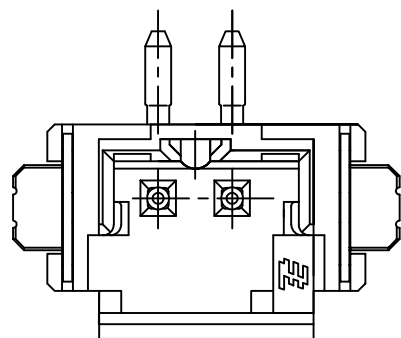
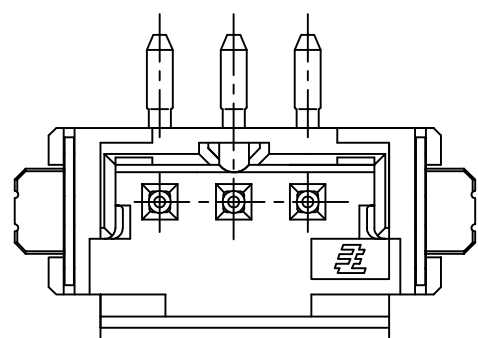
NOTES;

- 2. MATERIAL:HSG-6T PA(G.F.30%)(UL94V-0)
COLOR:NATURAL,BLACK
POST:TIN BRASS
TAIL: TIN BRASS

- △ OCCUPANT AREA ON PC BOARD
- △ TO BE MEASURED WITH CONNECTOR PLACED ON HORIZONTAL DATUM SURFACE,FLOAT OF SOLDER TINE AND TAIL FROM DATUM SURFACE IS 0.1mm MAX



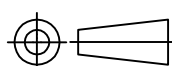
16.0	19.8	9	2-292175-9	292175-9
14.0	17.8	8	2-▲-8	▲-8
12.0	15.8	7	2-▲-7	▲-7
10.0	13.8	6	2-▲-6	▲-6
8.0	11.8	5	2-▲-5	▲-5
6.0	9.8	4	2-▲-4	▲-4
4.0	7.8	3	2-▲-3	▲-3
2.0	5.8	2	2-292175-2	292175-2
F	E	POS.	BLACK	NATURAL
P/N				



TOLERANCES UNLESS OTHERWISE SPECIFIED:
 10** : ±0.2
 30**>10 : ±0.25
 100**>30 : ±0.3
 ANGEL : ±3°

THIS DRAWING IS A CONTROLLED DOCUMENT.

DIMENSIONS: mm



MATERIAL SEE NOTE

TOLERANCES UNLESS OTHERWISE SPECIFIED:

0 PLC ± -
 1 PLC ± -
 2 PLC ± -
 3 PLC ± -
 4 PLC ± -
 ANGLES ± -

FINISH SEE NOTE

DWN -

CHK -

APVD -

PRODUCT SPEC

108-60016

APPLICATION SPEC

WEIGHT 0

CUSTOMER DRAWING

STE TE Connectivity

ON TAPING (EMBOSS)
 SMT TYPE POST HDR ASS'Y(V)
 W/O BOSS & WITH TAIL TYPE

SIZE	CAGE CODE	DRAWING NO	RESTRICTED TO
A3	00779	C=292175	-

SCALE 5:1 SHEET 2 of 3 REV B2

4

3

2

1

THIS DRAWING IS UNPUBLISHED.

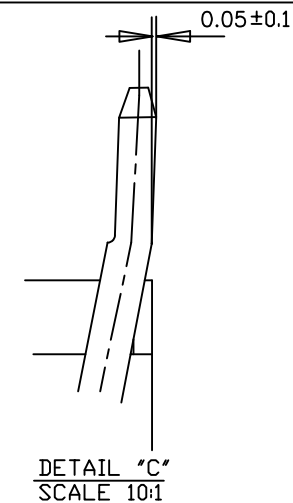
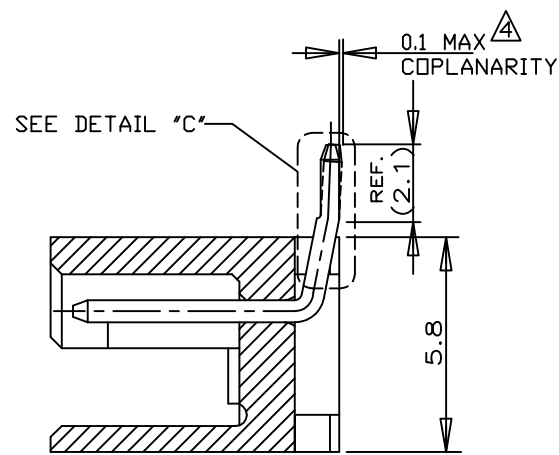
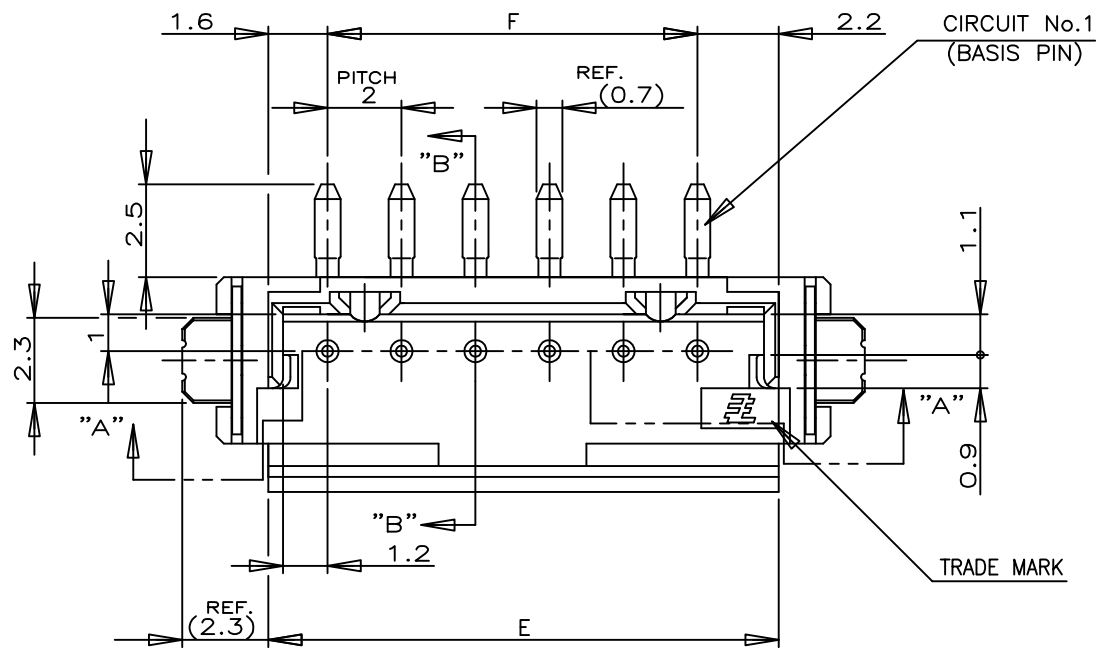
RELEASED FOR PUBLICATION

ALL RIGHTS RESERVED.

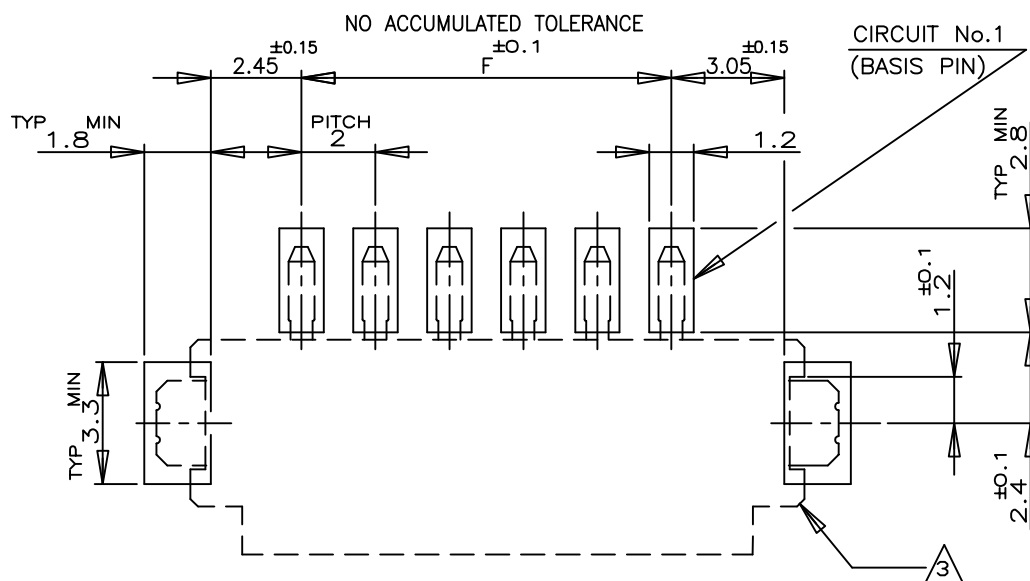
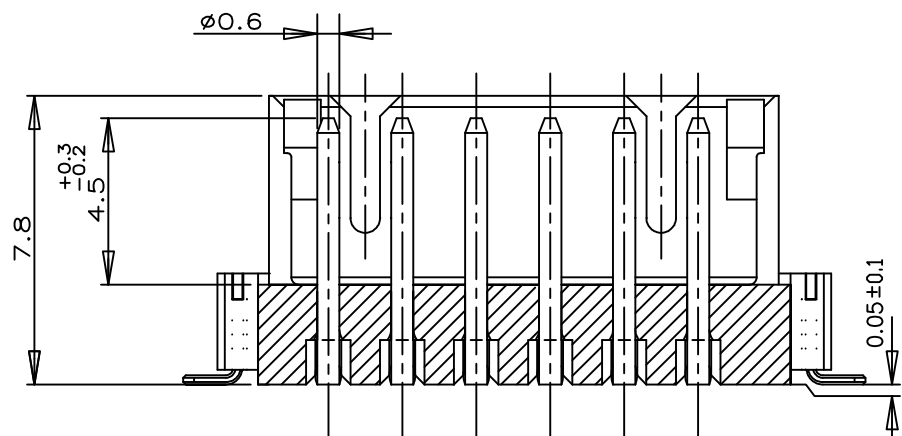
© COPYRIGHT - BY

REVISIONS

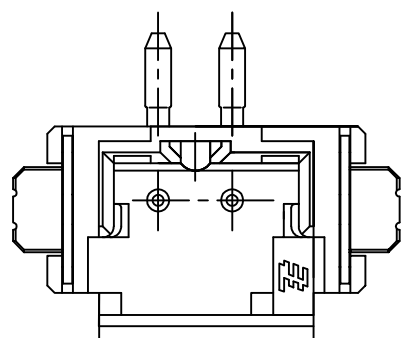
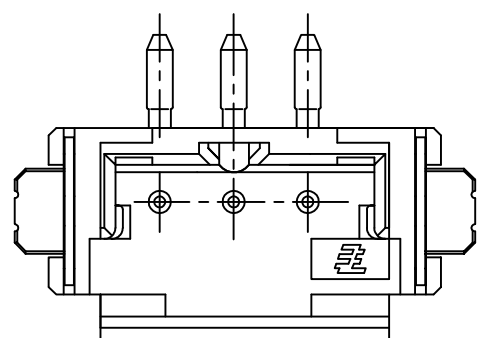
P	LTR	DESCRIPTION	DATE	DWN	APVD
-	-	SEE SHEET 1	-	-	-



- NOTES;
- 2. MATERIAL: HSG-6T PA(G.F.30%)(UL94V-0)
COLOR: NATURAL, BLACK
POST: TIN BRASS
TAIL: TIN BRASS
 - △ OCCUPANT AREA ON PC BOARD
 - △ TO BE MEASURED WITH CONNECTOR PLACED ON HORIZONTAL DATUM SURFACE, FLOAT OF SOLDER TINE AND TAIL FROM DATUM SURFACE IS 0.1mm MAX



RECOMENOED P.C.BOARD LAYOUT (P.C.B THK:0.8mm MIN)



TOLERANCES UNLESS OTHERWISE SPECIFIED:

10**	: ±0.2
30**>10	: ±0.25
100**>30	: ±0.3
ANGEL	: ±3°

THIS DRAWING IS A CONTROLLED DOCUMENT.

DIMENSIONS: mm	TOLERANCES UNLESS OTHERWISE SPECIFIED:	DWN	-
	0 PLC ± -	CHK	-
	1 PLC ± -	APVD	-
	2 PLC ± -	PRODUCT SPEC	108-60016
	3 PLC ± -	APPLICATION SPEC	
MATERIAL	FINISH	WEIGHT	0
SEE NOTE	SEE NOTE	CUSTOMER DRAWING	

10.0	13.8	6	2-292175-6	292175-6
F	E	POS.	BLACK	NATURAL
P/N				

STE TE Connectivity

ON TAPING (EMBOSS)
SMT TYPE POST HDR ASS'Y(V)
W/O BOSS & WITH TAIL TYPE

SIZE	CAGE CODE	DRAWING NO	RESTRICTED TO
A3	00779	C=292175	-
SCALE 5:1		SHEET 3 of 3	REV B2

Mouser Electronics

Authorized Distributor

Click to View Pricing, Inventory, Delivery & Lifecycle Information:

[TE Connectivity:](#)

[292175-8](#)