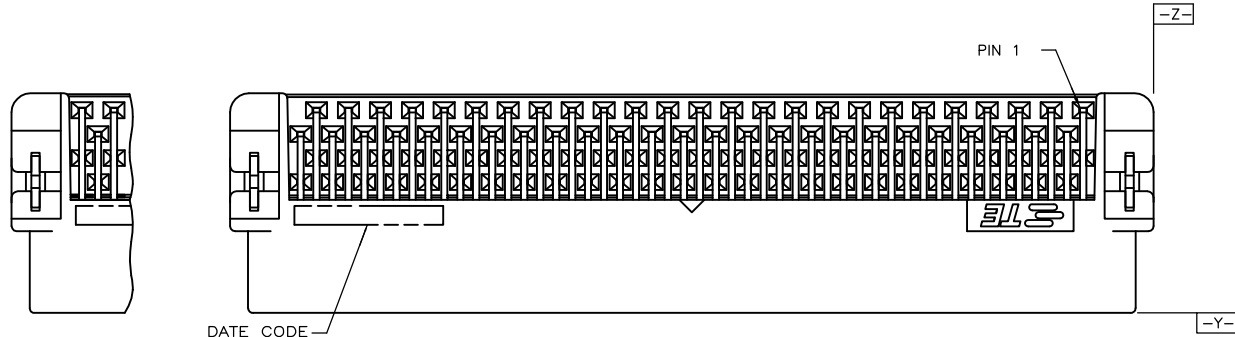
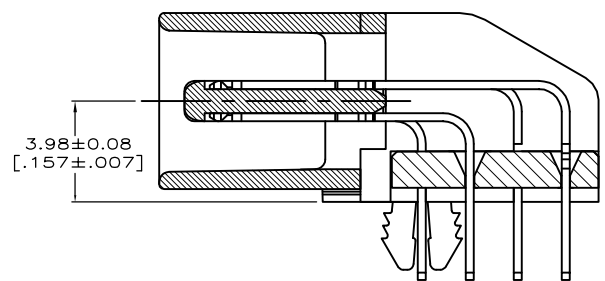


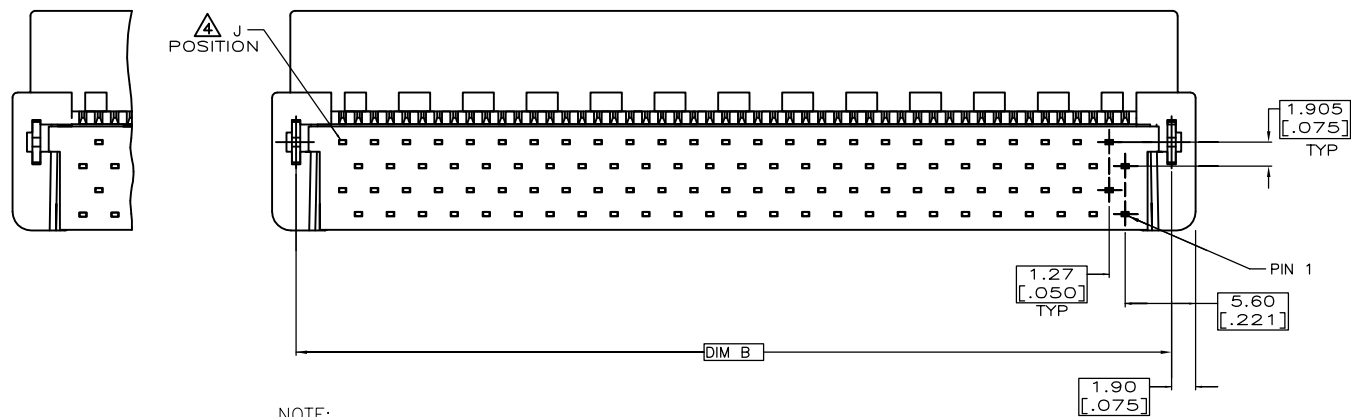
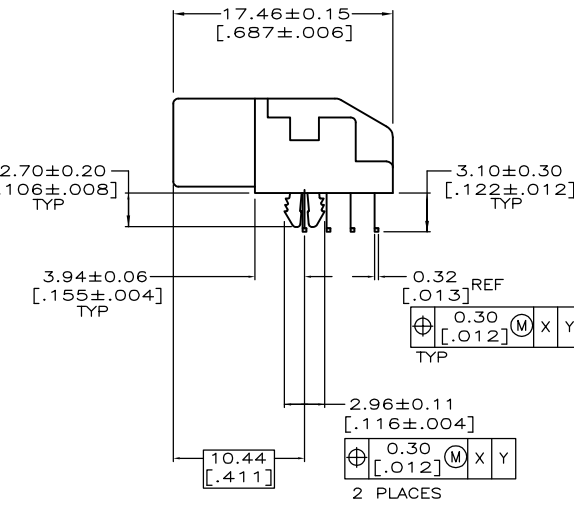
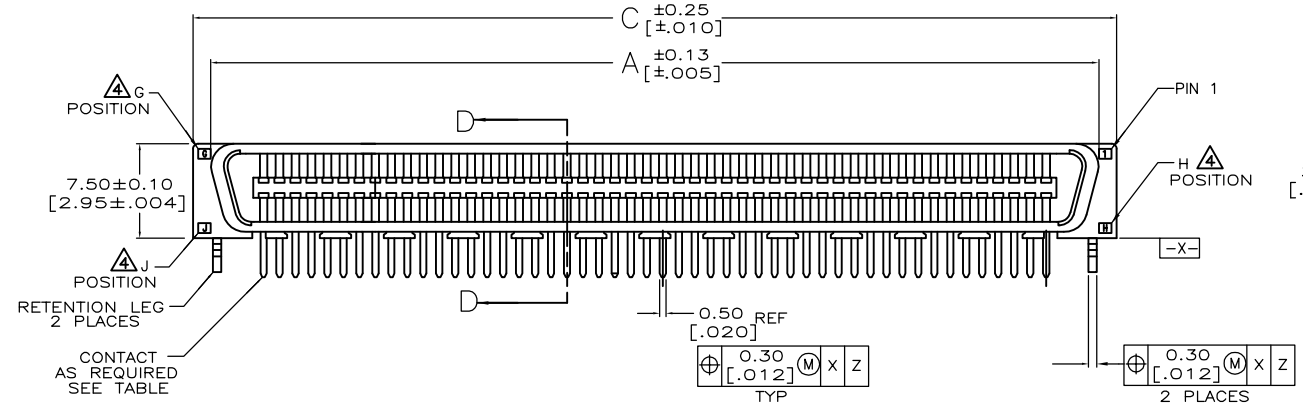
REVISIONS					
P	LTR	DESCRIPTION	DATE	DWN	APVD
H		REVISED PER ECO-17-013991	22SEP2017	RG	SH



FOR 50 AND 130 POSITIONS ONLY
 FOR 40, 60, 68, 80, 100, 120, 140, 160, 180 AND 200 POSITIONS ONLY



SECTION D-D
 SCALE 8:1



NOTE:
 1. MATERIAL:
 HOUSING: LCP, UL 94V-0, BLACK COLOR.
 CONTACTS: BRASS.
 BOARDLOCKS: BRASS.
 2. FINISH:
 CONTACTS: (SEE TABLE) GOLD PLATED ON CONTACT AREA,
 3.81µm [150µ"] MIN. MATTE-TIN ON SOLDERTAIL, OVER
 1.27µm [50µ"] MIN. NICKEL UNDERPLATED.
 BOARDLOCKS: 3.81µm [150µ"] MIN. TIN-Cu OVER
 1.27µm [50µ"] MIN. UNDERPLATED.
 3. WAVE SOLDER CAPABLE TO 265°C PER TEST SPEC.
 109-202, CONDITION B.
 G, J, H INDICATE NUMBER OF POSITION MARKED ON ASSEMBLY.
 ALSO SEE TABLE.
 GOLD FLASH OVER
 0.762µm [30µ"] MIN. PALLADIUM-NICKEL PLATED.

E1	OBSOLETE	DIMENSIONS (mm)			CAGE CODE	DRAWING NO	GOLD FLASH	PART NUMBER	POS.	
		136.93	133.13	134.07						
		[5.891]	[5.241]	[5.278]	100 200 101			5-1734099-8	200	
							0.381µm [15µ"]	3-1734099-8		
							△	1-1734099-8		
		111.53	107.73	108.67	80 160 81			5-1734099-6	160	
		[4.391]	[4.241]	[4.278]			0.381µm [15µ"]	3-1734099-6		
							△	1-1734099-6		
		98.83	95.03	95.97	70 140 71			5-1734099-4	140	
		[3.891]	[3.741]	[3.778]			0.381µm [15µ"]	3-1734099-4		
							△	1-1734099-4		
		86.13	82.33	83.27	20 120 61			5-1734099-2	120	
		[3.391]	[3.241]	[3.278]			0.381µm [15µ"]	3-1734099-2		
							△	1-1734099-2		
		73.43	69.63	70.57	50 100 51			5-1734099-0	100	
		[2.891]	[2.741]	[2.778]			0.381µm [15µ"]	3-1734099-0		
							△	1-1734099-0		
		60.73	56.93	57.87	40 80 41			5-1734099-8	80	
		[2.391]	[2.241]	[2.278]			0.381µm [15µ"]	2-1734099-8		
							△	1734099-8		
		53.11	49.31	50.25	34 68 35			5-1734099-7	68	
		[2.091]	[1.941]	[1.978]			0.381µm [15µ"]	2-1734099-7		
							△	1734099-7		
		48.03	44.23	45.17	30 60 31			5-1734099-6	60	
		[1.891]	[1.741]	[1.778]			0.381µm [15µ"]	2-1734099-6		
							△	1734099-6		
		41.68	37.88	38.82	25 50 26			5-1734099-5	50	
		[1.641]	[1.491]	[1.528]			0.381µm [15µ"]	2-1734099-5		
							△	1734099-5		
		35.33	31.53	32.47	20 40 21			5-1734099-4	40	
		[1.391]	[1.241]	[1.278]			0.381µm [15µ"]	2-1734099-4		
							△	1734099-4		
		C	B	A	G	J	H	GOLD PLATED	PART NUMBER	POS.

THIS DRAWING IS A CONTROLLED DOCUMENT.

DWN F. YANG 31MAR2009
 CHK S. CHIEN 31MAR2009
 APVD W. KODAMA 31MAR2009

DIMENSIONS: mm TOLERANCES UNLESS OTHERWISE SPECIFIED:
 0 PLC ± -
 1 PLC ± 0.25
 2 PLC ± 0.2
 3 PLC ± -
 4 PLC ± -
 ANGLES ± -

MATERIAL SEE NOTE FINISH SEE NOTE

PRODUCT SPEC 108-57876
 APPLICATION SPEC -

WEIGHT 0

CUSTOMER DRAWING

TE Connectivity
 PLUG ASSEMBLY, R/A,
 BTB, CHAMP .050, SERIES I

SIZE A3 CAGE CODE 00779 DRAWING NO C-1734099 RESTRICTED TO -

SCALE - SHEET 1 of 5 REV H

THIS DRAWING IS UNPUBLISHED.

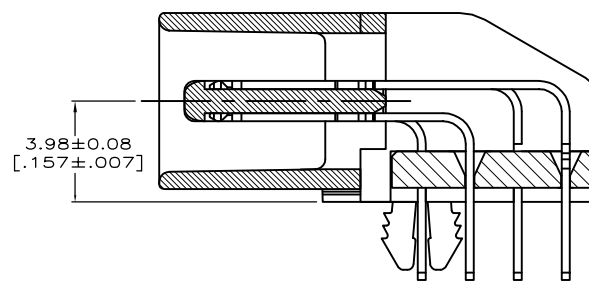
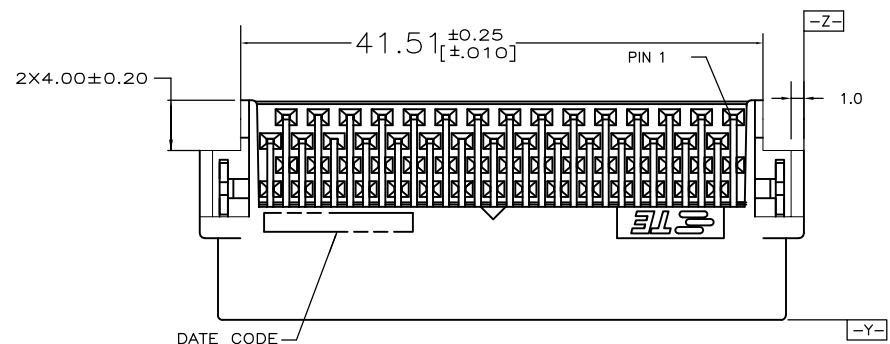
RELEASED FOR PUBLICATION

REVISIONS

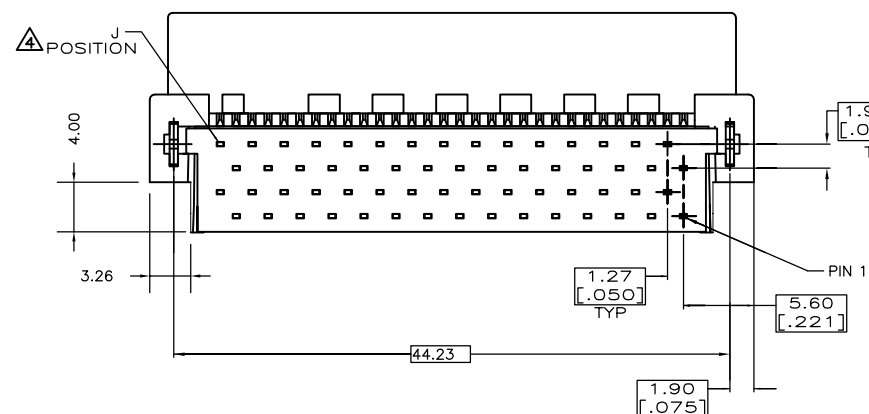
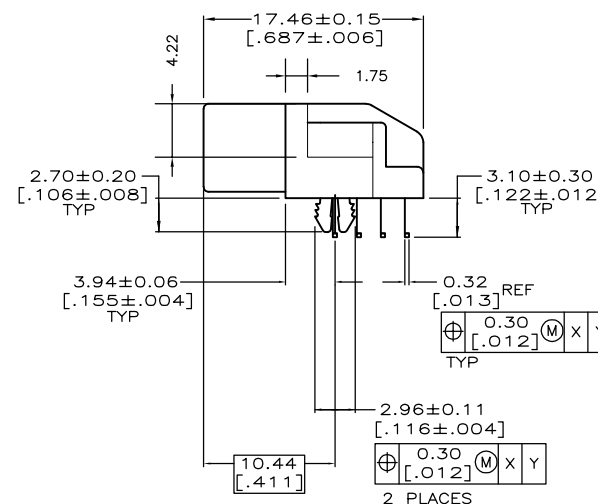
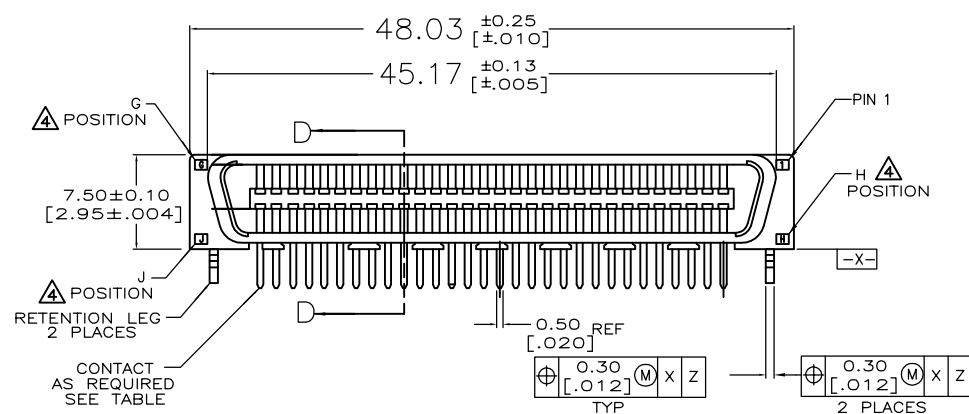
© COPYRIGHT - By -

ALL RIGHTS RESERVED.

P	LTR	DESCRIPTION	DATE	DWN	APVD
-	-	SEE SHEET 1	-	-	-



SECTION D-D
SCALE 8:1



30	60	31	GOLD FLASH	9-1734099-6	
			0.381um[15u"]	8-1734099-6	60
			△	7-1734099-6	
GA	JA	HA	GOLD PLATED	PART NUMBER	POS.

THIS DRAWING IS A CONTROLLED DOCUMENT.

DWN F. YANG 31MAR2009

CHK S. CHIEN 31MAR2009

APVD W. KODAMA 31MAR2009

PRODUCT SPEC

108-57876

APPLICATION SPEC

WEIGHT -

CUSTOMER DRAWING

STE TE Connectivity

NAME

PLUG ASSEMBLY, R/A,

BTB, CHAMP .050, SERIES I

SIZE CAGE CODE DRAWING NO RESTRICTED TO

A3 00779 C=1734099

SCALE SHEET 2 of 5 REV H

DIMENSIONS: mm TOLERANCES UNLESS OTHERWISE SPECIFIED:

0 PLC	± -
1 PLC	± 0.25
2 PLC	± 0.2
3 PLC	± -
4 PLC	± -
ANGLES	± -

MATERIAL

SEE NOTE

FINISH

SEE NOTE

THIS DRAWING IS UNPUBLISHED.

RELEASED FOR PUBLICATION

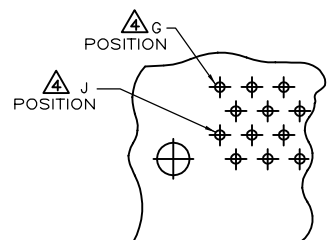
- , -

REVISIONS

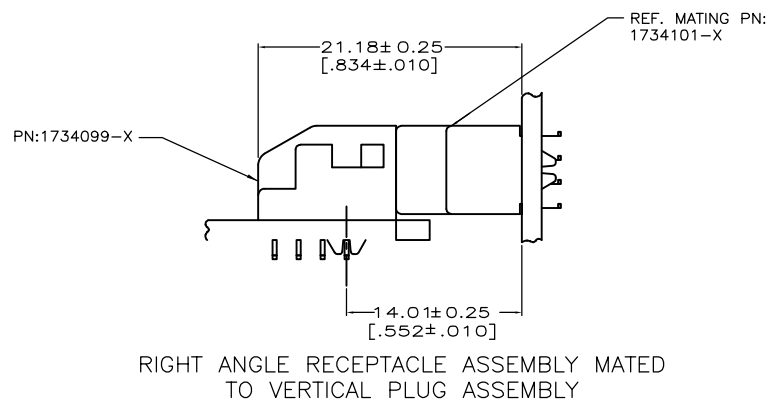
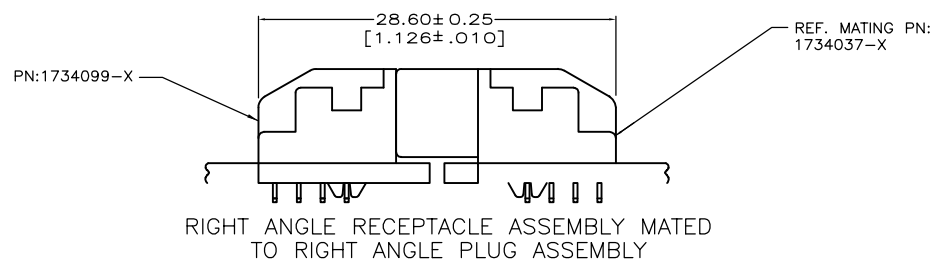
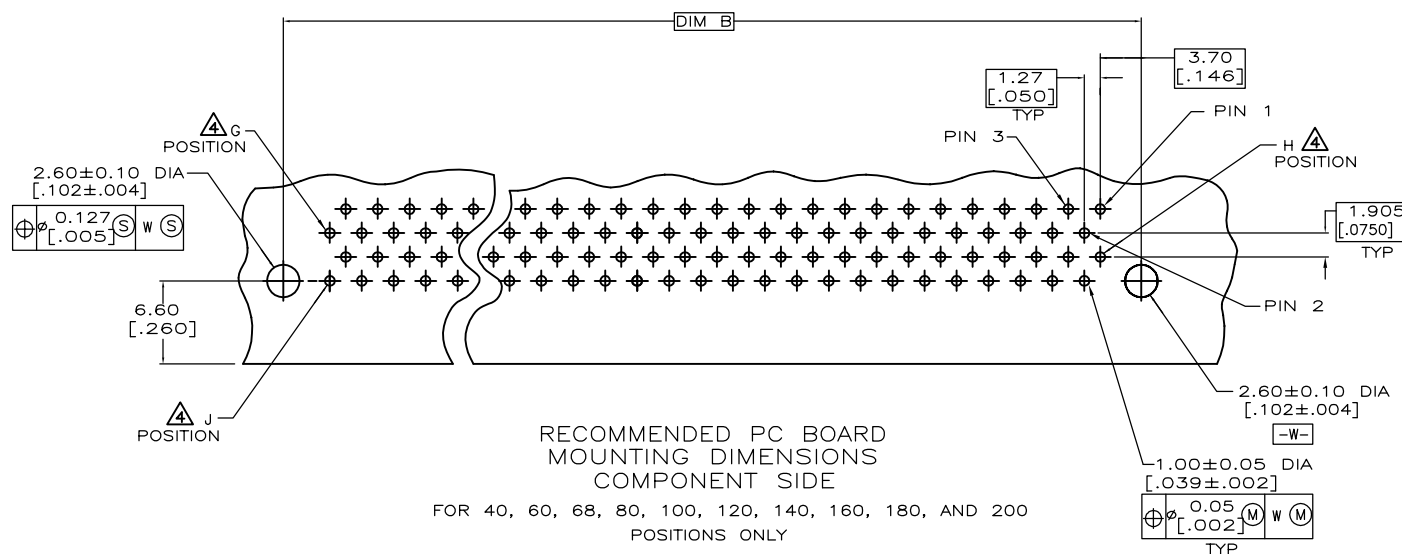
© COPYRIGHT - By -

ALL RIGHTS RESERVED.

P	LTR	DESCRIPTION	DATE	DWN	APVD
-	-	SEE SHEET 1	-	-	-



FOR 50, AND 130 POSITIONS ONLY



THIS DRAWING IS A CONTROLLED DOCUMENT.		DWN		TE Connectivity	
DIMENSIONS: mm		CHK			
TOLERANCES UNLESS OTHERWISE SPECIFIED.		APVD		NAME	
0 PLC ± - 1 PLC ± - 2 PLC ± - 3 PLC ± - 4 PLC ± - ANGLES ± -		PRODUCT SPEC		PLUG ASSEMBLY, R/A, BTB, CHAMP .050, SERIES I	
MATERIAL		FINISH		SIZE CAGE CODE DRAWING NO RESTRICTED TO	
				A3 00779 C=1734099	
		CUSTOMER DRAWING		SCALE SHEET 3 of 5 REV H	

THIS DRAWING IS UNPUBLISHED.

RELEASED FOR PUBLICATION

© COPYRIGHT - By -

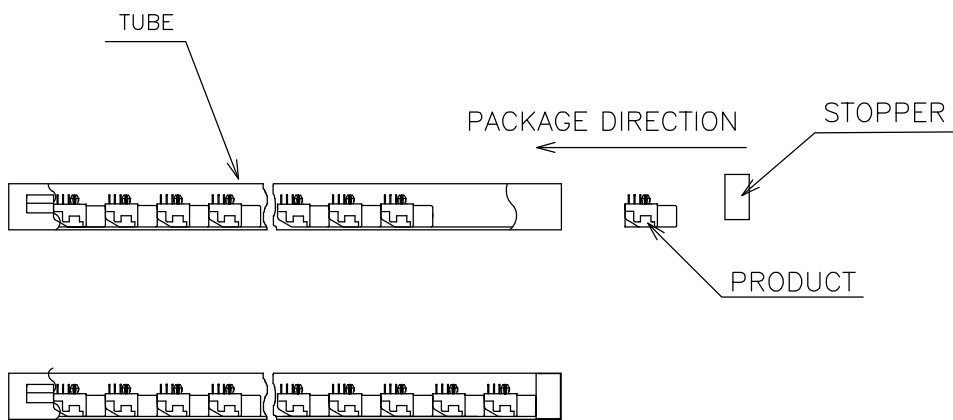
ALL RIGHTS RESERVED.

REVISIONS

P	LTR	DESCRIPTION	DATE	DWN	APVD
-	-	SEE SHEET 1	-	-	-

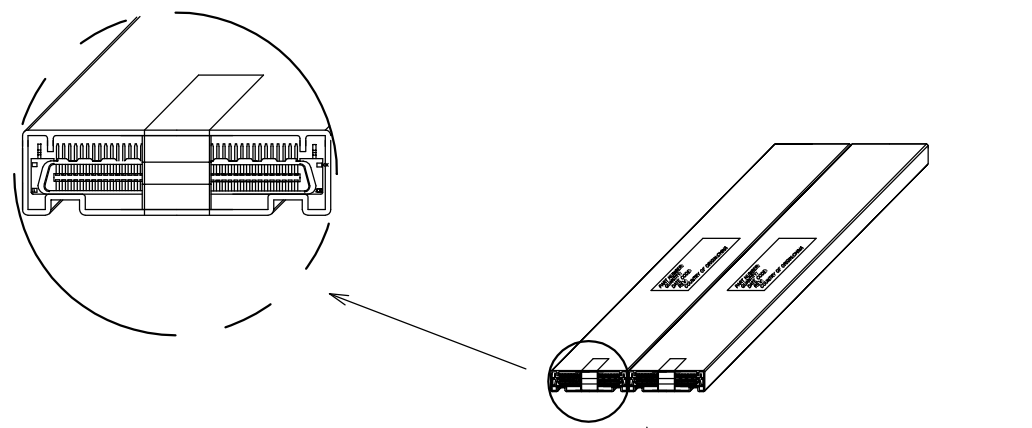
D

D



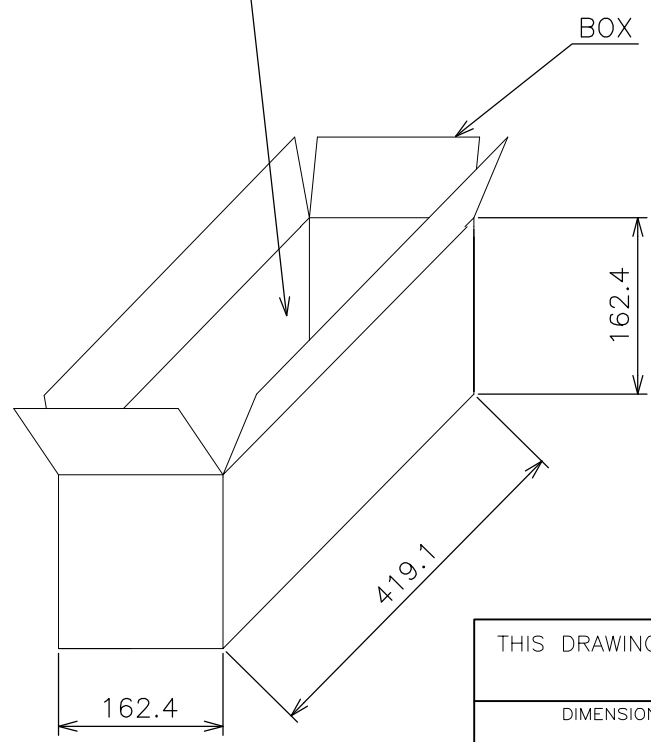
C

C



B

B



A

A

POS.	Q'TY/TUBE	TUBE/BOX	Q'TY/BOX	N/W (KG)	G/W (KG)	PART NUMBER
100	21	16	336	2.60	3.44	5-1734099-0
						3-1734099-0
						1-1734099-0
80	21	16	336	2.15	3.00	4-1734099-8
						2-1734099-8
						1734099-8

THIS DRAWING IS A CONTROLLED DOCUMENT.

DIMENSIONS: mm

TOLERANCES UNLESS OTHERWISE SPECIFIED:

0 PLC	± -
1 PLC	± -
2 PLC	± -
3 PLC	± -
4 PLC	± -
ANGLES	± -

MATERIAL: _____ FINISH: _____

STE TE Connectivity

PLUG ASSEMBLY, R/A, BTB, CHAMP .050, SERIES I

SIZE: A3 CAGE CODE: 00779 DRAWING NO: C-1734099 RESTRICTED TO: _____

CUSTOMER DRAWING SCALE: _____ SHEET: 4 of 5 REV: H

4

3

2

1

THIS DRAWING IS UNPUBLISHED.

RELEASED FOR PUBLICATION

ALL RIGHTS RESERVED.

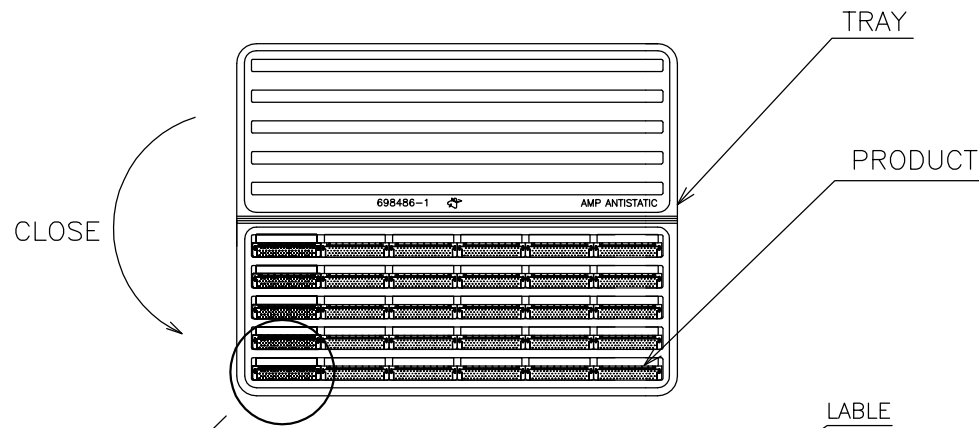
© COPYRIGHT - By -

REVISIONS

P	LTR	DESCRIPTION	DATE	DWN	APVD
-	-	SEE SHEET 1	-	-	-

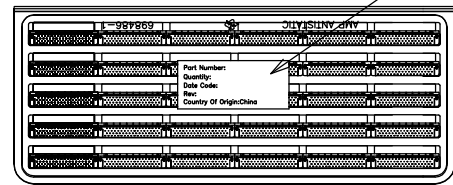
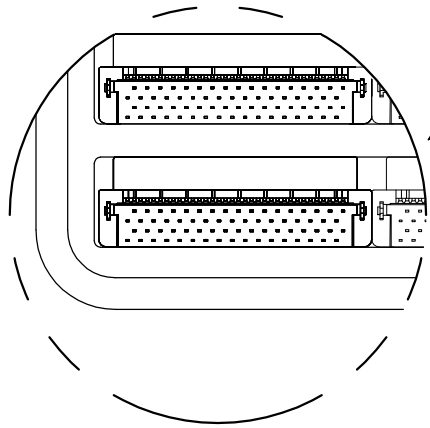
D

D



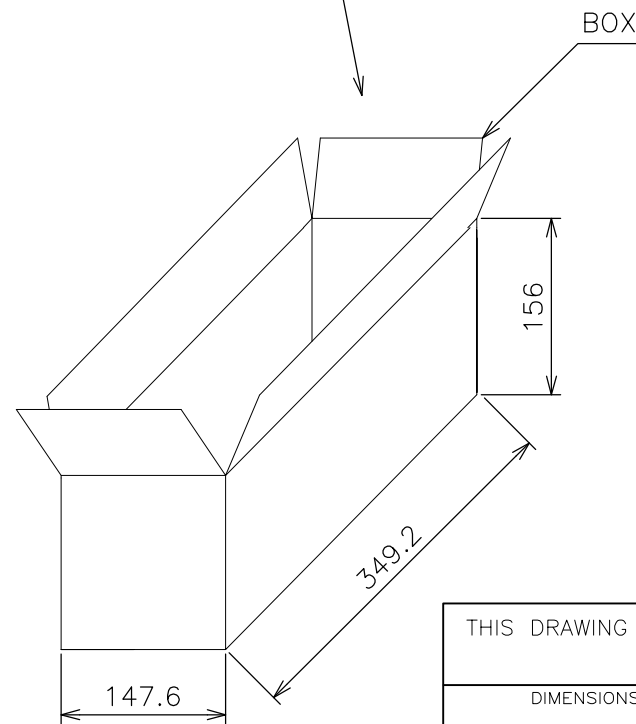
C

C



B

B



A

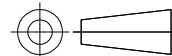
A

POS.	Q'TY/ TRAY	TRAY/ BOX	Q'TY/ BOX	N/W (KG)	G/W (KG)	PART NUMBER		
E1	OBSOLETE	10	10	100	1.40	2.35	5-1734099-8	
		200					3-1734099-8	
							1-1734099-8	
		160	10	10	100	1.18	2.13	5-1734099-6
								3-1734099-6
								1-1734099-6
E1	OBSOLETE	140	15	10	150	1.59	2.46	5-1734099-4
								3-1734099-4
								1-1734099-4
		120	15	10	150	1.20	2.15	5-1734099-2
								3-1734099-2
								1-1734099-2
		68	30	10	300	1.69	2.64	4-1734099-7
								2-1734099-7
								1734099-7
		60	30	10	300	1.53	2.48	4-1734099-6
								2-1734099-6
								1734099-6
		50	35	10	350	1.58	2.56	4-1734099-5
								2-1734099-5
								1734099-5
		40	45	10	450	1.71	2.66	4-1734099-4
								2-1734099-4
								1734099-4

THIS DRAWING IS A CONTROLLED DOCUMENT.

DIMENSIONS:

mm



MATERIAL

TOLERANCES UNLESS OTHERWISE SPECIFIED.

- 0 PLC ± -
- 1 PLC ± -
- 2 PLC ± -
- 3 PLC ± -
- 4 PLC ± -
- ANGLES ± -
- FINISH

DWN	-
CHK	-
APVD	-
PRODUCT SPEC	-
APPLICATION SPEC	-
WEIGHT	-
CUSTOMER DRAWING	-



NAME			
PLUG ASSEMBLY, R/A, BTB, CHAMP .050, SERIES I			
SIZE	CAGE CODE	DRAWING NO	RESTRICTED TO
A3	00779	C=1734099	-
SCALE		SHEET	REV
-		5 of 5	H

Mouser Electronics

Authorized Distributor

Click to View Pricing, Inventory, Delivery & Lifecycle Information:

[TE Connectivity:](#)

[1-1734099-2](#)