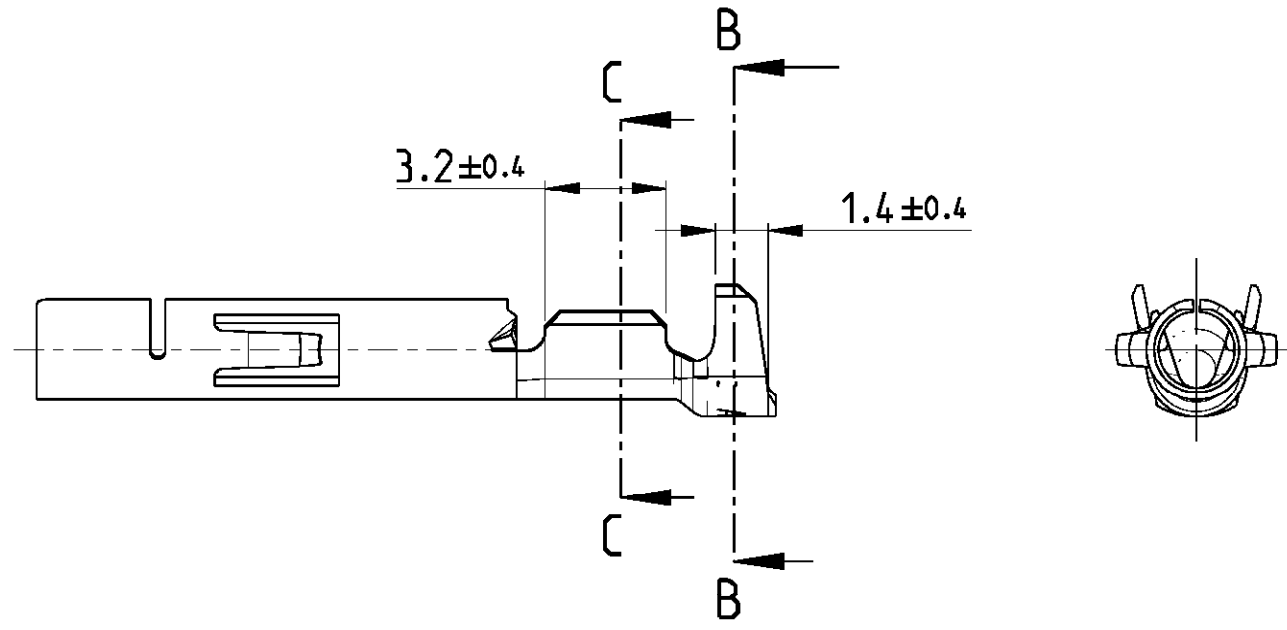
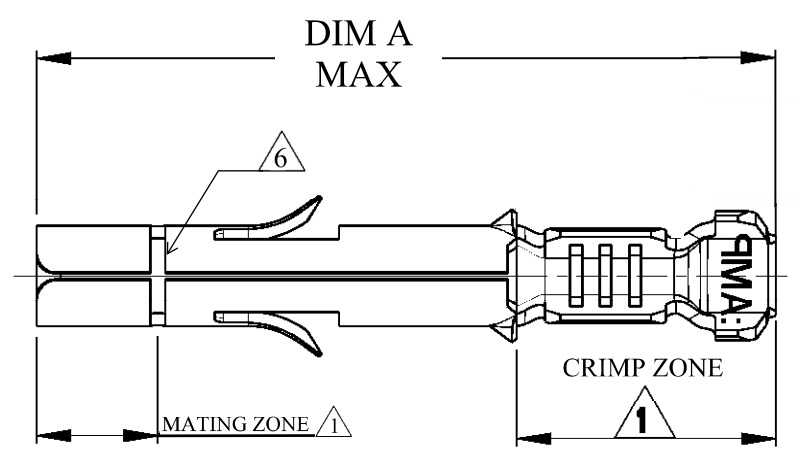


THIS DRAWING IS UNPUBLISHED
 RELEASED FOR PUBLICATION
 © COPYRIGHT - BY - ALL RIGHTS RESERVED.

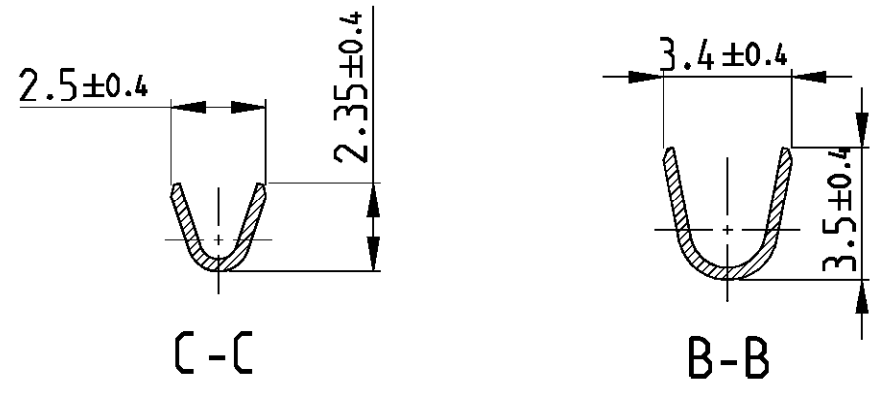
LOC	DIST	REVISIONS					
		P	LTR	DESCRIPTION	DATE	DWN	APVD
IR	-	G5		REVISED PER ECR-16-008286	27JUN2016	BW	RS



- △ 1 Au IN MATING ZONE, Sn IN CRIMP ZONE, Ni ON ENTIRE BODY OF TERMINAL.
- 3 INSULATION WIRE RANGE: Ø1.0-2.5mm.
- △ 6 SLOT IS ONLY AVAILABLE FOR 926895-1 & 926895-3.



926895-1 & -3 SHOWN



OBSOLETE	19.56	△ 1	BRASS	926895-7
	19.35	△ 1	PHOSPHOR BRONZE	926895-6
OBSOLETE	19.35	PRE-TIN PLATED	PHOSPHOR BRONZE	△ 6 926895-3
	19.35		BRASS	926895-2
	19.35	PRE-TIN PLATED	BRASS	△ 6 926895-1
DIM A		FINISH	MATERIAL	PART NO.
		COLOUR		

DIMENSIONS: mm	TOLERANCES UNLESS OTHERWISE SPECIFIED: 0 PLZ ±- 1 PVC ±- 2 L/C ±- 3 P/C ±- 4 P/LC ±- ANGLES -	DWN J.SALO 10NOV2008			
		CHK R.SOLE 10NOV2008			
MATERIAL SEE TABLE	FINISH SEE TABLE	APVD P.F.GRASSANO 10NOV2008	NAME UNIVERSAL M-N-L SOCKET 0.2-0.8 SQ.MM WIRE RANGE		
		PRODUCT SPEC 108-1031	SIZE A3	CAGE CODE -	DRAWING NO 926895
		APPLICATION SPEC 114-1010	WEIGHT -	SCALE 5:1	SHEET 1 OF 1
CUSTOMER DRAWING			REV G5		

Mouser Electronics

Authorized Distributor

Click to View Pricing, Inventory, Delivery & Lifecycle Information:

[TE Connectivity:](#)

[926895-3](#)