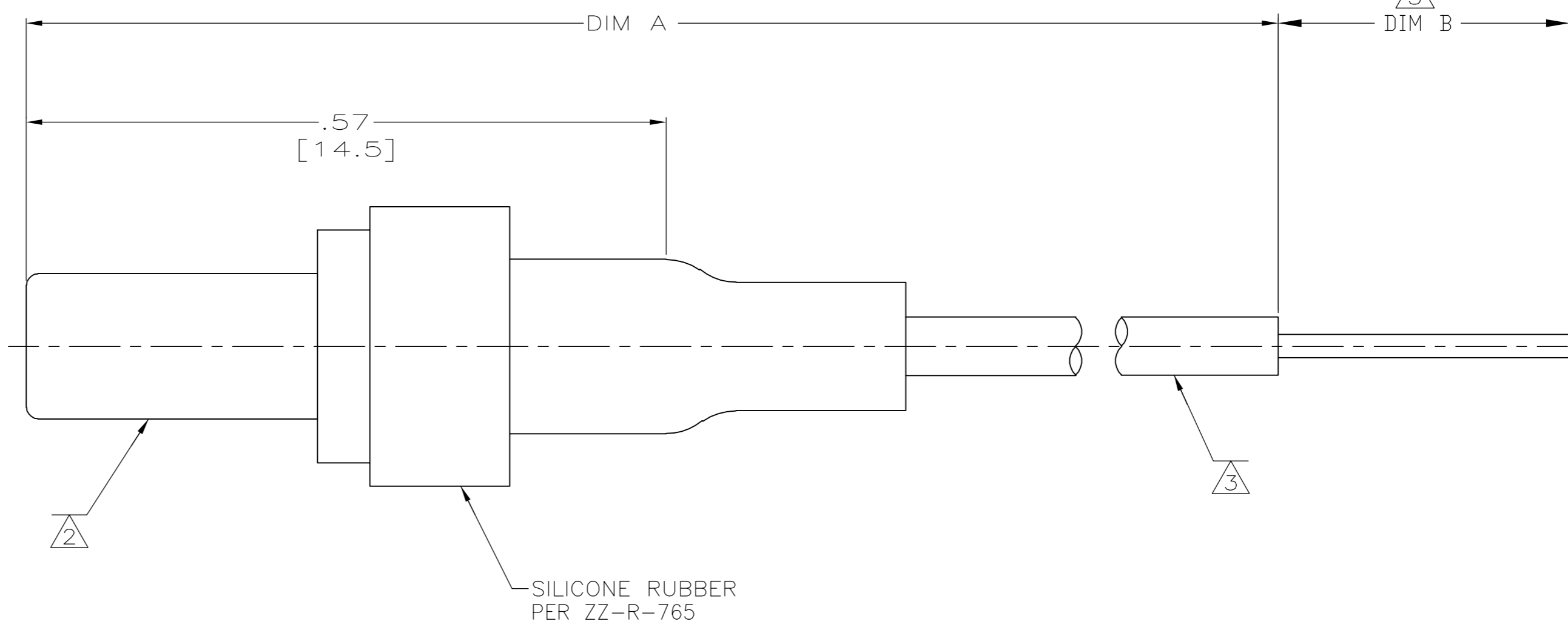
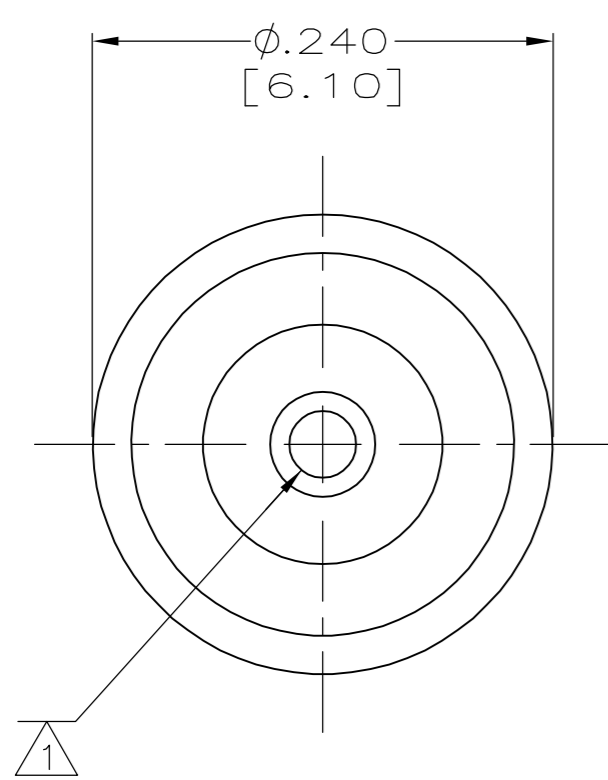


THIS DRAWING IS UNPUBLISHED. RELEASED FOR PUBLICATION
 © COPYRIGHT BY TYCO ELECTRONICS CORPORATION. ALL RIGHTS RESERVED.

LOC	DIST	REVISIONS					
DF	S0	P	LTR	DESCRIPTION	DATE	DWN	APVD
		F		REV PER ECO 06-025126	11-16-06	CT	DE



- △ SIZE 22 SOCKET CONTACT:
 MAT'L: COPPER ALLOY PER MIL-C-39029
 FINISH: GOLD PLATED .000050 [0.00127] MIN THK.
 PER ASTM-B-488 OVER NICKEL PER QQ-N-290.
- △ PLUG HOUSING:
 MAT'L: GLASS FILLED POLYETHERIMIDE RESIN.
- △ CONDUCTOR:
 24 (19/36) AWG SILVER PLATED COPPER
 INSULATION: SILICONE COATED FEP; $\phi 0.060 \pm 0.005$ [1.52 ± 0.13].
- 4. OPERATING VOLTAGE: 12 KVDC AT 70,000 FT. ALTITUDE.
 TEST VOLTAGE: 18 KVDC AT 70,000 FT. ALTITUDE.
- △ PIGTAIL IS SOLDER DIPPED ON -1 & -2 ONLY.

---	9.25 ± .25 [234.95 ± 6.35]	448660-3
.25 ± .06 [6.35 ± 1.52]	72.00 ± 1.00 [1828.8 ± 25.4]	448660-2
.25 ± .06 [6.35 ± 1.52]	7.00 ± .25 [177.8 ± 6.4]	448660-1
DIM B	DIM A	PART NUMBER

THIS DRAWING IS A CONTROLLED DOCUMENT.

DIMENSIONS: INCHES [mm]	TOLERANCES UNLESS OTHERWISE SPECIFIED: 0 PLC ± - 1 PLC ± - 2 PLC ± .01 [0.3] 3 PLC ± .005 [0.13] 4 PLC ± - ANGLES ± - FINISH SEE CALLOUTS	DWN C.C.THOMAS 8-17-98 CHK D.EABY 8-17-98 APVD D.EABY 8-17-98 PRODUCT SPEC APPLICATION SPEC WEIGHT - CUSTOMER DRAWING	NAME PLUG ASSY, MICRO-MINIATURE, 240 SERIES LGH	SIZE A2 CAGE CODE 00779 DRAWING NO C=448660 SCALE 10:1	RESTRICTED TO - SHEET 1 OF 1 REV F
----------------------------	--	---	---	---	--

AMP Tyco Electronics Corporation
 Harrisburg, PA 17105-3608

Mouser Electronics

Authorized Distributor

Click to View Pricing, Inventory, Delivery & Lifecycle Information:

[TE Connectivity:](#)

[5-448660-1](#)