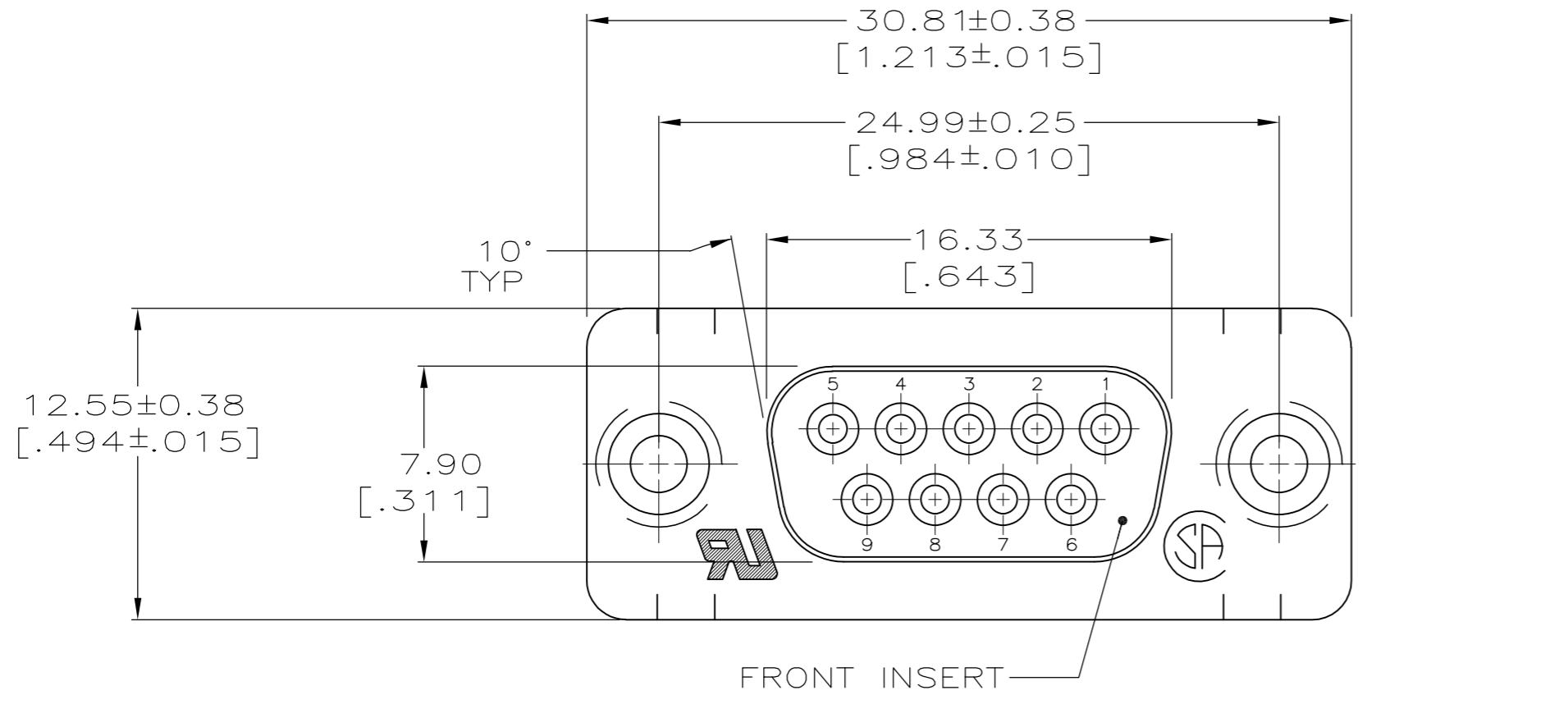
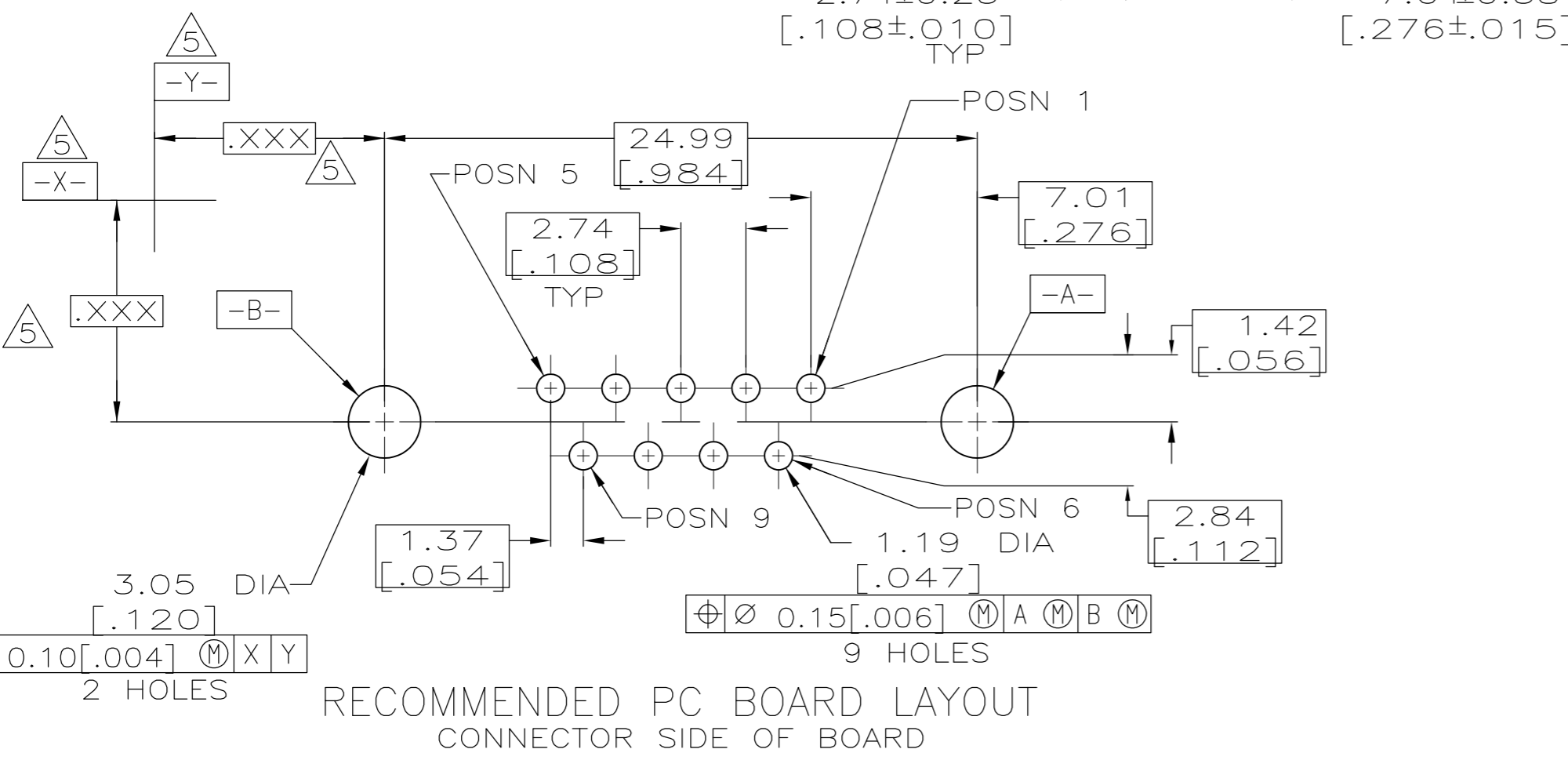
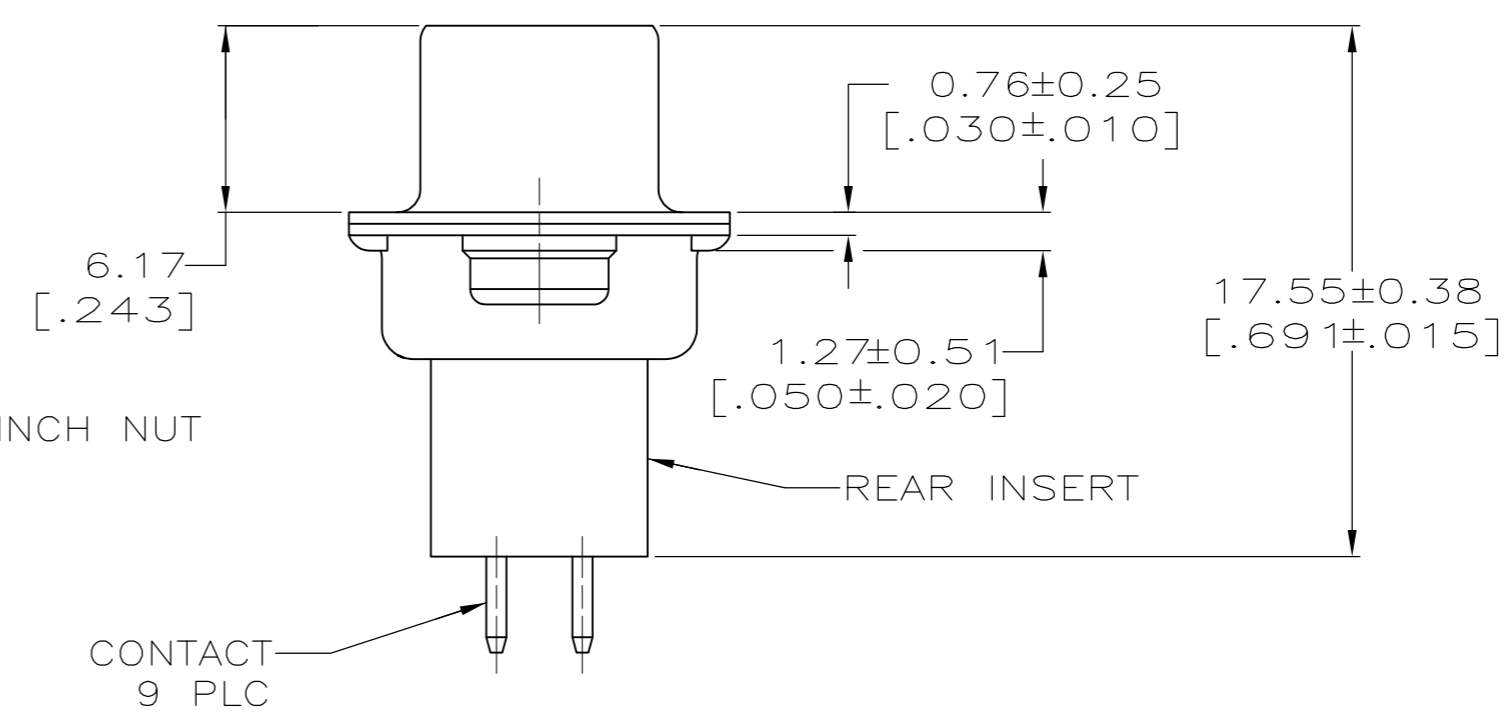
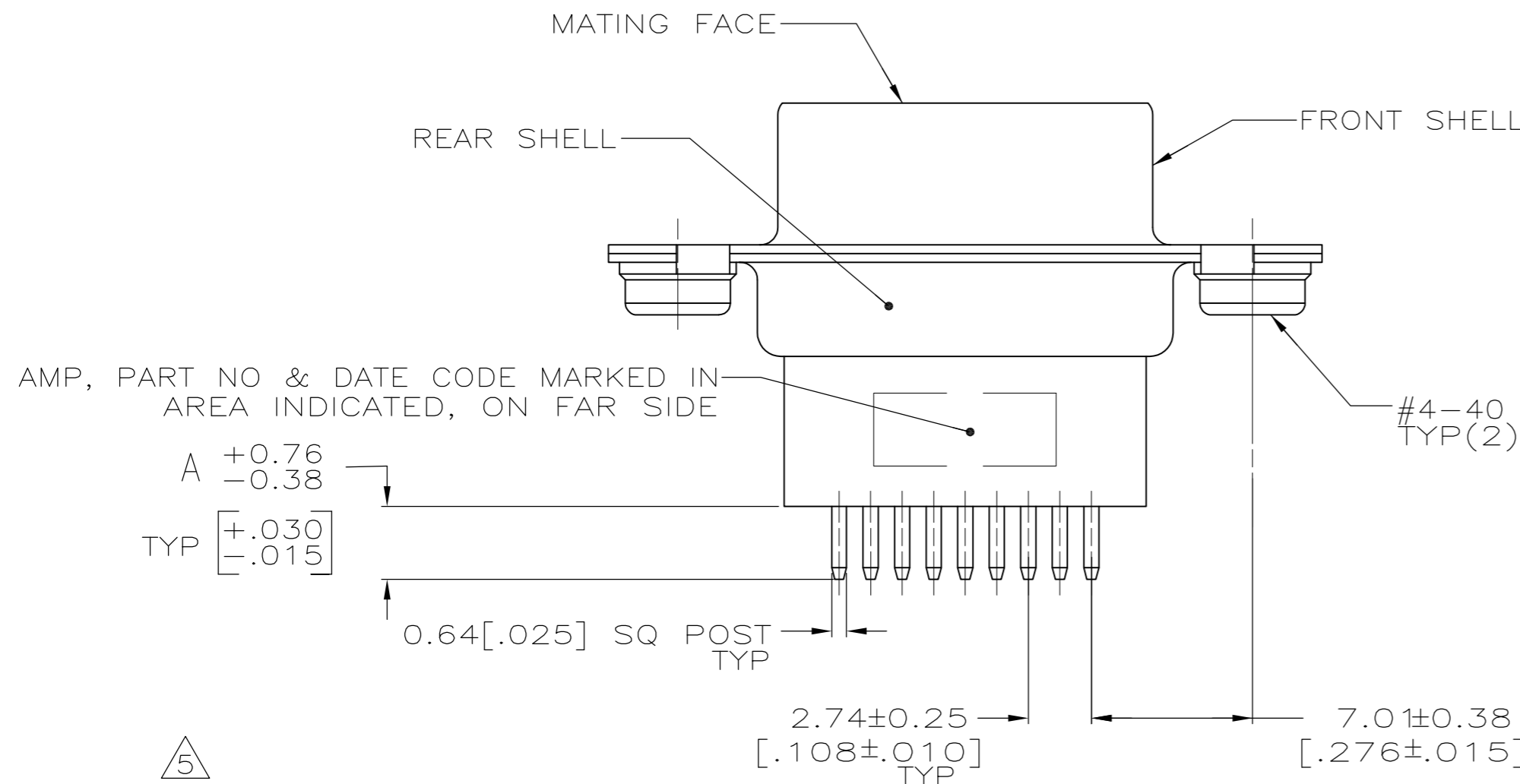


THIS DRAWING IS UNPUBLISHED. RELEASED FOR PUBLICATION
 © COPYRIGHT BY TYCO ELECTRONICS CORPORATION. ALL RIGHTS RESERVED.

LOC		DIST		REVISIONS			
P	LTR	DESCRIPTION	DATE	DWN	APVD		
GP	00						
	J	REVISED PER ECO-10-000073	08FEB2010	CR	SB		



- ① MOLDED PARTS: BLACK NYLON OR POLYESTER, UL 94V-0 RATED, GLASS FILLED;
CONTACTS: PHOSPHOR BRONZE
SHELLS: CARBON STEEL
CLINCH NUT: CARBON STEEL
- ② GOLD FLASH FOR LENGTH OF 1.90 [.075] MIN FROM MATING END, 2.54µm [.000100] MIN TIN-LEAD FOR A LENGTH OF DIMENSION A FROM OPPOSITE END, BOTH OVER 1.27µm [.000050] MIN NICKEL.
- ③ 0.76µm [.000030] MIN GOLD FOR LENGTH OF 1.90 [.075] MIN FROM MATING END, 2.54µm [.000100] MIN TIN-LEAD FOR A LENGTH OF DIMENSION A FROM OPPOSITE END, BOTH OVER 1.27µm [.000050] MIN NICKEL.
-OR-
GOLD FLASH OVER PALLADIUM-NICKEL, 0.76µm [.000030] MIN TOTAL FOR A LENGTH OF 1.90 [.075] MIN FROM MATING END, 2.54µm [.000100] MIN TIN-LEAD FOR A LENGTH OF DIMENSION A FROM OPPOSITE END, BOTH OVER 1.27µm [.000050] MIN NICKEL.
- ④ SHELLS: 5.08µm [.000200] MIN TIN OVER 2.54µm [.000100] MIN COPPER
CLINCH NUT: ZINC PLATED WITH CLEAR CHROMATE COATING.
- ⑤ DATUMS AND BASIC DIMENSIONS ESTABLISHED BY CUSTOMER.



CONTACT FINISH	DIMENSION A	PART NUMBER
		747190-8
		747190-7
		747190-6
		747190-5
		747190-4
		747190-3
		747190-2
		747190-1

THIS DRAWING IS A CONTROLLED DOCUMENT.		DWN J.GERACE 3-11-83	Tyco Electronics Corporation Harrisburg, PA 17105-3608
DIMENSIONS: mm [INCHES]		CHK J.GERACE 4-28-83	
TOLERANCES UNLESS OTHERWISE SPECIFIED:		APVD J. ASSINI 4-29-83	NAME RECEPTACLE ASSEMBLY, SIZE 1, 9 POS., VERTICAL, .025 SQ. POSTS, W/CLINCH NUTS, AMPLIMITE
0 PLC ± -		PRODUCT SPEC 108-40025	
1 PLC ± -		APPLICATION SPEC 114-40013	SIZE A2
2 PLC ± .013[.005]		WEIGHT -	CAGE CODE 00779
3 PLC ± -		MATERIAL ① FINISH ④ CUSTOMER DRAWING	DRAWING NO C=747190
4 PLC ± -			RESTRICTED TO -
ANGLES ± 2°		SCALE 4:1	SHEET 1 of 1
FINISH ④		REV J	

Mouser Electronics

Authorized Distributor

Click to View Pricing, Inventory, Delivery & Lifecycle Information:

[TE Connectivity:](#)

[747190-2](#)