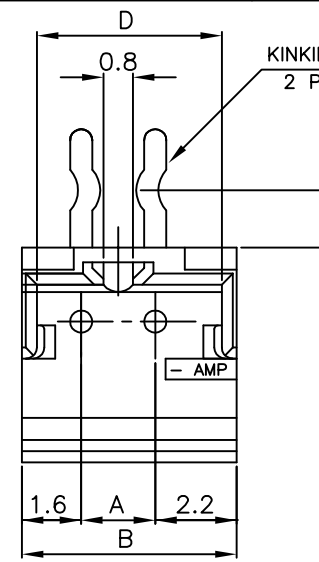
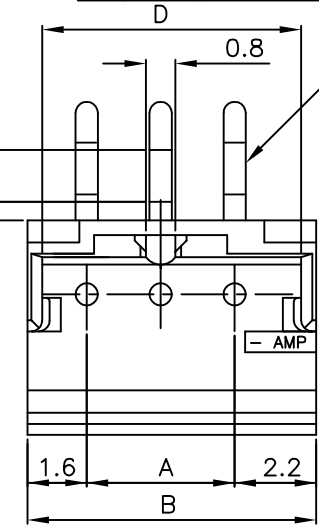
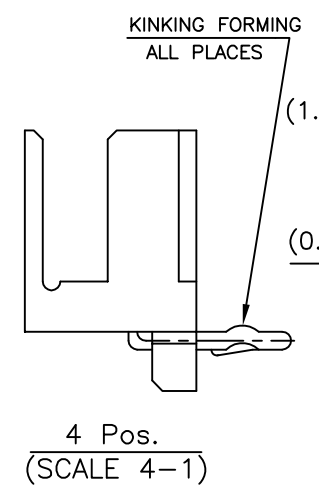
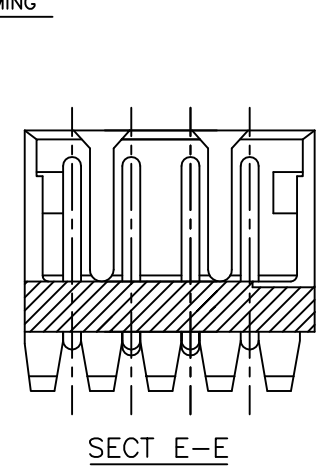
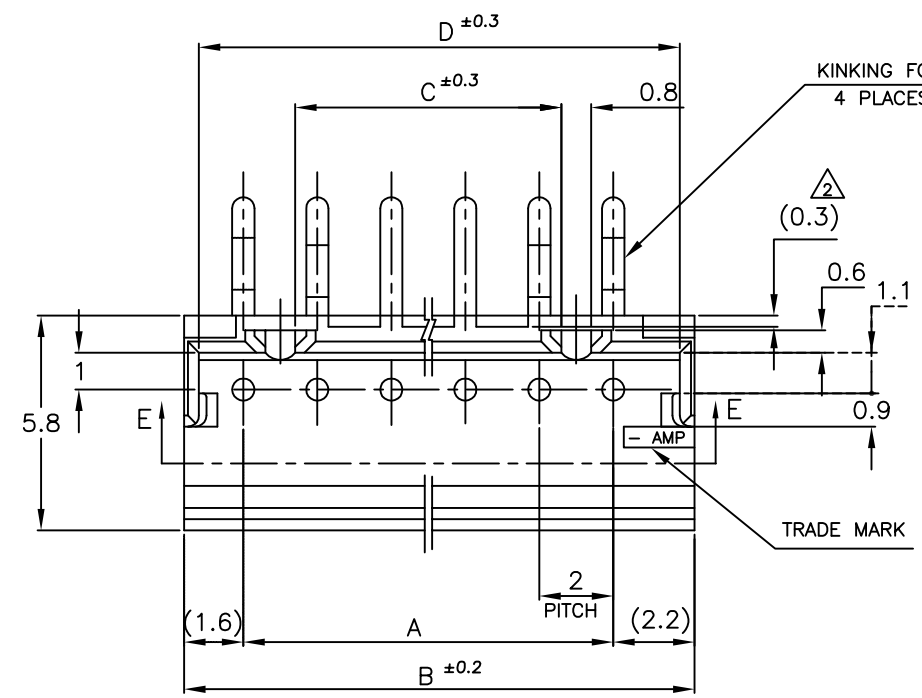


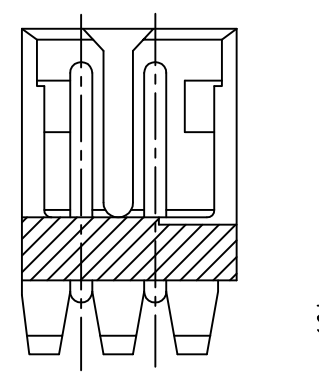
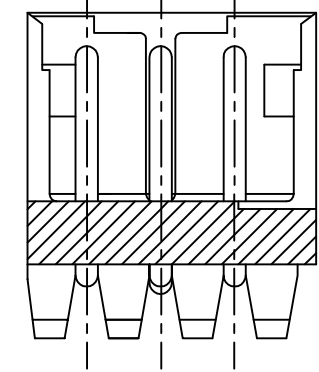
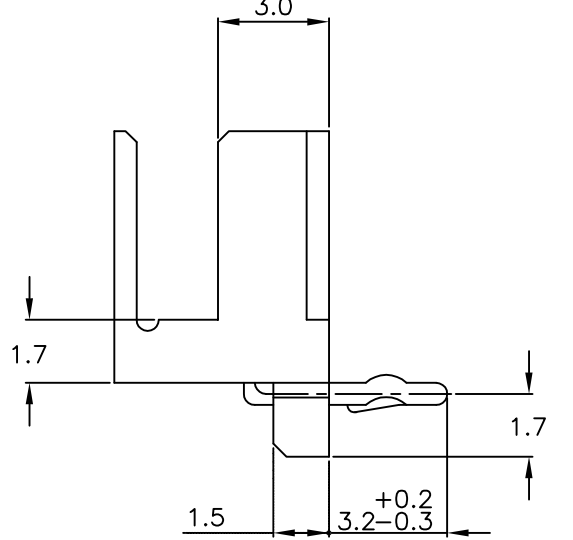
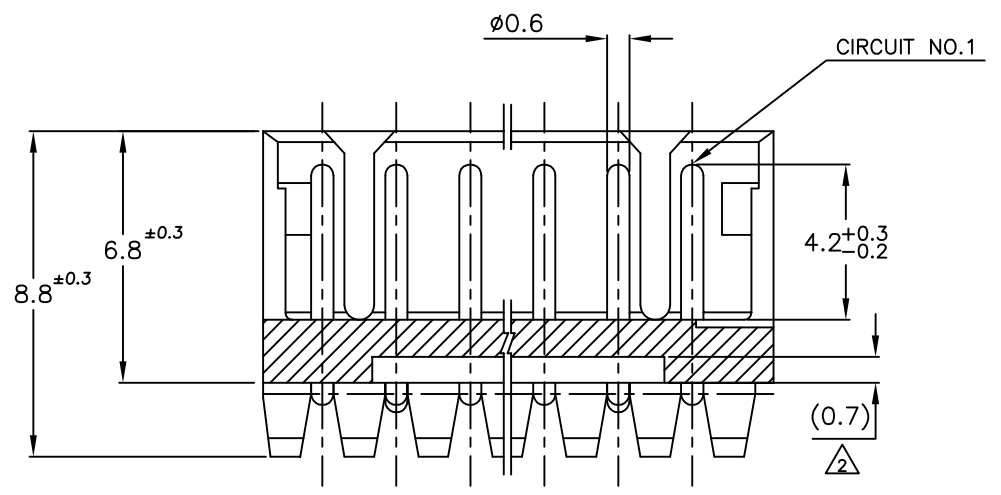
THIS DRAWING IS UNPUBLISHED. RELEASED FOR PUBLICATION
 © COPYRIGHT - By - ALL RIGHTS RESERVED.

| | | | | |
|-----|------|-----------|---------|---------------|
| LOC | DIST | REVISIONS | | |
| FB | 00 | P | LTR | DESCRIPTION |
| | | P1 | REVISED | ECR-14-006619 |
| | | | | DATE |
| | | | | 15MAY14 |
| | | | | DWN |
| | | | | T.Q |
| | | | | APVD |
| | | | | W.H |

D



C



B

SECT E-E

5~15 Pos.

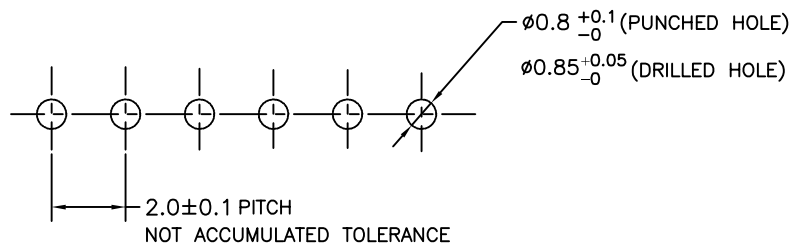
3 Pos. SECT E-E

2 Pos. SECT E-E

NOTES:

- 1. MATERIAL: HOUSING - NYLON 66 (UL94V-0)
 POST - TIN BRASS
- △ 12 POS ~ 15 POS ONLY

| | | | | | | | | |
|------------|------------|------------|------------|------|----|------|------|------|
| 7-292250-5 | 5-292250-5 | 3-292250-5 | 1-292250-5 | 15 | 28 | 31.8 | 25.2 | 31.0 |
| 7-4 | 5-4 | 3-4 | 1-4 | 14 | 26 | 29.8 | 23.2 | 29.0 |
| 7-3 | 5-3 | 3-3 | 1-3 | 13 | 24 | 27.8 | 21.2 | 27.0 |
| 7-2 | 5-2 | 3-2 | 1-2 | 12 | 22 | 25.8 | 19.2 | 25.0 |
| 7-1 | 5-1 | 3-1 | 1-1 | 11 | 20 | 23.8 | 17.2 | 23.0 |
| 7-0 | 5-0 | 3-0 | 1-0 | 10 | 18 | 21.8 | 15.2 | 21.0 |
| 6-9 | 4-9 | 2-9 | -9 | 9 | 16 | 19.8 | 13.2 | 19.0 |
| 6-8 | 4-8 | 2-8 | -8 | 8 | 14 | 17.8 | 11.2 | 17.0 |
| 6-7 | 4-7 | 2-7 | -7 | 7 | 12 | 15.8 | 9.2 | 15.0 |
| 6-6 | 4-6 | 2-6 | -6 | 6 | 10 | 13.8 | 7.2 | 13.0 |
| 6-5 | 4-5 | 2-5 | -5 | 5 | 8 | 11.8 | 5.2 | 11.0 |
| 6-4 | 4-4 | 2-4 | -4 | 4 | 6 | 9.8 | 3.2 | 9.0 |
| 6-3 | 4-3 | 2-3 | -3 | 3 | 4 | 7.8 | - | 7.0 |
| 6-292250-2 | 4-292250-2 | 2-292250-2 | 292250-2 | 2 | 2 | 5.8 | - | 5.0 |
| BLACK | YELLOW | BLUE | NATURAL | Pos. | A | B | C | D |



RECOMMENDABLE PCB LAYOUT
 (PCB THK: 0.8-1.6)

THIS DRAWING IS A CONTROLLED DOCUMENT.

| | | |
|------------------|-----------|---------|
| DWN | S.XU | 31JAN03 |
| CHK | S.YAO | 31JAN03 |
| APVD | T. SAKAI | 31JAN03 |
| PRODUCT SPEC | 108-60016 | |
| APPLICATION SPEC | | |
| WEIGHT | | |
| CUSTOMER DRAWING | | |

TE Connectivity

POST HEADER ASS'Y BOX-H DIP
 (AMP CT CONNECTOR 2mm PITCH)

| | | | |
|------|-----------|------------|---------------|
| SIZE | CAGE CODE | DRAWING NO | RESTRICTED TO |
| A3 | 00779 | C=292250 | - |

SCALE 5:1 SHEET 1 OF 1 REV P1

A

Mouser Electronics

Authorized Distributor

Click to View Pricing, Inventory, Delivery & Lifecycle Information:

[TE Connectivity:](#)

[1-292250-2](#)