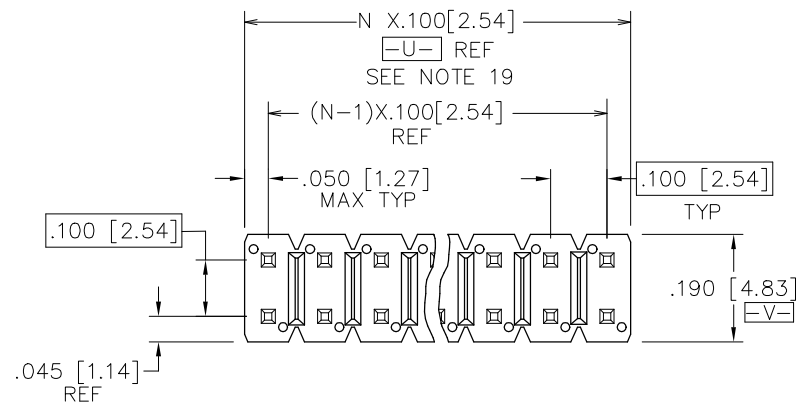


PRODUCT NUMBER
XXXXX-YYHXL

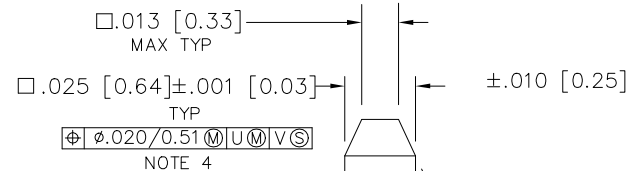
- LEAD FREE OPTION
SEE NOTE 1,13
- SPECIAL OPTIONS
SEE NOTE 1 OR 10
- HIGH TEMPERATURE PLASTIC
SEE NOTE 1
- NO OF POSITIONS
SEE NOTE 1
- PIN PLATING
SEE SHEET 2
- BASE PART NO.

67996-X XX XXX XXX X LF

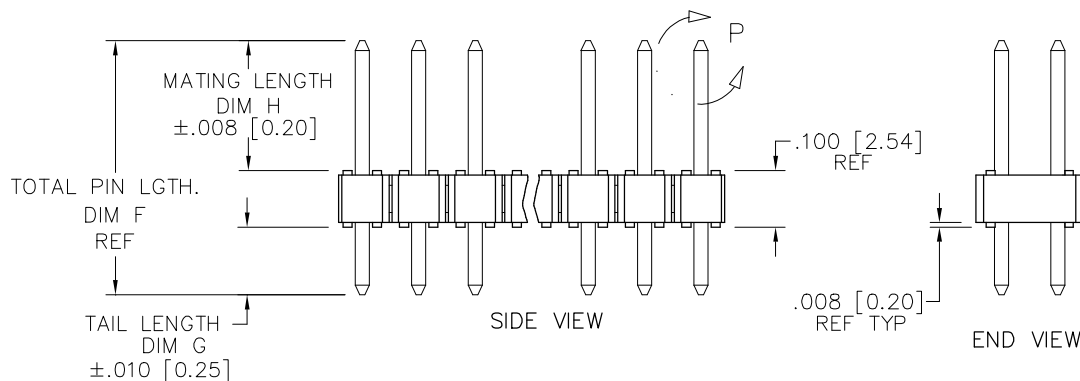
- PACKAGE
(SEE NOTE 20)
- TAIL LENGTH (EXAMPLE BELOW)
3.0mm=030 12.8mm=128
(SEE NOTE 16 & 17)
- MATING LENGTH (EXAMPLE BELOW)
5.0mm=050 25.5mm=255
(SEE NOTE 16 & 17)
- TOTAL NUMBER OF POSITIONS
FROM 2 (2X1) THRU 72 (2X36) POS.
- PIN PLATING (SEE NOTE 14)
1=0.76µm Au
4= PURE TIN
8=0.36µm Au
- BASE PART NO.
DOUBLE ROW



TOP VIEW



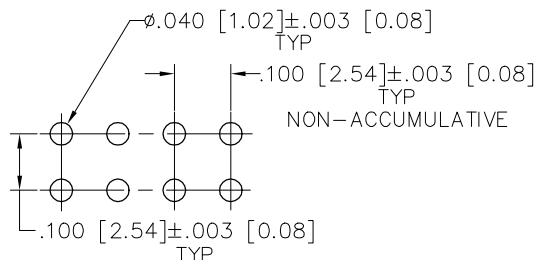
DETAIL P
SCALE 5:1
TYP BOTH ENDS



SIDE VIEW

END VIEW

NOTE 6



RECOMMENDED HOLE PATTERN

mat'l. code SEE NOTES 1 & 2		surface ISO 1302 ✓		tolerance ISO 406 ISO 1101		projection INCH/MM		product family BERGSTIK	
ltr	ecn no	dr	date	tolerances unless otherwise specified		title		BERGSTIK II HEADER D/R	
DF	N11-0180	J.Z	2011-05-31	angles	linear	scale 2:1		.100/2.54cc STRAIGHT	
DG	ELX-N-13471	J.Z	2011-11-16					sheet 1 of 8	
DH	ELX-N-16105	ZK	2013-10-22	0°±2'				size A3	
DJ	ELX-N-37975	MKX	2020-8-11	dr	T.BREWBAKER	12/21/94		67996	
				enr	T.HANNA	07/21/99		type Product Customer Drawing	
				chr	J.MURPHY	07/21/99			
				appd	T.HANNA	07/21/99			
sheet index	revision sheet	DJ	1-8						

PIN PLATING CODES:

XXXXX-1YY	30u"/0.76u MIN (SEE NOTE 14) OVER 50u"/1.27u MIN Ni
XXXXX-2YY	15u"/0.38u MIN (SEE NOTE 14) OVER 50u"/1.27u MIN Ni
XXXXX-3YY	50u"/1.27u MIN (SEE NOTE 14) OVER 50u"/1.27u MIN Ni
XXXXX-4YY	100u"/2.54u MIN Sn OVER 50u"/1.27u MIN Ni (SEE NOTE 15)
XXXXX-4YYHLF	
XXXXX-5YY	15u"/0.38u MIN (SEE NOTE 14) OVER 50u"/1.27u MIN Ni
XXXXX-6YY	30u"/0.76u MIN (SEE NOTE 14) OVER 50u"/1.27u MIN Ni
XXXXX-7YY	30u"/0.76u MIN (SEE NOTE 14) OVER 50u"/1.27u MIN Ni
XXXXX-8YY	15u"/0.38u MIN (SEE NOTE 14) OVER 50u"/1.27u MIN Ni
XXXXX-9YY	15u"/0.38u MIN (SEE NOTE 14) OVER 50u"/1.27u MIN Ni
XXXXX-0YY	30u"/0.76u MIN (SEE NOTE 14) OVER 50u"/1.27u MIN Ni

NOTES

1. PART NUMBER OPTIONS:
PIN PLATING CODES (SEE ABOVE)

HIGH TEMPERATURE MATERIAL:

PART NUMBERS WITH AND WITHOUT "H" WILL BE SUPPLIED WITH HIGH TEMPERATURE PLASTIC.

NUMBER OF POSITIONS :

EVEN NUMBER OF POSITIONS FROM 2 (2X1) THROUGH 72 (2X36).
-X00H INDICATES BERGSTRIIP PRODUCT. SEE PAGE 3
FOR SPECIAL GEOMETRY OF THIS CONTINUOUS STRIP PRODUCT.
AUTOMATED REELS WILL CONTAIN 45,000 PINS.
SEE SPECIFIC PART NUMBERS FOR AVAILABILITY.

PACKAGING:

PACKAGED IN POLY BAGS.
EIGHT DIGIT PART NUMBERS FOLLOWED BY A "T" ARE PACKAGED IN TUBES. SEE SPECIFIC PART NUMBERS FOR AVAILABILITY.
EIGHT DIGIT PART NUMBERS FOLLOWED BY A "G" ARE PACKAGED IN GPAX FOR IBM ONLY. SEE SPECIFIC PART NUMBERS FOR AVAILABILITY.
PART NUMBERS FOLLOWED BY A "C" ARE PACKAGED IN TUBES WITH A PICKUP CAP APPLIED.
EIGHT DIGIT PART NUMBERS FOLLOWED BY A "A" ARE PACKAGED IN TAPE/REEL WITH PICKUP CAP P/N 95730-003 APPLIED.

LEAD FREE:

ADD "HLF" SUFFIX AT THE END OF PART NUMBER FOR LEAD FREE OPTION, NOT AVAILABLE FOR -5YY,-5YYH, -6YY & -6YYH

2. BODY MATERIAL:

BODY MATERIAL : MANUFACTURER'S OPTION OF NYLON, PCT GLASS FIBER REINFORCED OR MINERAL FILLED LCP FLAME RETARDENT PER UL-94V-0. COLOR: BLACK
BERGSTRIIP™ PRODUCED WITH HIGH TEMPERATURE LCP THERMOPLASTIC, FLAME RETARDENT PER UL-94V-0. COLOR: BLACK

PART NUMBERS WITH "H" AND WITHOUT SUFFIX WILL WITHSTAND EXPOSURE TO 260° C PEAK TEMPERATURE FOR 20 SECONDS IN WAVE SOLDER, INFRA-RED OR VAPOR PHASE SOLDER PROCESS.

3. PIN MATERIAL: PHOS BRONZE.

4. MEASURED WITH PART IN RESTRAINED CONDITION.

5. TWO SIDES OF PIN TIPS NOT PLATED. TYPICAL BOTH ENDS.

6. 2LBS/0.9KG MIN PIN RETENTION IN EITHER DIRECTION.

7. MILITARY BERGSTIK HEADER
P/N XXXXX-XYY-MIL
NOT AVAILABLE.

8. ±.010/0.25 TOL APPLIES TO ALL "G" TAILS EXCEPT INDICATED PARTS ON TABLE WHERE +.010/0.25 -.000/0.00 APPLIES.

9. NOTCH CONFIGURATION WILL VARY PER VENDOR'S DISCRETION.

10. BERGSTRIIP™ PART NUMBERS FOLLOWED BY BY A "B" ARE BULK PRICED.

11. TAIL LENGTH (DIM. G) TO BE ±.008/.0.20.

12. POSITIONS PER ROW 37 TO 50 CAN BE PRODUCED, BUT FLATNESS AND CURVATURE MAY NOT BE HELD AS CLOSE AS 36 POSITIONS.

13. THESE PRODUCTS MEETS EUROPEAN UNION DIRECTIVES AND OTHER COUNTRY REGULATION AS DESCRIBED IN GS-22-008.

14. PLATING OPTIONS:
PERFORMANCE PLATING WILL BE EITHER GOLD OR GXT ON POST OR TAIL, OPTIONALLY (78~295u"/2~7.5u) TIN ON TAIL.

15. "THIS PRODUCT HAS 100% TIN PLATING IN THE INTERFACE AND HAS NOT BEEN TESTED FOR WHISKER GROWTH IN ALL INTERCONNECT ENVIRONMENTS."

16. THE OAL DON'T EXCEED 34.5mm

17. INCREMENTS BY 0.1mm IN LENGTHS ONLY

18. FOR SPECIAL PACKAGING REQUEST PLEASE CONTACT PRODUCT MANAGER FOR AVAILABILITY

19. TO DETERMINE DIMENSIONS:
N=NUMBER OF POSITION PER ROW
EXAMPLE: 10 POS. N X .100/2.54

20. PART NUMBERS 67996 FOLLOWED BY A "D" ARE PACKAGED IN TAPE/REEL WITHOUT PICKUP CAP.

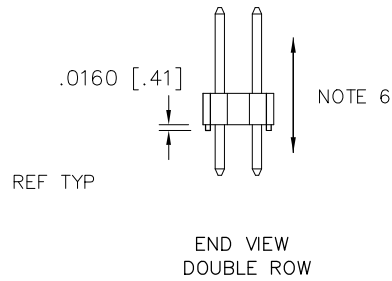
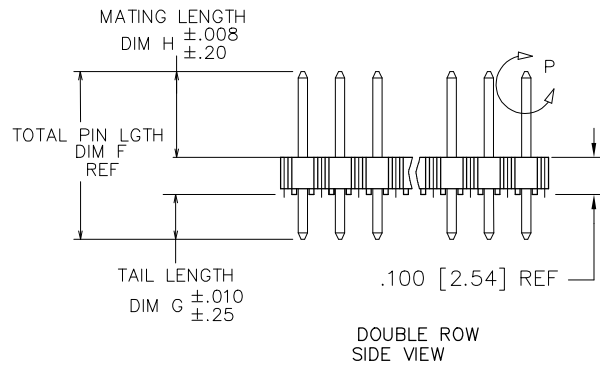
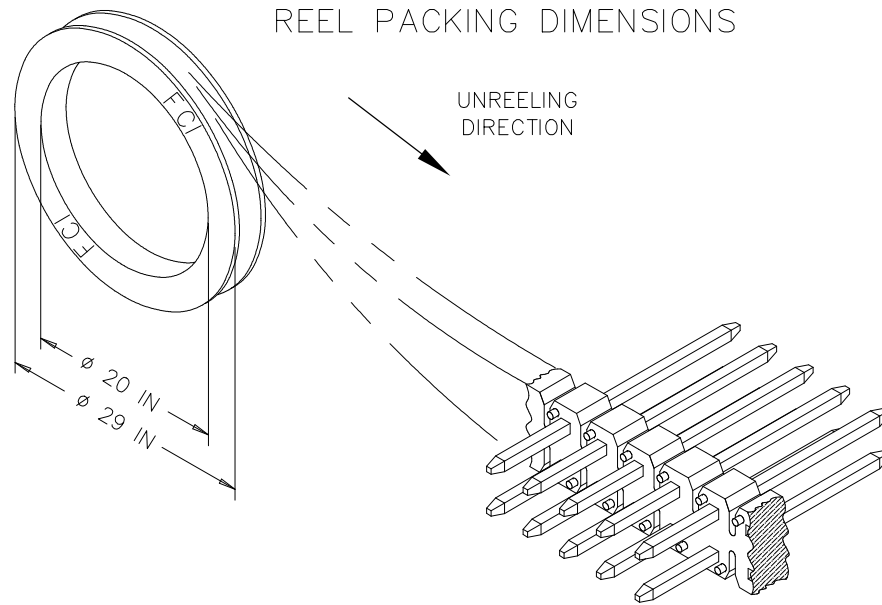
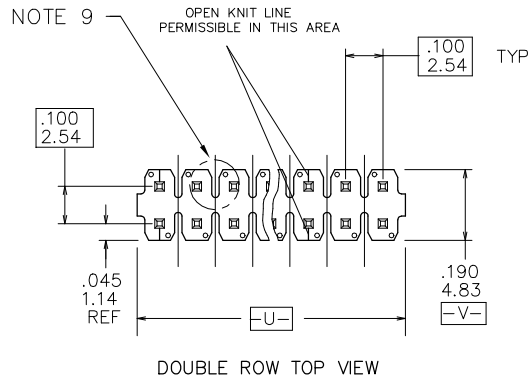


Amphenol FCI

© 2016 AFCI

mat'l. code		surface		tolerance		projection		product family	
SEE NOTES 1 & 2		ISO 1302 ✓		ISO 406 ISO 1101				BERGSTIK	
ltr		ecn		no		dr		date	
DJ									
		angles		linear		.xx±0.01/0.3		title	
		0±2'				.xxx±0.005/.xx±0.13		BERGSTIK II HEADER D/R	
						.xxxx±0.0020/.xxxx±0.051		.100/2.54cc STRAIGHT	
		dr		T.BREWBAKER		12/21/94		dwg no	
		enr		T.HANNA		07/21/99		sheet2 of 8	
		chr		J.MURPHY		07/21/99		size	
		appd		T.HANNA		07/21/99		A3	
sheet		revision		DJ				type	
index		sheet		1-8				Product Customer Drawing	

BERGSTRIPTM HEADER



mat'l. code SEE NOTES 1 & 2		surface ISO 1302 ✓	tolerance ISO 406 ISO 1101	projection INCH/MM	product family BERGSTIK
ltr		tolerances unless otherwise specified		scale 2:1	title BERGSTIK II HEADER D/R .100/2.54cc STRAIGHT
DJ	ecn no dr date	angles	linear		
		0°±2'	.xx±0.01/0.3 .xxx±0.005/.xx±0.13 .xxxx±0.0020/.xxx±0.051		dwg no 67996
		dr	T.BREWBAKER 12/21/94	Amphenol FCI	sheet 3 of 8 size A3
		enr	T.HANNA 07/21/99		type Product Customer Drawing
		chr	J.MURPHY 07/21/99		
		appd	T.HANNA 07/21/99		
sheet index	revision sheet	DJ 1-8			

PRODUCT NUMBER	TOT. PIN LGTH.		TAIL LENGTH		MATING LENGTH		PACKAGING	NOTES	BERGSTRIIP™ AVAILABLE	LF OPTION	
	DIM F	DIM F	DIM G	DIM G	DIM H	DIM H					
	ENGLISH	METRIC	ENGLISH	METRIC	ENGLISH	METRIC					
55005-XXXH	0.597	15.16	0.095	2.41	0.402	10.21	POLY BAGS	-	YES	OB NOTE 1,13	
55030-XXXH	0.630	16.00	0.150	3.81	0.380	9.65	POLY BAGS	-	YES		
67996-XY	0.425	10.80	0.095	2.41	0.230	5.84	POLY BAGS/TUBES	-	YES		
67997-XY	0.450	11.43	0.120	3.05	0.230	5.84	POLY BAGS/TUBES	-	YES		
67997-XXXH	0.450	11.43	0.120	3.05	0.230	5.84	POLY BAGS/TUBES	-	YES		
67998-XY	0.525	13.34	0.107	2.72	0.318	8.08	POLY BAGS/TUBES	-	YES		
67999-XY	0.548	13.92	0.130	3.30	0.318	8.08	POLY BAGS	-	NO		
68438-XY	0.555	14.10	0.225	5.72	0.230	5.84	POLY BAGS/TUBES	-	NO		OB
68439-XY	0.720	18.29	0.120	3.05	0.500	12.70	POLY BAGS	-	NO		
68464-XY	0.650	16.51	0.120	3.05	0.430	10.92	POLY BAGS/TUBES	-	NO		OB
68481-XY	0.480	12.19	0.095	2.41	0.285	7.24	POLY BAGS/TUBES	-	NO		
68482-XY	0.938	23.83	0.318	8.08	0.520	13.21	POLY BAGS	-	NO		
68491-XY	0.475	12.07	0.120	3.05	0.255	6.48	POLY BAGS/TUBES	-	NO		
68600-XY	0.825	20.96	0.115	2.92	0.610	15.49	POLY BAGS	-	NO		
68601-XY	0.620	15.75	0.120	3.05	0.400	10.16	POLY BAGS	-	NO		
68602-XY	0.480	12.19	0.150	3.81	0.230	5.84	POLY BAGS	-	YES		
68690-XY	0.533	13.54	0.115	2.92	0.318	8.08	POLY BAGS	-	NO		
68691-XY	0.538	13.67	0.120	3.05	0.318	8.08	POLY BAGS	-	YES		
68692-XY	0.430	10.92	0.100	2.54	0.230	5.84	POLY BAGS	-	NO		
68693-XY	0.938	23.83	0.520	13.21	0.318	8.08	POLY BAGS	-	NO		
68716-XY	0.828	21.03	0.410	10.41	0.318	8.08	POLY BAGS	-	NO	OB	
68734-XY	0.615	15.62	0.230	5.84	0.285	7.24	POLY BAGS	-	NO		
68737-XY	0.440	11.18	0.110	2.79	0.230	5.84	POLY BAGS	-	YES		
68738-XY	0.615	15.62	0.115	2.92	0.400	10.16	POLY BAGS	-	NO		
68739-XY	0.486	12.34	0.156	3.96	0.230	5.84	POLY BAGS	-	NO		
68743-XY	0.638	16.21	0.220	5.59	0.318	8.08	POLY BAGS	-	NO		
68749-XY	0.838	21.29	0.420	10.67	0.318	8.08	POLY BAGS	-	NO		
68779-XY	0.736	18.69	0.318	8.08	0.318	8.08	POLY BAGS	-	NO		
68783-XY	0.375	9.53	0.045	1.14	0.230	5.84	POLY BAGS	-	NO		
68799-XY	0.925	23.50	0.595	15.11	0.230	5.84	POLY BAGS	-	NO		

Amphenol FCI

© 2016 AFCl

mat'l. code SEE NOTES 1 & 2		surface ISO 1302 ✓	tolerance ISO 406 ISO 1101	projection 	product family BERGSTIK
ltr	ecn	no	dr	date	tolerances unless otherwise specified
DJ					angles linear .xx±0.01/0.3 .xxx±0.005/.xx±0.13 .xxxx±0.0020/.xxx±0.051
					dr T.BREWBAKER 12/21/94 enr T.HANNA 07/21/99 chr J.MURPHY 07/21/99 appd T.HANNA 07/21/99
sheet index	revision sheet	DJ	1-8		
				title BERGSTIK II HEADER D/R .100/2.54cc STRAIGHT	
				scale 2:1	
				dwg no 67996 sheet 4 of 8 size A3	
				type Product Customer Drawing	

D

PRODUCT NUMBER	TOT. PIN LGTH.		TAIL LENGTH		MATING LENGTH		PACKAGING	NOTES	BERGSTRIPTM AVAILABLE	LF OPTION
	DIM F	DIM F	DIM G	DIM G	DIM H	DIM H				
	ENGLISH	METRIC	ENGLISH	METRIC	ENGLISH	METRIC				
69132-XYY	0.760	19.30	0.120	3.05	0.540	13.72	POLY BAGS/TUBES	-	NO	OB NOTE 1,13
69133-XYY	0.615	15.62	0.285	7.24	0.230	5.84	POLY BAGS	-	NO	
69157-XYY	0.410	10.41	0.110	2.79	0.200	5.08	POLY BAGS	-	NO	
71217-XYYH	1.000	25.40	0.450	11.43	0.450	11.43	POLY BAGS	-	NO	
71222-XYYH	0.850	21.59	0.250	6.35	0.500	12.70	POLY BAGS	-	NO	
72273-XYYH	0.725	18.42	0.110	2.79	0.515	13.08	POLY BAGS	-	NO	
72448-XYYH	0.658	16.71	0.172	4.37	0.386	9.80	POLY BAGS	-	NO	
72455-XYYH	0.598	15.19	0.180	4.57	0.318	8.08	POLY BAGS	-	NO	
72455-632HG	0.598	15.19	0.180	4.57	0.318	8.08	GPAX	NOTE 1	NO	
73503-XYYH	0.420	10.67	0.120	3.05	0.200	5.08	POLY BAGS	-	NO	
73596-XYYH	0.795	20.19	0.110	2.79	0.585	14.86	POLY BAGS	-	NO	
74317-XYYH	0.532	13.51	0.309	7.85	0.123	3.12	POLY BAGS	NOTE 11	NO	
74318-XYYH	0.592	15.04	0.369	9.37	0.123	3.12	POLY BAGS	NOTE 11	NO	
74999-XYYH	0.508	12.90	0.090	2.29	0.318	8.08	POLY BAGS	-	NO	
78212-XYY	0.710	18.03	0.350	8.89	0.260	6.60	POLY BAGS	-	NO	
78233-XYY	0.568	14.43	0.150	3.81	0.318	8.08	POLY BAGS	-	NO	
78269-XYY	0.385	9.78	0.095	2.41	0.190	4.83	POLY BAGS	-	NO	
78286-XYY	0.500	12.70	0.160	4.06	0.240	6.10	POLY BAGS/TUBES	-	NO	
78932-XYY	UNAVAILABLE		UNAVAILABLE		UNAVAILABLE			-	-	
78933-XYY	0.695	17.65	0.285	7.24	0.310	7.87	POLY BAGS	-	NO	
78988-XYY	0.540	13.72	0.135	3.43	0.305	7.75	POLY BAGS	-	NO	
78989-XYY	UNAVAILABLE		UNAVAILABLE		UNAVAILABLE			-	-	
78990-XYY	UNAVAILABLE		UNAVAILABLE		UNAVAILABLE			-	-	
78991-XYY	UNAVAILABLE		UNAVAILABLE		UNAVAILABLE			-	-	
78992-XYY	UNAVAILABLE		UNAVAILABLE		UNAVAILABLE			-	-	
78993-XYY	UNAVAILABLE		UNAVAILABLE		UNAVAILABLE			-	-	
78994-XYY	UNAVAILABLE		UNAVAILABLE		UNAVAILABLE			-	-	

()
 A
 ()
 B
 Amphenol FCI
 ()
 C
 © 2016 AFCI
 ()
 D

mat'l. code		surface		tolerance		projection		product family	
SEE NOTES 1 & 2		ISO 1302 ✓		ISO 406 ISO 1101				BERGSTIK	
ltr		ecn no/dr		date		tolerances unless otherwise specified		title	
DJ						.xx±0.01/0.3 .xxx±0.005/.xx±0.13 .xxxx±0.0020/.xxx±0.051		BERGSTIK II HEADER D/R	
						linear		INCH/MM	
						0±2'		scale 2:1	
						dr T.BREWBAKER 12/21/94		dwg no sheet5 of 8 size	
						enr T.HANNA 07/21/99		67996 A3	
						chr J.MURPHY 07/21/99		type Product Customer Drawing	
						appd T.HANNA 07/21/99			
sheet index		revision sheet		DJ 1-8					

PRODUCT NUMBER	TOT. PIN LGTH.		TAIL LENGTH		MATING LENGTH		PACKAGING	NOTES	BERGSTRIPTM AVAILABLE	LF OPTION
	DIM F	DIM F	DIM G	DIM G	DIM H	DIM H				
	ENGLISH	METRIC	ENGLISH	METRIC	ENGLISH	METRIC				
78995-YYY	UNAVAILABLE		UNAVAILABLE		UNAVAILABLE			-	-	NOTE 1,13
78996-YYY	UNAVAILABLE		UNAVAILABLE		UNAVAILABLE			-	-	
79242-YYY	0.930	23.62	0.340	8.64	0.490	12.45	POLY BAGS	-	NO	OB
79243-YYY	1.230	31.24	0.390	9.91	0.740	18.80	POLY BAGS	-	NO	OB
79244-YYY	UNAVAILABLE		UNAVAILABLE		UNAVAILABLE			-	-	
79268-YYY	1.020	25.91	0.120	3.05	0.800	20.32	POLY BAGS	-	NO	OB
79271-YYY	1.100	27.94	0.500	12.70	0.500	12.70	POLY BAGS	-	NO	OB
79425-YYY	0.410	10.41	0.120	3.05	0.190	4.83	POLY BAGS	-	NO	
79821-YYY	0.730	18.54	0.200	5.08	0.430	10.92	POLY BAGS	-	NO	
84610-XXYH	0.380	9.65	0.120	3.05	0.160	4.06	POLY BAGS	-	NO	OB
84760-XXYH	0.870	22.09	0.150	3.81	0.620	15.74	POLY BAGS	-	NO	OB
84784-XXYH	1.130	28.70	0.122	3.09	0.908	23.06	POLY BAGS	-	NO	OB
84934-XXYH	1.375	34.93	0.625	15.88	0.650	16.51	POLY BAGS	-	NO	OB
84976-XXYH	0.730	18.54	0.400	10.16	0.230	5.84	POLY BAGS	-	NO	OB
86503-YYY	0.470	11.94	0.120	3.05	0.250	6.35	POLY BAGS	-	NO	
86581-YYY	0.450	11.43	0.120	3.05	0.230	5.84	POLY BAGS	NOTE 8	NO	OB
86817-YYY	0.925	23.50	0.120	3.05	0.705	17.91	POLY BAGS	-	NO	OB
86827-YYY	0.700	17.78	0.120	3.05	0.480	12.19	POLY BAGS	-	NO	OB
86832-YYY	0.525	13.34	0.100	2.54	0.325	8.26	POLY BAGS	-	NO	
86834-YYY	1.335	33.91	0.585	14.86	0.650	16.51	POLY BAGS	-	NO	OB
86836-YYY	0.870	22.10	0.120	3.05	0.650	16.51	POLY BAGS	-	NO	OB
86837-YYY	0.600	15.24	0.120	3.05	0.380	9.65	POLY BAGS	-	NO	
87037-YYY	1.240	31.50	0.120	3.05	1.020	25.91	POLY BAGS	-	NO	OB
87052-YYY	0.990	25.15	0.120	3.05	0.770	19.56	POLY BAGS	-	NO	
87203-YYY	0.545	13.84	0.150	3.81	0.295	7.49	POLY BAGS	-	NO	OB
87344-YYY	1.375	34.93	0.219	5.56	1.056	26.82	POLY BAGS	-	NO	OB

Amphenol FCI

© 2016 AFCI

mat'l. code		surface		tolerance		projection		product family	
SEE NOTES 1 & 2		ISO 1302 <input checked="" type="checkbox"/>		ISO 406 ISO 1101				BERGSTIK	
ltr		ecn		no		dr		date	
DJ									
		angles		linear		INCH/MM		title	
		0±2'				scale 2:1		BERGSTIK II HEADER D/R	
		dr		T.BREWBAKER		12/21/94		sheet 6 of 8	
		enr		T.HANNA		07/21/99		size A3	
		chr		J.MURPHY		07/21/99		67996	
		appd		T.HANNA		07/21/99		type Product Customer Drawing	
sheet index		revision sheet		DJ 1-8					

PRODUCT NUMBER	TOT. PIN LGTH.		TAIL LENGTH		MATING LENGTH		PACKAGING	NOTES	BERGSTRIPTM AVAILABLE	LF OPTION
	DIM F	DIM F	DIM G	DIM G	DIM H	DIM H				
	ENGLISH	METRIC	ENGLISH	METRIC	ENGLISH	METRIC				
87345 -XYY	1.218	30.94	0.406	10.31	0.712	18.08	POLY BAGS	-	NO	OB NOTE 1,13 OB OB OB OB OB OB OB OB OB OB OB OB OB OB
87348 -XYY	0.930	23.62	0.100	2.54	0.730	18.54	POLY BAGS	-	NO	
87349 -XYY	0.890	22.61	0.110	2.79	0.680	17.27	POLY BAGS	-	NO	
87381 -XYY	0.645	16.38	0.100	2.54	0.445	11.30	POLY BAGS	-	NO	
87382 -XYY	0.675	17.15	0.100	2.54	0.475	12.07	POLY BAGS	-	NO	
87503 -XYYH	0.630	16.00	0.110	2.79	0.420	10.67	POLY BAGS	-	NO	
87869 -XYY	0.690	17.53	0.230	5.84	0.360	9.14	POLY BAGS	-	NO	
87894-XYY	0.588	14.94	0.170	4.32	0.318	8.08	POLY BAGS	-	NO	
87900-XYY	0.940	23.88	0.120	3.05	0.720	18.29	POLY BAGS	-	NO	
87901-XYY	1.040	26.42	0.120	3.05	0.820	20.83	POLY BAGS	-	NO	
87903 -XYY	0.963	24.46	0.337	8.56	0.526	13.36	POLY BAGS	-	NO	
88797 -XYY	0.950	24.13	0.320	8.13	0.530	13.46	POLY BAGS	-	NO	
88812 -XYY	0.415	10.54	0.085	2.16	0.230	5.84	POLY BAGS/TUBES	NOTE 8	NO	
88886 -XYY	1.306	33.17	0.276	7.01	0.930	23.62	POLY BAGS	-	NO	
89446 -XYY	0.930	23.62	0.120	3.05	0.710	18.03	POLY BAGS	-	NO	
89540 -XYY	0.760	19.30	0.280	7.11	0.380	9.65	POLY BAGS	-	NO	
89542 -XYY	1.065	27.05	0.125	3.18	0.840	21.34	POLY BAGS	-	NO	
89639 -XYY	1.260	32.00	0.118	3.00	1.042	26.47	POLY BAGS	-	NO	
91828 -XYY	0.450	11.43	0.120	3.05	0.230	5.84	TUBES	-	NO	
92417-XYY	0.530	13.46	0.110	2.79	0.320	8.13	POLY BAGS	-	NO	
93216 -XYYH	0.573	14.55	0.155	3.94	0.318	8.08	POLY BAGS/TUBES	-	NO	
93216-632HG	0.573	14.55	0.155	3.94	0.318	8.08	G-PAX	NOTE 1	NO	
93217 -XYYH	0.395	10.03	0.095	2.41	0.200	5.08	POLY BAGS	-	NO	
93254-XYY	0.563	14.30	0.110	2.79	0.353	8.97	POLY BAGS	-	NO	

Amphenol FCI

© 2016 AFCl

mat'l. code SEE NOTES 1 & 2		surface ISO 1302 <input checked="" type="checkbox"/>		tolerance ISO 406 ISO 1101		projection 		product family BERGSTIK	
ltr		ecn no		dr		date		tolerances unless otherwise specified	
DJ								linear	
								.xx±0.01/0.3	
								.xxx±0.005/.xx±0.13	
								.xxxx±0.0020/.xxxx±0.051	
				dr		T.BREWBAKER		12/21/94	
				enr		T.HANNA		07/21/99	
				chr		J.MURPHY		07/21/99	
				appd		T.HANNA		07/21/99	
sheet index		revision sheet		DJ		1-8		Amphenol FCI	
								title BERGSTIK II HEADER D/R .100/2.54cc STRAIGHT	
								scale 2:1	
								dwg no 67996	
								sheet 7 of 8 size A3	
								type Product Customer Drawing	

