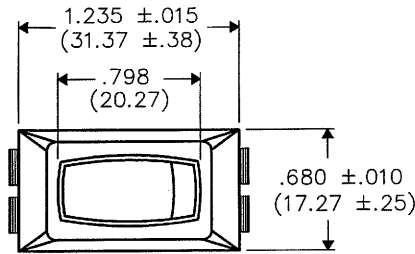
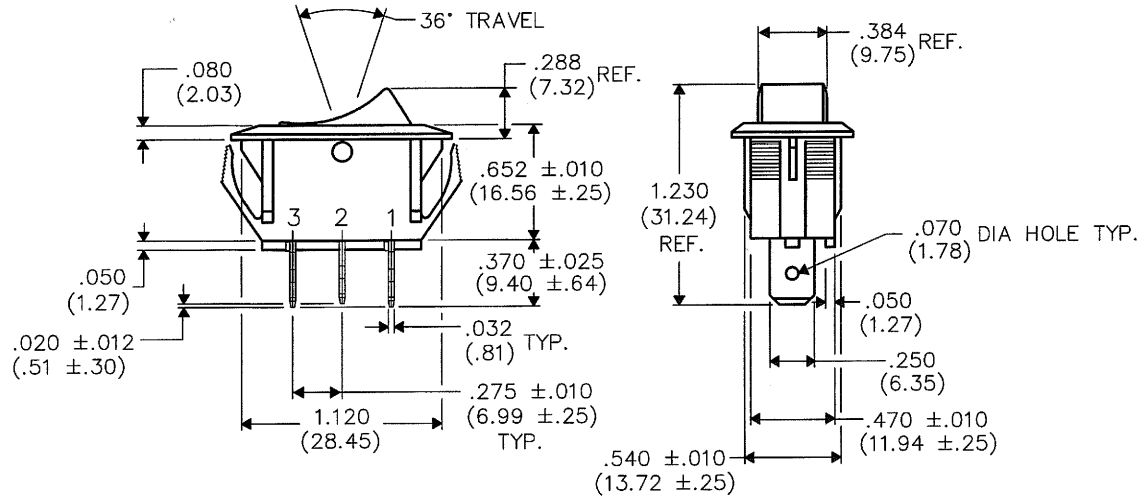
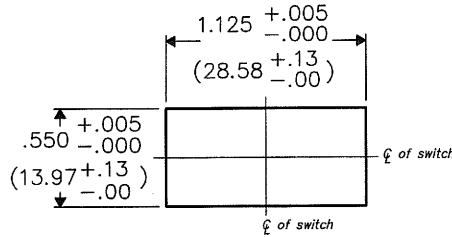


E
D
C
B
A



PANEL PIERCING



1 2 3 4 5 6 7 8 9 10

B-FORMAT 2002
REVISIONS

0
RELEASED: 8-14-2008
DGW
AUG 15 2008

CW INDUSTRIES
Southampton, Pa. 18966

TOLERANCES UNLESS OTHERWISE SPECIFIED

2 Place Decimal ±.010	METRIC
3 Place Decimal ±.005	1 Place Dec. ±.25mm
Angles ±1'	2 Place Dec. ±.13mm

Made for: CW IND.
Drawn by: DGW 8-14-2008
Checked by: G. Gold 8-15-08
Approval: G. Gold 8-15-08

Title: **ROCKER SWITCH S.P.D.T. NO POLAR.,NO BARR.**

Division: **SWITCH**

Dwg. No. **GRS-2012-2009**

MASTER

Mouser Electronics

Authorized Distributor

Click to View Pricing, Inventory, Delivery & Lifecycle Information:

[CW Industries:](#)

[GRS-2012-2009](#)