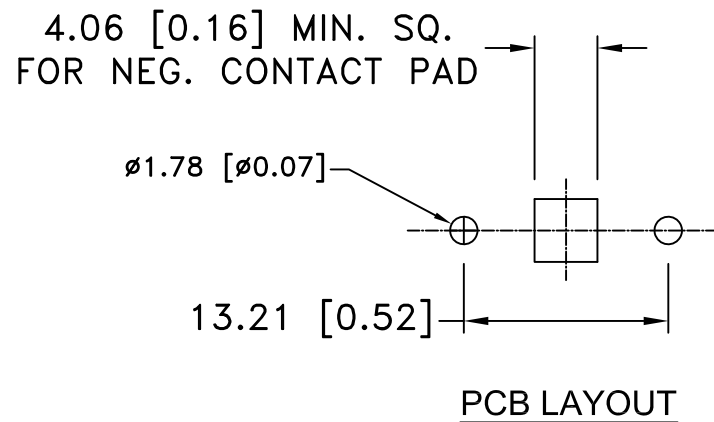
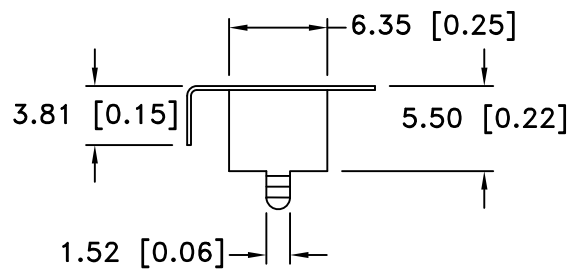
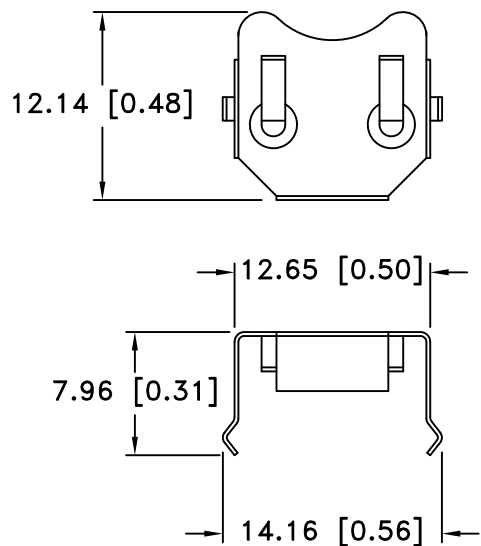



Date	SYM	REVISION RECORD	AUTH	DR.	CK.
2/23/08	A	ADDED "ROHS COMPLIANT"	T.B.	B.S.	
11/14/14	B	UPDATED TO ROHS 2 COMPLIANT	T.B.	B.S.	



NOTES:

- MATERIAL:  
0.25mm (0.010") PHOSPHOR BRONZE, NICKEL PLATED.  
ROHS 2 COMPLIANT

Tolerance (Except as noted)	 <b>Memory Protection Devices, Inc</b> 200 Broad Hollow Road, Farmingdale, New York 11735		
decimal ±.5 (.020)		Scale	Drawn By B.S. Approved By T.B.
Fractional ± .8 (.030)	Title LR44 BATTERY RETAINER FOR THRU HOLE		
Angular ± 3°	Date 11/14/14	Drawing Number BK-5091	