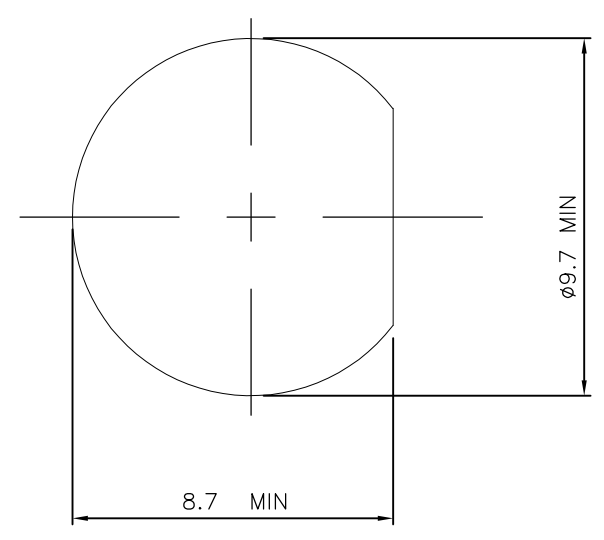
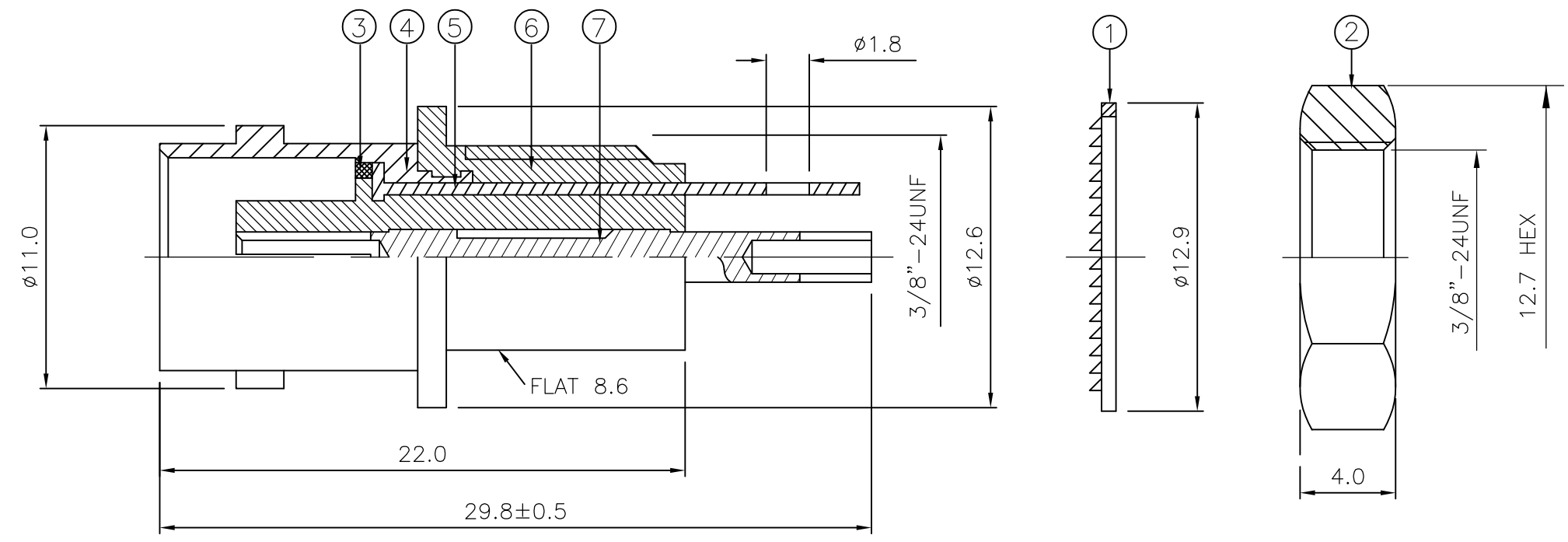


THIS DRAWING IS UNPUBLISHED. RELEASED FOR PUBLICATION DEC ,2005.
 © COPYRIGHT 2005 By - ALL RIGHTS RESERVED.

LOC	DIST	REVISIONS			
P	LTR	DESCRIPTION	DATE	DWN	APVD
E	B	C	ECR-05-017969	13DEC05	JMS FWK
		D	ECO-11-010041	16MAY2011	TITAN MARTIN

- NOTES:**
- ① PACK IN ACCORDANCE WITH AMP SPEC 107-3275
 - ② 100 TRAY PACK IN ACCORDANCE WITH AMP SPEC 107-3275
 - ③ Au PLATING
 - ④ Ni PLATING
 - ⑤ Sn PLATING
- 6 ELECTRICAL CHARACTERISTICS
 FREQUENCY RANGE: DC - 4 GHz
 NOMINAL IMPEDANCE: 50 Ohms
 INSULATION RESISTANCE: 5000 MOhms Min.
 WORKING VOLTAGE: 500 Volts RMS at Sea Level
 DIELECTRIC WITHSTAND VOLTAGE: 1500 Volts RMS Max
 CONTACT RESISTANCE:
 CENTRE CONTACT: 1.50 mOhms Max
 OUTER CONTACT: 1.0 mOhms Max
 VSWR @ xGHz: 1.3 MAX. @1 GHz
 INSERTION LOSS xdb: 0.2 dB MAX. @1 GHz
- 7 MECHANICAL CHARACTERISTICS
 INTERFACE IN ACCORDANCE WITH: MIL-STD-348A
 DURABILITY: 500 MATINGS
- 8 ENVIRONMENTAL CHARACTERISTICS
 OPERATING TEMPERATURE: -40 to +60 DegC



MOUNTING HOLE

QTY	QTY	MATERIAL	NOTE	DESCRIPTION	ITEM
1	1	BRASS	③	CENTER CONTACT	7
1	1	ABS		BODY I	6
1	1	BRASS	⑤	GROUNDING TAB	5
1	1	BRASS	④	BODY II	4
1	1	BRASS	④	WASHER	3
1	1	BRASS	④	NUT	2
1	1	STEEL	④	WASHER	1
6--0	1--0	MATERIAL		DESCRIPTION	ITEM
③	④				

THIS DRAWING IS A CONTROLLED DOCUMENT.		DWN	J.SANDWELL	13DEC05	STE TE Connectivity											
DIMENSIONS: mm		CHK	S.PARLOW	13DEC05												
TOLERANCES UNLESS OTHERWISE SPECIFIED:		APVD	F.WHEELER-KING	13DEC05												
<table border="0"> <tr><td>0 PLC</td><td>± -</td></tr> <tr><td>1 PLC</td><td>± 0.2</td></tr> <tr><td>2 PLC</td><td>± 0.1</td></tr> <tr><td>3 PLC</td><td>± 0.05</td></tr> <tr><td>4 PLC</td><td>± -</td></tr> <tr><td>ANGLES</td><td>± 5°</td></tr> </table>		0 PLC	± -	1 PLC		± 0.2	2 PLC	± 0.1	3 PLC	± 0.05	4 PLC	± -	ANGLES	± 5°	PRODUCT SPEC	NAME
0 PLC	± -															
1 PLC	± 0.2															
2 PLC	± 0.1															
3 PLC	± 0.05															
4 PLC	± -															
ANGLES	± 5°															
MATERIAL SEE TABLE		FINISH SEE TABLE		BNC INSULATED BULKHEAD SOCKET FRONT MOUNT 50 OHM												
MATERIAL SEE TABLE		FINISH SEE TABLE		SIZE	CAGE CODE											
MATERIAL SEE TABLE		FINISH SEE TABLE		DRAWING NO	RESTRICTED TO											
MATERIAL SEE TABLE		FINISH SEE TABLE		WEIGHT												
MATERIAL SEE TABLE		FINISH SEE TABLE		A3 00779 C-1337452												
MATERIAL SEE TABLE		FINISH SEE TABLE		CUSTOMER DRAWING	SCALE NTS SHEET 1 OF 1 REV D											

Mouser Electronics

Authorized Distributor

Click to View Pricing, Inventory, Delivery & Lifecycle Information:

[TE Connectivity:](#)

[1-1337452-0](#)