

THIS DRAWING IS UNPUBLISHED.

RELEASED FOR PUBLICATION

20

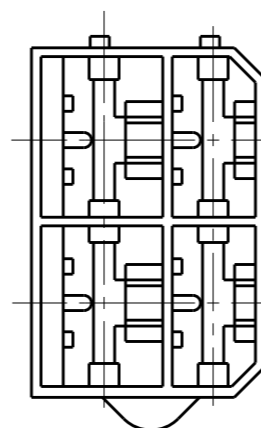
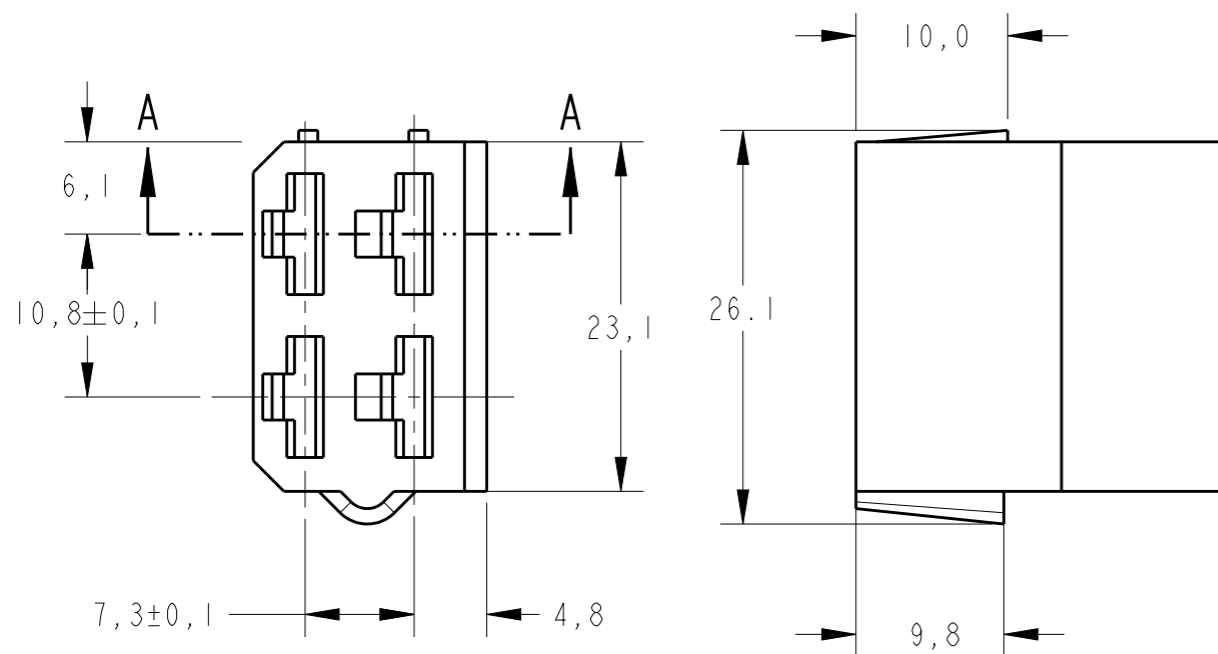
© COPYRIGHT 20 BY -

ALL RIGHTS RESERVED.

REVISIONS

P	LTR	DESCRIPTION	DATE	DWN	APVD
	F2	REVISED BY ECO 16-008371	25JULY2016	HC	WLS

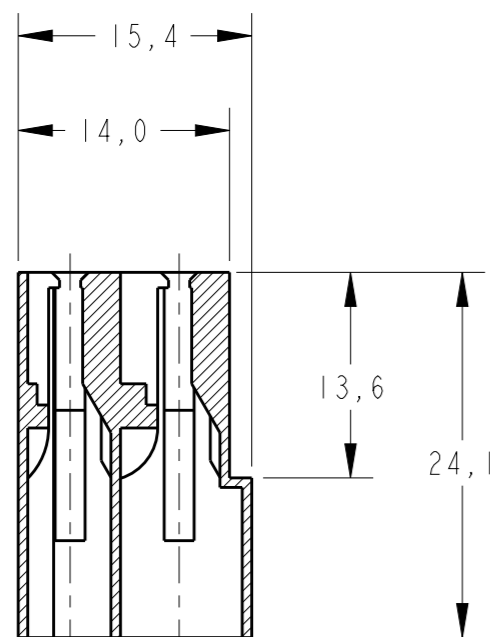
CAD
Pro-E
DO NOT REVISE
EXCEPT BY CAD



3 - MATÉRIA PRIMA CONFORME ESPECIFICAÇÃO IEC 60335-1, GWT 750°C, SEM CHAMA.
RAW MATERIAL ACC. TO SPEC. IEC 60335-1, GWT 750°C, WITHOUT FLAME.

- 1 - ESPESSURA DE PAREDES NAO ESPECIFICADAS 0,6.
- ALL UNSPECIFIED WALL THICKNESSES.
- 2 - INTERCAMBIÁVEL COM PN.180900.
- INTERCHANGEABLE WITH.

OBSOLETE	NATURAL	3 NYLON 6.6 V 0	2 880110 0
OBSOLETE	VIOLETA TINGIDO / DYED VIOLET		1 - 880110 - 8
OBSOLETE	CINZA TINGIDO / DYED GRAY		1 - 880110 - 7
OBSOLETE	MARROM TINGIDO / DYED BROWN		1 - 880110 - 6
OBSOLETE	PRETO TINGIDO / DYED BLACK		1 - 880110 - 5
OBSOLETE	AMARELO TINGIDO / DYED YELLOW		1 - 880110 - 4
OBSOLETE	AZUL TINGIDO / DYED BLUE		1 - 880110 - 3
OBSOLETE	VERDE TINGIDO / DYED GREEN		1 - 880110 - 2
OBSOLETE	VERMELHO TINGIDO / DYED RED		1 - 880110 - 1
OBSOLETE	CINZA ESCURO / DARK GRAY		1 - 880110 - 0
OBSOLETE	LARANJA / ORANGE		880110 - 9
OBSOLETE	VIOLETA / VIOLET		880110 - 8
OBSOLETE	CINZA / GRAY		880110 - 7
OBSOLETE	MARROM / BROWN		880110 - 6
OBSOLETE	PRETO / BLACK		880110 - 5
OBSOLETE	AMARELO / YELLOW		880110 4
OBSOLETE	AZUL / BLUE		880110 - 3
OBSOLETE	VERDE / GREEN		880110 - 2
OBSOLETE	VERMELHO / RED		880110 1
	NATURAL / NATURAL	NYLON 6.6	880110 - 0
	COLOR	MATERIAL	PART NUMBER



SECTION A-A

THIS DRAWING IS A CONTROLLED DOCUMENT.

DWN M.R.BRIZ 19NOV99
CHK P.L.FARIA
APVD F.ALEXANDRONI
PRODUCT SPEC
APPLICATION SPEC
WEIGHT -

STE TE Connectivity

NAME HSG. 4 POSITION, FAST-IN-ON RCPT.

SIZE A3 CAGE CODE 00779 DRAWING NO C-880110 RESTRICTED TO -

CUSTOMER DRAWING SCALE 2:1 SHEET 1 OF 1 REV F2

Mouser Electronics

Authorized Distributor

Click to View Pricing, Inventory, Delivery & Lifecycle Information:

[TE Connectivity:](#)

[880110](#)