

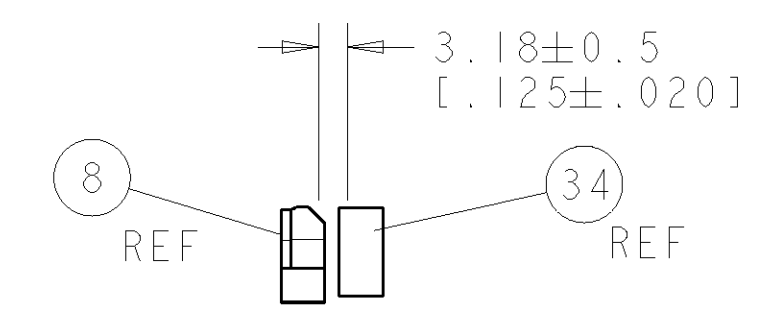
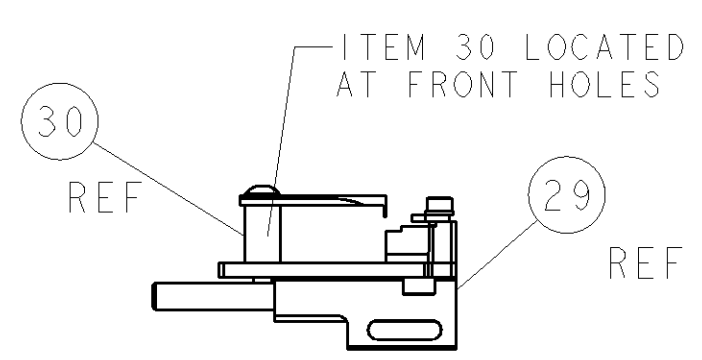
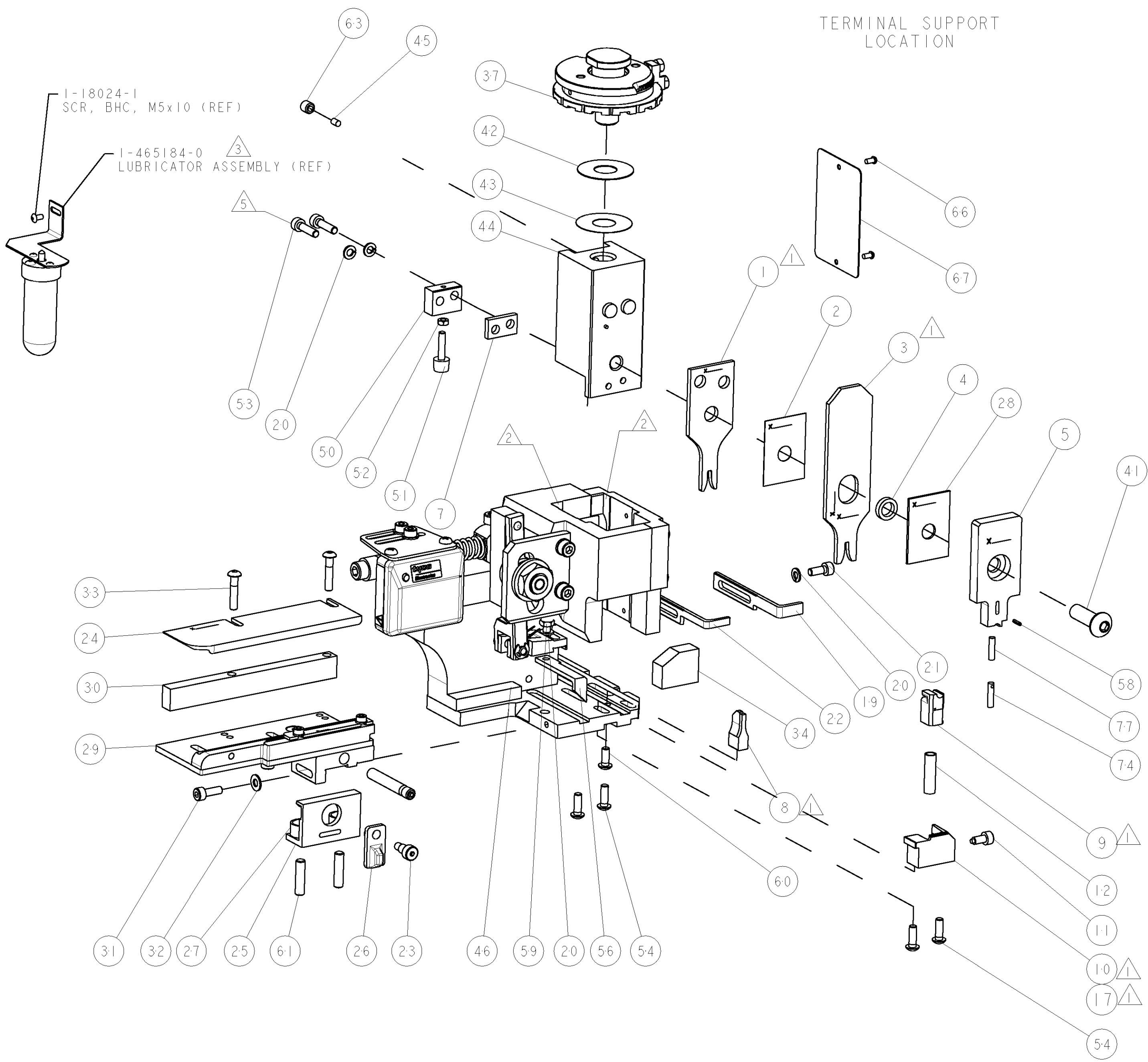
PART NUMBER	REV	TERMINATOR	FEED TYPE	DESCRIPTION
1528624-1	B	LEADMAKER	MECH POST FEED	CUTS CARRIER
1528624-2	B	BENCH	MECH PRE FEED	CUTS CARRIER
1528624-6	B	LEADMAKER	MECH POST FEED	CONTINUOUS CARRIER
7-1528624-1	B	LEADMAKER	MECH POST FEED	-1 AND SPARE PARTS
7-1528624-2	B	BENCH	MECH PRE FEED	-2 AND SPARE PARTS
7-1528624-6	B	LEADMAKER	MECH POST FEED	-6 AND SPARE PARTS
7-1528624-7	A	-	-	SPARE PARTS KIT

WIRE	SIZE	TYPE	RANGE
WIRE	2.29 [1.090 IN]	F	2.0-0.5mm ² or 14-20 AWG
INSUL	2.54 [1.100 IN]	F	2.20-2.70 [.086-.106]
WIRE STRIP LENGTH	3.48-4.50 [1.37-.177 IN]		APPL INSTRUCTIONS 408-8040

TERMINAL APPL SPEC	FEED
114-5091	11.91 [.469 IN]

WIRE SIZE	CRIMP HEIGHT	REF SETTINGS
2 mm ²	1.60 ± 0.05 [.063 ± .002 IN]	A6
1.25 mm ²	1.52 ± 0.05 [.060 ± .002 IN]	B2
.8 mm ²	1.37 ± 0.05 [.054 ± .002 IN]	C3
.5 mm ²	1.24 ± 0.05 [.049 ± .002 IN]	D2

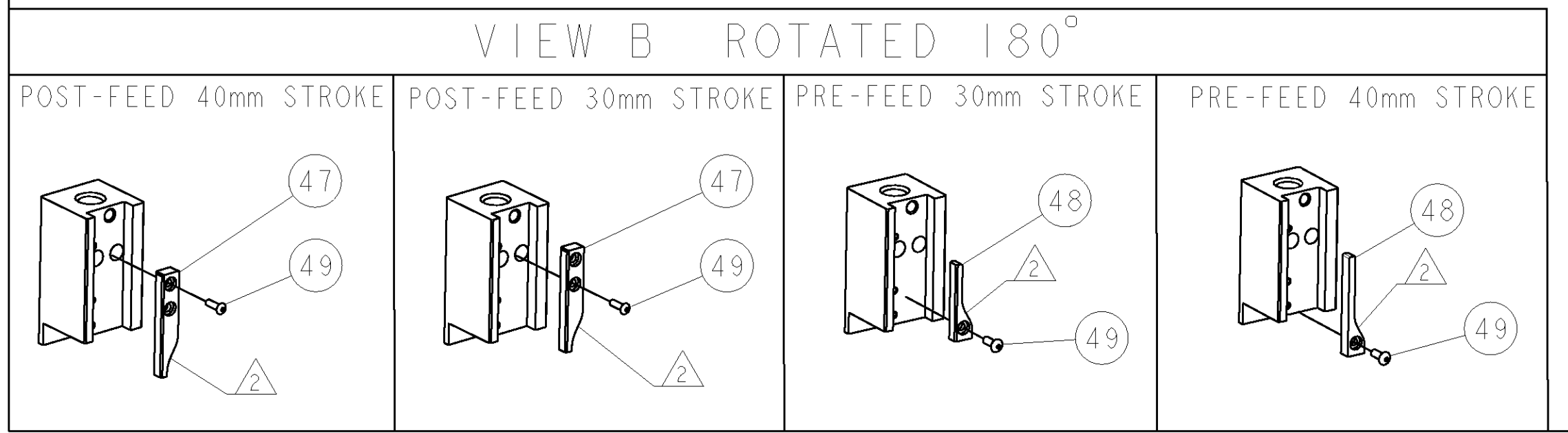
- RECOMMENDED SPARE PARTS.
- GREASE RAM, CAM, CAM FOLLOWER AND FEED ROD LIGHTLY.
- CERTAIN TERMINALS REQUIRE LUBRICATION. REFER TO THE APPLICATOR INSTRUCTION SHEET FOR MORE INFORMATION.
- LUBRICATE DAILY PER THE APPLICATOR INSTRUCTION SHEET SUPPLIED WITH THE APPLICATOR.
- GRIND TO LENGTH AT ASSEMBLY.
- WHEN CHANGING TERMINALS, ADJUST STRIP GUIDE ACCORDINGLY.



SET UP GAGE
458637-3

LOC	DIST	REV	DATE	DWN	APPD
A	66				
B		ECR-06-007877	30MAR2006	LG	TE

REV	DATE	DESCRIPTION	ITEM NO
-	-	-	73
-	-	-	72
-	-	1338705-1	DOCUMENTATION PACKAGE
-	-	-	70
-	-	-	69
-	-	-	68
-	-	-	67
-	-	21017-2	SCREW, DRIVE
-	-	-	65
-	-	-	64
-	-	3-18031-0	SCR, SET, CUP POINT M6 X 6.0
-	-	-	62
-	-	-	61
-	-	2-18032-5	SCR, SET, FLT POINT M5 X 20.0
-	-	18024-7	SCR, BTN SKT HD CAP (M4 X 10.0)
-	-	5-18022-2	SCR, HEX HD CAP M4 X 8.0
-	-	21028-2	PIN, SLOTTED SPRING .062 X .250
-	-	-	57
-	-	1338685-1	PAWL, FEED
-	-	-	55
-	-	18024-8	SCR, BTN SKT HD CAP (M4 X 12.0)
-	-	1-18023-3	SCR, SKT HD CAP M4 X 16.0
-	-	18030-1	NUT, HEX, REG M3
-	-	811242-5	BUMPER, HOLD DOWN
-	-	690753-2	SPACER, TONKER
-	-	18024-3	SCR, BTN SKT HD CAP (M3 X 10.0)
-	-	1338675-1	CAM, UNIVERSAL PRE FEED
-	-	1338676-1	CAM, UNIVERSAL POST-FEED
-	-	1320999-3	APPLICATOR SUBASSEMBLY, HDI
-	-	690191-1	PLUG, NYLON
-	-	1338660-1	RAM
-	-	690125-1	SHIM SUB-ASSY
-	-	469367-9	SHIM
-	-	2-18024-6	SCR, BTN SKT HD CAP (M8 X 25.0)
-	-	-	40
-	-	-	39
-	-	-	38
-	-	879103-2	DISC, ADJUSTABLE GEITNER
-	-	-	36
-	-	-	35
-	-	1320934-1	SUPPORT, TERMINAL
-	-	1-18024-0	SCR, BTN SKT HD CAP (M4 X 20.0)
-	-	18027-2	WASHER, FLAT, REG M4
-	-	1-18023-2	SCR, SKT HD CAP M4 X 12.0
-	-	1320908-1	SPACER, STRIP GUIDE
-	-	1633073-3	STRIP GUIDE ASSEMBLY
-	-	1-455888-0	SPACER, CRIMPER
-	-	1-22284-0	SPRING, COMPRESSION
-	-	356835-1	LEVER, DRAG RELEASE
-	-	240792-1	DRAG, TERMINAL
-	-	1320928-1	PLATE, STRIP GUIDE
-	-	980371-4	SCR, SKT HD SHLDR 5.0 DIA X 6.0
-	-	690472-2	STRIPPER
-	-	1-18023-1	SCR, SKT HD CAP M4 X 10.0
-	-	18025-2	WASHER, SPRG LOCK, REG M4
-	-	690472-1	STRIPPER
-	-	-	18
-	-	1338684-1	SHEAR HOLDER, FRONT
-	-	-	16
-	-	-	15
-	-	-	14
-	-	-	13
-	-	3-22280-3	SPRING, COMPRESSION
-	-	356885-4	STOP, SHEAR
-	-	1320921-1	SHEAR HOLDER, FRONT CUT
-	-	462006-1	FLOATING SHEAR, FRONT
-	-	1633132-5	ANVIL, COMBINATION .090
-	-	5-240641-2	SPACER
-	-	-	7
-	-	-	6
-	-	854772-1	DEPRESSOR, SHEAR
-	-	238011-9	BLOCK, CRIMPER SPACER
-	-	4-683453-7	CRIMPER, INSULATION PREMIUM
-	-	455888-1	SPACER, CRIMPER
-	-	4-456406-1	CRIMPER, WIRE PREMIUM
-	-	-	1



REV	DATE	DESCRIPTION	ITEM NO
-	-	-	84
-	-	-	83
-	-	-	82
-	-	-	81
-	-	-	80
-	-	-	79
-	-	-	78
-	-	1-22278-0	SPRING, COMPRESSION
-	-	-	77
-	-	-	76
-	-	-	75
-	-	854769-1	HOLDER, INS
-	-	-	74
-	-	-	73
-	-	-	72
-	-	-	71
-	-	-	70
-	-	-	69
-	-	-	68
-	-	-	67
-	-	-	66
-	-	-	65
-	-	-	64
-	-	-	63
-	-	-	62
-	-	-	61
-	-	-	60
-	-	-	59
-	-	-	58
-	-	-	57
-	-	-	56
-	-	-	55
-	-	-	54
-	-	-	53
-	-	-	52
-	-	-	51
-	-	-	50
-	-	-	49
-	-	-	48
-	-	-	47
-	-	-	46
-	-	-	45
-	-	-	44
-	-	-	43
-	-	-	42
-	-	-	41
-	-	-	40
-	-	-	39
-	-	-	38
-	-	-	37
-	-	-	36
-	-	-	35
-	-	-	34
-	-	-	33
-	-	-	32
-	-	-	31
-	-	-	30
-	-	-	29
-	-	-	28
-	-	-	27
-	-	-	26
-	-	-	25
-	-	-	24
-	-	-	23
-	-	-	22
-	-	-	21
-	-	-	20
-	-	-	19
-	-	-	18
-	-	-	17
-	-	-	16
-	-	-	15
-	-	-	14
-	-	-	13
-	-	-	12
-	-	-	11
-	-	-	10
-	-	-	9
-	-	-	8
-	-	-	7
-	-	-	6
-	-	-	5
-	-	-	4
-	-	-	3
-	-	-	2
-	-	-	1

DIMENSIONS: mm [IN]	TOLERANCES UNLESS OTHERWISE SPECIFIED: 0 PLC ± 1 PLC ± 2 PLC ± 3 PLC ± 4 PLC ± ANGLES ±	DWG: B HIGMAN 25JAN2006 CHK: B HIGMAN 25JAN2006 APPD: J ELBIN 25JAN2006	tyco Tyco Electronics Harrisburg, PA 17105-3608
MATERIAL:		PRODUCT SPEC: APPLICATION SPEC: See Table WEIGHT:	SIDE FEED HDI APPLICATOR SIZE: 400779 C=1528624 SCALE: 3:5 SHEET 1 OF 1 REV B

Mouser Electronics

Authorized Distributor

Click to View Pricing, Inventory, Delivery & Lifecycle Information:

[TE Connectivity:](#)

[1528624-2](#)