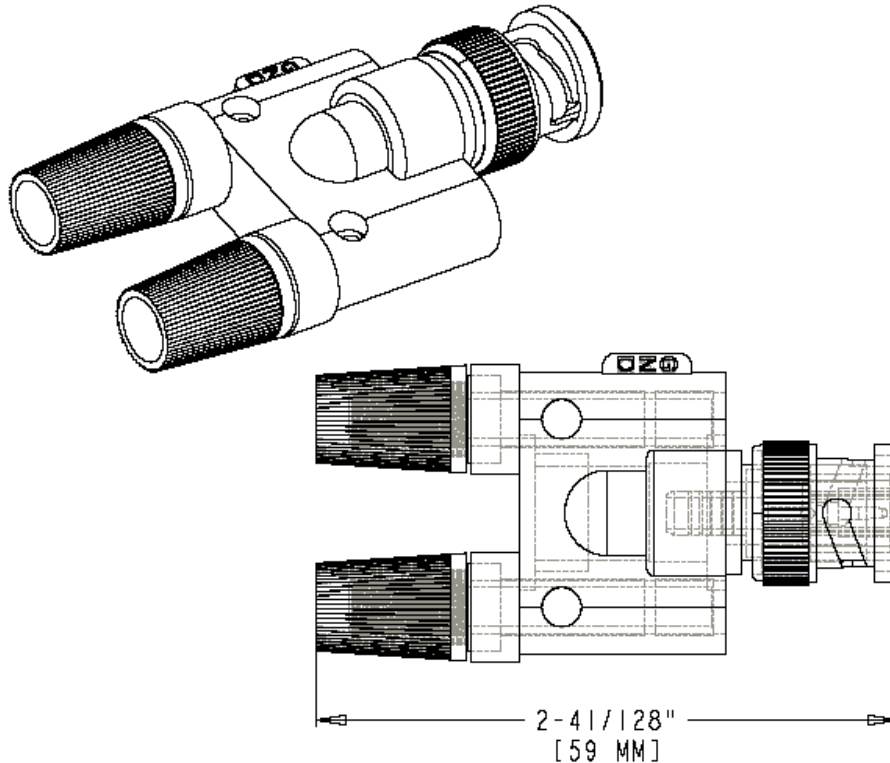




**Part Number:** BU-P1296  
**Description:** Adapter-BNC Male to Double Binding Post  
3907



- Adapter-BNC Male to Double Binding Post
- Allows BNC female connector to be converted for use with standard 4mm test leads on 0.75" spacing
- 0.16" (4.11 mm) diameter holes in body give side stackable connections
- Material: BNC: Tarnish resistant plated brass body and gold-plated brass center contact; Banana Jacks: Brass body, Nickel-plated; Insulator: Nylon
- Length: 2.32" (59 mm)
- \*Std. Colors: -0 Black
- RoHS Compliant

# Mouser Electronics

Authorized Distributor

Click to View Pricing, Inventory, Delivery & Lifecycle Information:

[Mueller Electric:](#)

[BU-P1296](#)