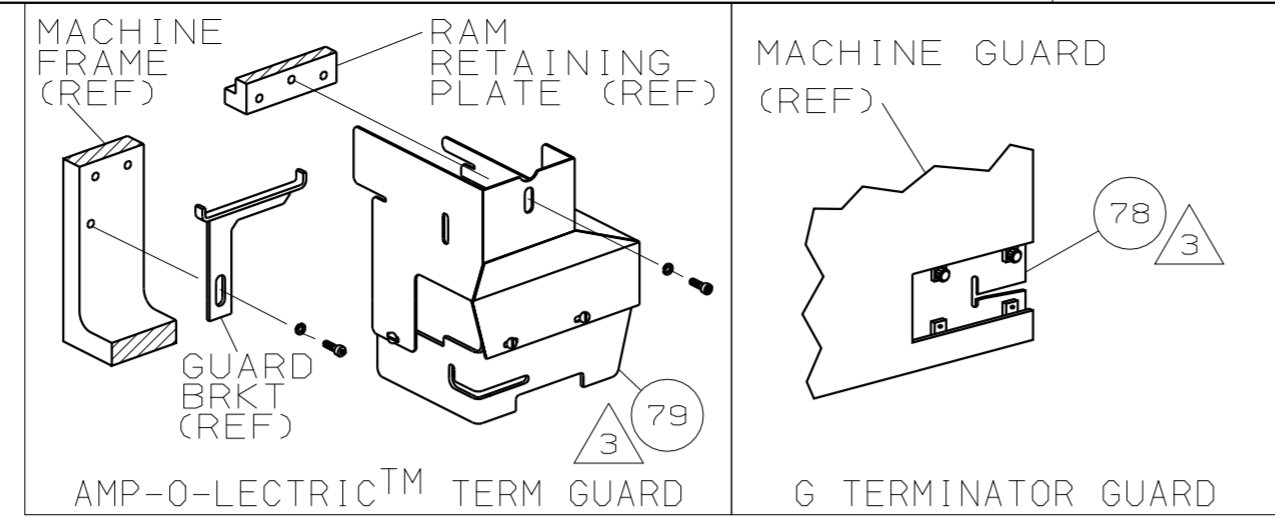
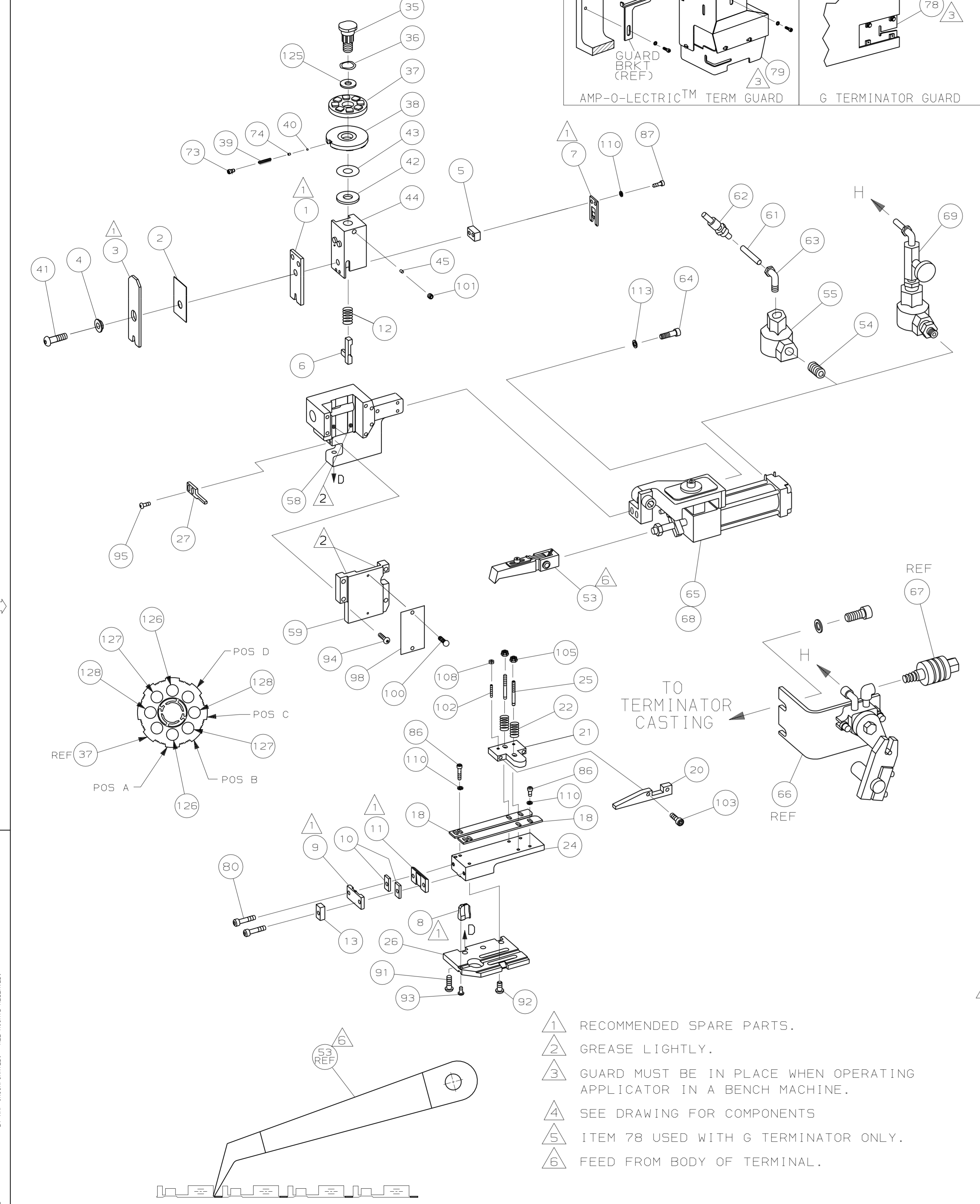


PART NUMBER	REV	FIRST USED
1852143-1	A	122500-1
1852143-2	A	565435-5



TERMINAL NAME: DOUILLE DOUBLE A SERTIR						
1544516		AMP TERMINAL		AMP CRIMP SPECS		
PAD LTR	CRIMP HEIGHT	WIRE SIZE				
A	1.43 ±0.05mm [.056 ±.002]	1 mm ²				
B	1.37 ±0.05mm [.054 ±.002]	0.6 mm ²				
C	1.28 ±0.05mm [.050 ±.002]	0.35 mm ²				
D	NOT	USED				
CRIMP	SIZE	TYPE	RANGE			
WIRE	2.29mm [.090]	F	0.35mm ² -1mm ²			
INSUL	3.6mm [.142]	F	Ø1.3-2MM			
WIRE STRIP LENGTH	TERM APPL	SPEC	FEED	APPL INSTRUCTION	SET UP GAGE	LAYOUT
5-6mm	NONE		25.9mm	408-8039	458638-1	L1852143

-1	LEADMAKER & BENCH MODEL G	AIR FEED				
-2	BENCH MODEL K	AIR FEED				
1	-	-	C	692655-5	AIR FEED VALVE ASSY	70
1	-	-	C	2-460277-0	AIR FEED ASSY (2 INCH)	69
REF	-	-	A	24042-2	VALVE, SHUT OFF	68
REF	-	-	C	692655-6	AIR FEED VALVE ASSY	67
-	1	-	B	2-460277-6	AIR FEED ASSY (2 INCH)	66
2	2	-	A	4-21000-0	SCR,SHC(10-32x1.25)AIR ASSY	65
-	1	-	A	980285-2	ELBOW, SWIVEL 1/8 NPT - 1/4 T	64
-	1	-	A	23238-1	QUICK DISCONNECT	63
-	12.00	IN	A	27319-4	TUBING, POLY-FLO Ø.25	62
1	1	-	C	454220-1	CAP, RAM	61
1	1	-	D	453736-1	HOUSING	60
						59
						58
						57
						56
-	1	-	A	22374-7	VALVE, QUICK EXHAUST	55
-	1	-	A	22304-1	NIPPLE, HEX	54
1	1	-	B	460680-1	FEED FINGER ASSY	53
						52
						51
						50
						49
						48
						47
						46
1	1	-	A	690191-1	PLUG, NYLON	45
1	1	-	C	455674-1	RAM	44
1	1	-	A	690125-1	WASHER, LAMINATED	43
1	1	-	A	690124-1	WASHER, RAM	42
1	1	-	A	7-21002-9	BOLT, CRIMPER(5/16-24x1.00)	41
1	1	-	A	23241-6	BALL, STEEL	40
1	1	-	A	690170-1	SPRING, COMPRESSION	39
1	1	-	C	690142-1	DISC, INSULATION	38
1	1	-	D	354777-1	DISC, WIRE	37
1	1	-	A	22480-5	WASHER, SPRING	36
1	1	-	B	690212-1	POST, RAM	35
						34
						33
						32
						31
						30
						29
						28
1	1	-	A	690455-3	STRIPPER	27
1	1	-	D	455676-1	PLATE, BASE	26
2	2	-	A	22354-8	DRAG, STUD	25
1	1	-	B	455678-1	PLATE, STRIP GUIDE	24
						23
2	2	-	A	22281-9	SPRING, DRAG	22
1	1	-	A3	464451-1	ARM, STOCK DRAG	21
1	1	-	A3	1-464452-1	DRAG, STOCK	20
						19
2	2	-	C	2-454204-2	GUIDE, STRIP (FRONT)	18
						17
						16
						15
						14
1	1	-	C	1-690481-2	SPACER, HOLD DOWN	13
1	1	-	A	23846-1	SPRING, HOLD DOWN	12
1	1	-	B	240644-3	PLATE, REAR SHEAR	11
2	2	-	C	4-240645-7	SPACER, SHEAR PLATE	10
1	1	-	B	1-240642-2	PLATE, FRONT SHEAR	9
1	1	-	D	8-356038-6	ANVIL	8
1	1	-	B	7-240651-9	BLADE, SLUG	7
1	1	-	D	455892-8	HOLD DOWN, TERMINAL	6
1	1	-	C	6-240641-2	SPACER, SLUG BLADE	5
1	1	-	B	238009-8	SPACER, BLOCK CRIMPER	4
1	1	-	C	7-1213077-3	CRIMPER, INSULATION	3
1	1	-	B	455888-6	SPACER, CRIMPER	2
1	1	-	C	1-456406-6	CRIMPER, WIRE	1



- 1 RECOMMENDED SPARE PARTS.
- 2 GREASE LIGHTLY.
- 3 GUARD MUST BE IN PLACE WHEN OPERATING APPLICATOR IN A BENCH MACHINE.
- 4 SEE DRAWING FOR COMPONENTS
- 5 ITEM 78 USED WITH G TERMINATOR ONLY.
- 6 FEED FROM BODY OF TERMINAL.

QTY	REV	U/M	DWG SIZE	PART NO	DESCRIPTION	ITEM NO
2	2	-	C	4-354779-1	PIN, WIRE DISC (.3195)C	129
2	2	-	C	3-354779-2	PIN, WIRE DISC (.3150)B	127
2	2	-	C	2-354779-8	PIN, WIRE DISC (.3130)A	126
1	1	-	A	986950-1	WASHER, FLAT PRECISION	125
1	1	-	A	217238-1	GENERAL INSTRUCTION PACKAGE	124
1	1	-	-	4088039	EF APPL INST 408-8039	123
						122
						121
						120
						119
						118
						117
						116
						115
						114
2	2	-	A	21024-5	WASHER, LOCK (#10) AIR ASSY	113
						112
						111
6	6	-	A	21024-4	WASHER, LOCK (NO.8) SHEAR BL	110
						109
2	2	-	A	21018-4	NUT, HEX (4-40) DRAG	108
						107
						106
2	2	-	A	21022-2	NUT, HEX SL (8-32) DRAG STUD	105
						104
2	2	-	A	1-21000-3	SCR, SHC (4-40x.25) DRAG ARM	103
2	2	-	A	4-21078-8	SCR, SKT SET (4-40x.75) DRAG	102
1	1	-	A	21009-2	SCR, SKT SET (1/4-20x.25) RAM	101
2	2	-	A	21017-2	SCR, DRIVE (#2x.19) ID PLATE	100
						99
1	1	-	B	461264-1	PLATE, IDENTIFICATION	98
						97
						96
2	2	-	A	2-21002-2	SCR, BHC (8-32x.50) STRIPPER	95
4	4	-	A	2-21002-9	SCR, BHC (10-32x.75) CAP	94
1	1	-	A	22733-8	SCR, BHC (8-32x.38 LW) ANVIL	93
4	4	-	A	3-21002-3	SCR, BHC (1/4-20x.50) ST GD PL	92
3	3	-	A	2-22733-8	SCR, BHC (1/4-20x.62) H5G	91
						90
						89
						88
						87
2	2	-	A	2-21000-9	SCR, SHC (8-32x.75) SLUG BLADE	86
4	4	-	A	2-21000-6	SCR, SHC (8-32x.38) STRIP GUIDE	85
						84
						83
						82
						81
2	2	-	A	3-21002-0	SCR, BHC (10-32x.88) SHEAR PL	80
1	-	-	A	455750-7	GUARD ASSY	79
-	REF	-	A	679532-1	INSERT, GUARD	78
						77
						76
						75
1	1	-	A	690603-1	SPRING, ASSIST	74
1	1	-	A	23030-1	SCR, SKT CAP (6-32x.25) CP DSC	73
						72
						71
						70
						69
						68
						67
						66
						65
						64
						63
						62
						61
						60
						59
						58
						57
						56
						55
						54
						53
						52
						51
						50
						49
						48
						47
						46
						45
						44
						43
						42
						41
						40
						39
						38
						37
						36
						35
						34
						33
						32
						31
						30
						29
						28
						27
						26
						25
						24
						23
						22
						21
						20
						19
						18
						17
						16
						15
						14
						13
						12
						11
						10
						9
						8
						7
						6
						5
						4
						3
						2
						1

QTY	REV	U/M	DWG SIZE	PART NO	DESCRIPTION	ITEM NO
-2	-1					

QTY	REV	U/M	DWG SIZE	PART NO	DESCRIPTION	ITEM NO
-2	-1					

LOC A
DIST 66

DIMENSIONS IN INCHES. DO NOT SCALE PRINT. TOLERANCES UNLESS OTHERWISE SPECIFIED:
 2 PLC DEC ±.25
 3 PLC DEC ±.
 4 PLC DEC ±.
 ANGLES ±.
 SURF TEXTURE: ✓
 REMOVE BURRS, BREAK SHARP EDGES R.015 MAX

MATL - HT TR - FIN -
 DR 10NOV05 APP 10NOV05 T.ELBIN
 R. KNEPPER
 CHK 13DEC05 REL 13DEC05 G.BAILEY R.KNEPPER
 NAME END FEED HDM APPLICATOR MACHINE REF MINI APPL
 SCALE - DWG NO 1852143 SHEET 1 OF 1 REV A

AMP Tyco Electronics Harrisburg, PA 17105-3608

CAGE CODE 00779 CUSTOMER AND ASSEMBLY DRAWING

THIS DRAWING IS A CONTROLLED DOCUMENT.

THIS DRAWING IS UNCLASSIFIED
 RELEASED FOR PUBLICATION
 DECEMBER 13, 2005
 BY AMP INCORPORATED. ALL RIGHTS RESERVED.
 AMP 1756 REV 3-92

1852143

Mouser Electronics

Authorized Distributor

Click to View Pricing, Inventory, Delivery & Lifecycle Information:

[TE Connectivity:](#)

[1852143-2](#)