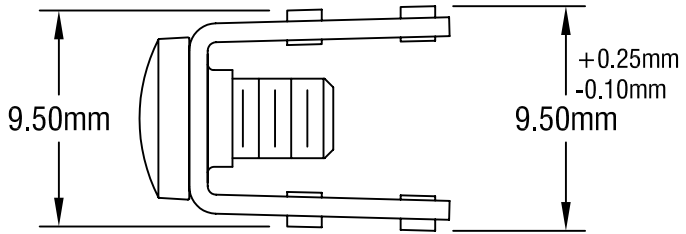
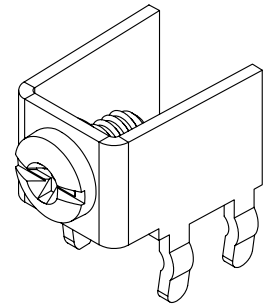
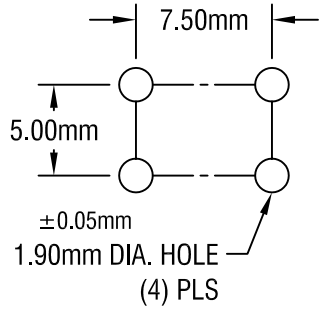
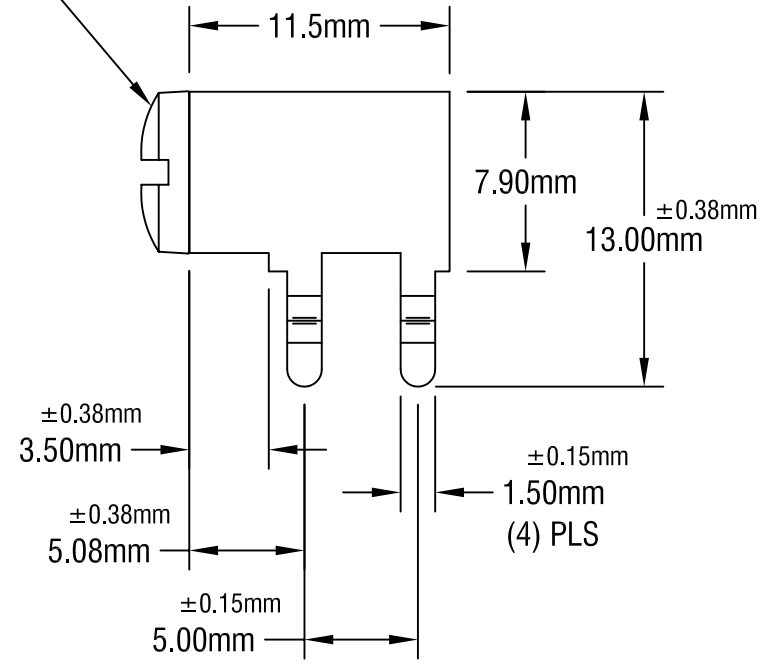
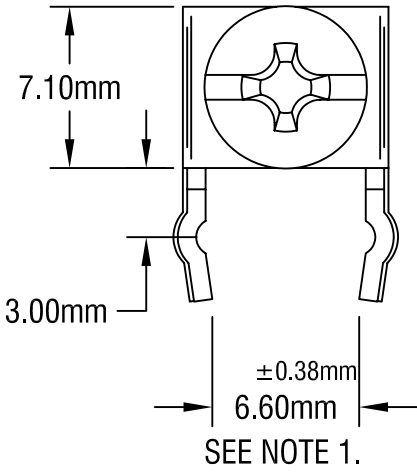


THIS DOCUMENT IS THE PROPERTY OF KEYSTONE ELECTRONICS CORP. AND SHALL NOT BE REPRODUCED, DISTRIBUTED OR USED AS A BASIS FOR MANUFACTURE WITHOUT PRIOR WRITTEN PERMISSION FROM KEYSTONE ELECTRONICS CORP.

MOUNTING DETAIL



M3 x 0.5
6.00mm LONG
CAPTIVATED SCREW



NOTE:

1. ALL DIMENSIONS ARE IN MILLIMETERS.
2. TERMINAL:
MAT'L - 0.8mm TH'K BRASS, TIN PLATE
- SCREW:
MAT'L - BRASS, NICKEL PLATE

KEYSTONE ELECTRONICS CORP.			
ASTORIA, N.Y. 11105-2017			
PART NAME		PC METRIC SCREW TERMINAL	
MATERIAL		AS NOTED	
FINISH	AS NOTED	DRN BY	BOONE
		APP'D	LN
		DATE	4.18.01
		SCALE	3X
TOLERANCES	INCH [MM]	CODE	DWG NO.
DECIMAL	± [± 0.25]	C	
ANGULAR	± 1°		
UNLESS OTHERWISE SPECIFIED			7695

11.18.08	CHANGE AS PER ECN 08-180	D
12.27.07	CHANGE AS PER ECN 07-100	C
DATE	DESCRIPTION	REV.

Mouser Electronics

Authorized Distributor

Click to View Pricing, Inventory, Delivery & Lifecycle Information:

[Keystone Electronics:](#)

[7695](#)