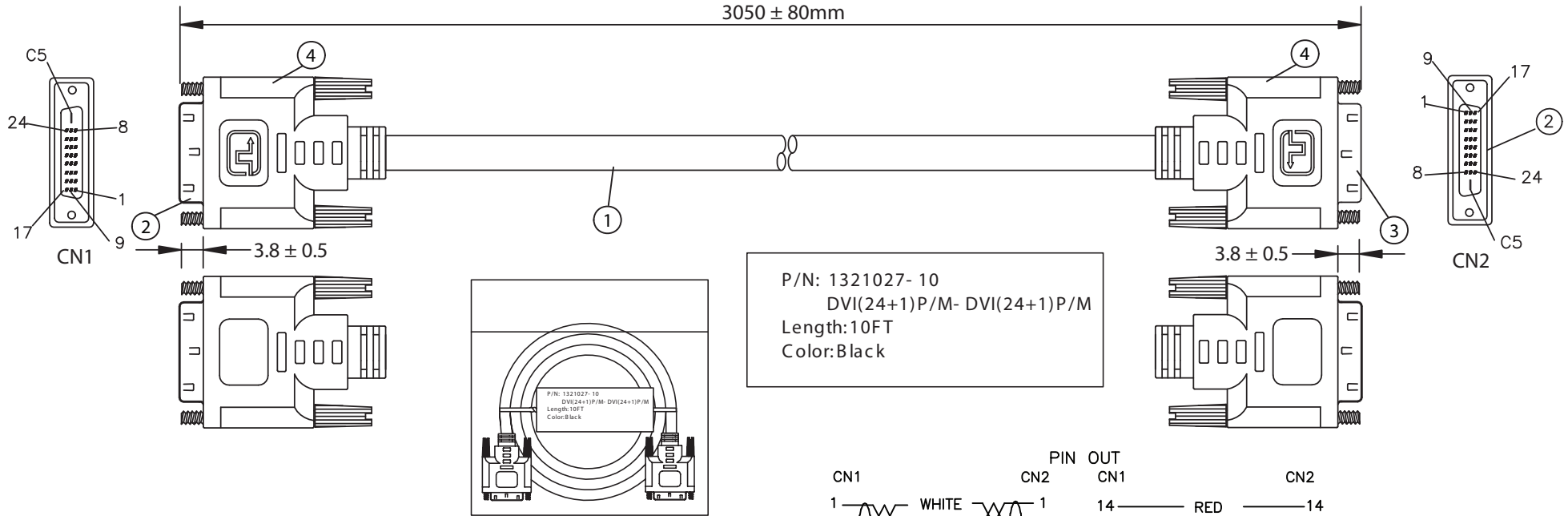


THESE DRAWINGS ARE THE PROPERTY OF QUALTEK ELECTRONICS AND NOT TO BE REPRODUCED FOR OR COMMUNICATED TO A THIRD PARTY WITHOUT THE EXPRESS WRITTEN PERMISSION OF AN OFFICER OF QUALTEK ELECTRONICS.

| REVISION | | | |
|----------|----------------------------|----------|----------|
| REV. | DESCRIPTION | DATE | APPROVED |
| B | Updated Notes and Graphics | 11-18-15 | LY |
| | | | |



NOTES:

- CABLE: UL20276
(28AWG*1PR+EAM)*7+28AWG*1PR+28AWG*3C+AEB(AL) 65%
OUTER JACKET: BLACK, OD: 8.5 ± 0.2mm
- CONNECTOR: DVI 24+1 MALE
INSULATOR: BLACK
PIN G/F
NICKEL PLATED SHELL
THUMB SCREW: 2.8*32.5mm 4-40UNC
- CONNECTOR: DVI 24+1 MALE
INSULATOR: BLACK
PIN G/F
NICKEL PLATED SHELL
THUMB SCREW: 2.8*32.5mm 4-40UNC
- PVC MOLDED: COLOR V398 30P BLACK
- ELECTRICAL TEST:
<1>.100% OPEN SHORT & MISS WIRE TEST
<2>.INSULATION RESISTANCE: AC300V DC400V 10M ohm MIN.
<3>.CONDUCTOR RESISTANCE: 3 ohm MAX.
- PACKING: 1PC/POLYBAG

| CN1 | | CN2 | | PIN OUT | | CN1 | | CN2 | |
|-----|--------|-----|--------|---------|---------------|-------|---------------|-------|---------------|
| 1 | WHITE | 1 | WHITE | 14 | RED | 14 | RED | 14 | RED |
| 2 | GREEN | 2 | GREEN | 15 | VIOLET | 15 | VIOLET | 15 | VIOLET |
| 3 | DRAIN | 3 | DRAIN | 16 | WHITE | 16 | WHITE | 16 | WHITE |
| 4 | DRAIN | 4 | DRAIN | 17 | PINK | 17 | PINK | 17 | PINK |
| 5 | BLUE | 5 | BLUE | 18 | ORANGE | 18 | ORANGE | 18 | ORANGE |
| 6 | YELLOW | 6 | YELLOW | 19 | DRAIN | 19 | DRAIN | 19 | DRAIN |
| 7 | ORANGE | 7 | ORANGE | 20 | BLACK | 20 | BLACK | 20 | BLACK |
| 9 | WHITE | 9 | WHITE | 21 | GRAY | 21 | GRAY | 21 | GRAY |
| 10 | RED | 10 | RED | 23 | LIGHT-BLUE | 23 | LIGHT-BLUE | 23 | LIGHT-BLUE |
| 11 | DRAIN | 11 | DRAIN | 24 | VIOLET | 24 | VIOLET | 24 | VIOLET |
| 12 | DRAIN | 12 | DRAIN | 22 | DRAIN | 22 | DRAIN | 22 | DRAIN |
| 13 | BROWN | 13 | BROWN | SHELL | BRAID & DRAIN | SHELL | BRAID & DRAIN | SHELL | BRAID & DRAIN |

CONTROLLED

| Dim range (mm) | Tolerance +/- (mm) | Qualtek Electronics Corp. WCI DIVISION | | |
|----------------|--------------------|---|-------------------------------|-----------------|
| | | Part Number: | 1321027-10 | RoHS Compliant |
| 0-1 | 0.15 | Description: | DVI (24+1)P/M - DVI (24+1)P/M | |
| 1-6 | 0.20 | UNIT: | mm | REV. B |
| 6-18 | 0.30 | Drawn / Date | Checked / Date | Approved / Date |
| 18-50 | 0.50 | B. Grubb 01-25-07 | 01-25-07 | JJH / 01-25-07 |
| 50-120 | 0.70 | | | |
| 120-250 | 0.90 | | | |
| 250-500 | 1.20 | | | |

Mouser Electronics

Authorized Distributor

Click to View Pricing, Inventory, Delivery & Lifecycle Information:

[Qualtek:](#)

[1321027-10](#)