

# KOBICONN Phone Jacks, Iris Connectors, and Phone Plugs KOBICONN

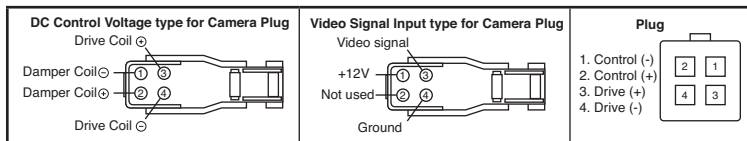
Products may be RoHS compliant. Check mouser.com for RoHS status.

## 1/4" PHONE JACKS

\* With nut and washer where included

For quantities greater than listed, call for quote.

MOUSER STOCK NO.	Fig.	Mfg. Hole (in.)	Ckt. Dia.	Description	Price Each		
					1	10	100
<b>Mono</b>							
161-1203-EX	A	---	1	With black strain relief, in-line	2.08	1.60	1.45
* 161-0085-E	B	.49	2	With switch, N/C enclosed, chassis mount	1.47	1.13	1.03
161-1200-EX	C	---	1	Shielded with black strain relief, in-line	4.33	3.33	3.03
* 161-MJ159M-EX	D	0.37	1	Open Circuit, Chassis Mount	1.61	1.24	1.13
* 161-MJ160M-EX	E	0.37	2	With Switch, NC, Chassis Mount	1.85	1.42	1.29
<b>Stereo</b>							
16PJ226-EX	F	---	3	Open circuit, in-line	1.90	1.46	1.33
161-1303-EX	A	---	3	With black strain relief, in-line	2.25	1.73	1.57
* 16PJ509	G	.49	3	Open circuit, enclosed, PCB mount	3.07	2.36	2.15
* 161-0087-E	B	.49	4	DPDT N/C, chassis mount	2.62	2.02	1.84
161-1300-EX	C	---	3	Shielded with black strain relief, in-line	4.77	3.67	3.34
161-MJ161M-EX	H	0.37	3	Open Circuit, Chassis Mount	1.85	1.42	1.29



## IRIS CONNECTORS

### Features:

- Low Power Signal Control
- RoHS Compliant per Kobiconn documentation
- Security Video Cameras

For quantities greater than listed, call for quote.

MOUSER STOCK NO.	Fig.	Description	Price Each		
			1	10	100
<b>Jacks</b>					
163-156N-1-E	I	Snap-In, Front Panel Mount	3.41	2.62	2.38
163-156N-2-E	I	Snap-In, Front Panel Mount for PC Board	3.41	2.62	2.38
163-158N-2-E	I	Snap-In, Rear Panel Mount for PC Board	3.41	2.62	2.38
163-157J-E	J	Snap-In, PCB Mount	3.60	2.77	2.52
<b>Plugs</b>					
163-191J-E	K	Camera Plug, 2 pc, Cable Size ø2-4	3.74	2.88	2.62

## CUSTOM MOLDING PHONE PLUGS

### Features:

- Nickel plated brass contacts
- Ideal for molding to your cable

For quantities greater than listed, call for quote.

MOUSER STOCK NO.	Fig.	Description	Price Each			
			1	25	50	100
171-P3154-L-E	L	3.5mm mono plug, straight or right angle	.69	.53	.48	.44
171-3204	M	3.5mm stereo plug, straight or right angle	3.76	2.89	2.63	2.39
171-P6101SL-1S-EX	N	1/4" mono plug, high reliability, 2 conductor	1.34	.89	.81	.74
171-P6107L-3S-E	L	1/4" mono plug, standard 2 conductor	.79	.61	.55	.50

## 2.5MM PHONE PLUGS

For quantities greater than listed, call for quote.

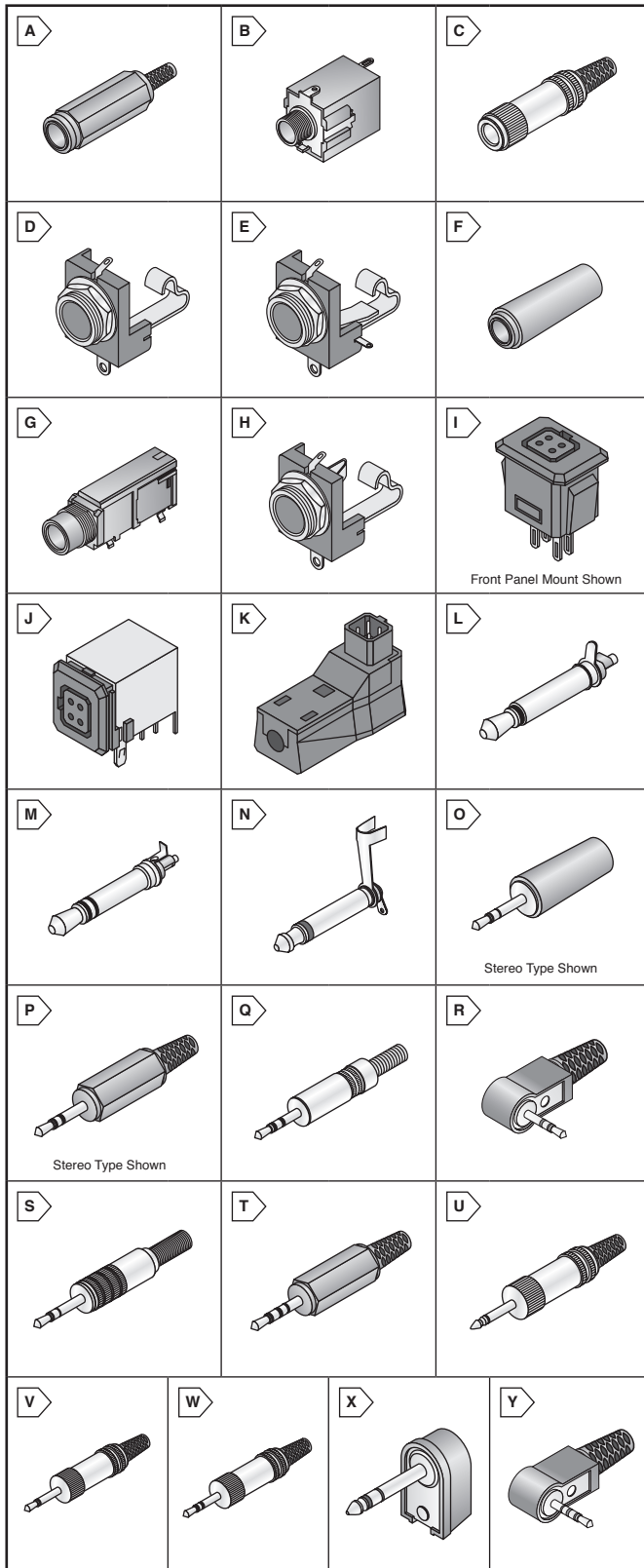
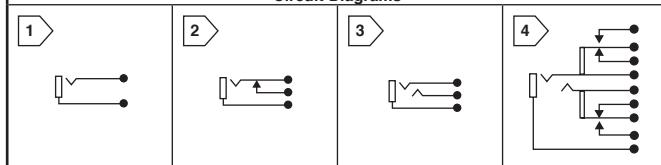
MOUSER STOCK NO.	Fig.	Description	Price Each			
			1	25	50	100
<b>Mono</b>						
171-PA2181-1-E	O	Economy, black plastic handle, unshielded	.86	.66	.63	.60
171-101A-EX	O	Economy, black plastic handle, unshielded	1.04	.80	.73	.66
17PP053-EX	O	Black plastic handle, plastic threaded bushing, unshielded	.78	.52	.47	.43
171-3304-EX	P	Plastic threaded bushing, .33" (D) x 1.5" (L), unshielded	.78	.52	.47	.43
171-PA2181-2-E	Q	Shield handle spring strain relief	1.70	1.31	1.25	1.19
171-0250-EX	R	Right angle with strain relief	1.04	.80	.73	.66
<b>Stereo</b>						
171-0025-EX	P	Metal threaded bushing, strain relief	2.60	2.00	1.82	1.65
171-3306	S	Spring strain relief, shielded	5.01	3.85	3.50	3.18
171-PA2281-2-E	Q	Shield handle w/ spring strain relief and solder terminals	1.79	1.38	1.31	1.25
171-3325-EX	R	Right angle with strain relief	1.85	1.42	1.29	1.17
<b>4 Conductor</b>						
171-7425-E	T	Black plastic handle with strain relief	1.87	1.44	1.31	1.19

## 3.5MM PHONE PLUGS

† Insulated sleeve, black strain relief  
For quantities greater than listed, call for quote.

MOUSER STOCK NO.	Fig.	Description	Price Each			
			1	25	50	100
<b>Mono</b>						
171-PA3191-1-E	O	Black plastic handle with metal threaded bushing, unshielded	.81	.62	.59	.56
171-3302-EX	P	Metal threaded bushing, .33"(D)x1.5"(L), unshielded	1.25	.96	.87	.79
171-3500-E	O	Black plastic handle w/ threaded metal bushing, unshielded	1.25	.96	.88	.80
171-PA3191-2-E	Q	Shielded handle spring strain relief	1.70	1.31	1.25	1.19
171-3200-EX	U	Black strain relief, insulated sleeve, U.S. tip, shielded	2.02	1.55	1.41	1.28
171-3235-EX	V	Black strain relief, insulated sleeve, Japan tip, shielded	2.02	1.55	1.41	1.28
171-0350-EX	N	Right angle with strain relief	1.04	.69	.63	.57
<b>Stereo</b>						
171-PA3291-1-E	O	Black plastic handle with threaded bushing	1.04	.80	.76	.72
17PP004-EX	P	Hi-rel, molded, plastic threaded bushing w/ strain relief, unshield	1.27	.98	.89	.81
† 171-3300-EX	W	Plastic bushing screw threads, .37" (D) x .98" (L), shielded	2.87	2.21	2.01	1.83
† 171-3301-EX	W	Metal bushing screw threads, .37" (D) x .98" (L), shielded	2.87	2.21	2.01	1.83
171-3308-EX	X	Black plastic body, right angle, unshielded	1.61	1.24	1.13	1.03
171-PA3291-2-E	Q	Shielded handle spring strain relief	1.70	1.31	1.25	1.19
<b>4 Conductor</b>						
171-7435-EX	T	Black plastic handle with strain relief	2.60	2.00	1.82	1.65
171-6435-EX	Y	Right angle with strain relief	2.77	2.13	1.94	1.76

## Circuit Diagrams



Audio/Video Connectors Kobiconn

# Mouser Electronics

Authorized Distributor

Click to View Pricing, Inventory, Delivery & Lifecycle Information:

[Kobiconn:](#)

[171-3235-EX](#)