

Features

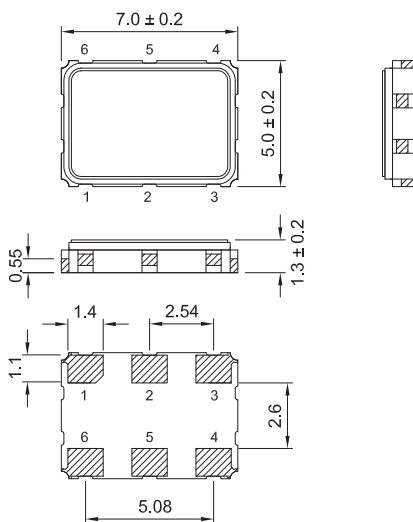
- > Voltage Controlled Crystal Oscillator (VCXO).
- > Fundamental solution.
- > PECL output, output frequencies 60 MHz to 220 MHz.
- > Excellent low phase noise and jitter.
- > Tri-State function available.
- > Applications : SDH/ SONET.
- > RoHS Compliant / Pb Free.

Electrical Specifications

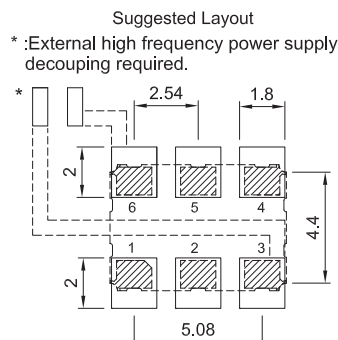
Item / Type	BJ
Output Type	LVPECL
Output Load	50 to VDD - 2 V
Oscillation Mode	Fundamental
Supply Voltage	3.3 V
Frequency Range	60 ~ 220 MHz
Frequency Stability / Operating Temperature	± 50 ppm / - 40 ~ + 85 °C
Storage Temperature Range	- 55 ~ + 125 °C
Voltage Vol (Max.) / Voh (Min.)	VDD - 1.62 V / VDD - 1.025 V
Rise (Tr) / Fall (Tf) Time (20 % ~ 80 %)	1 ns Max.
Supply Current	80 mA
Symmetry	45 ~ 55 %
Start-up Time	10 ms Max.
Absolute Pulling Range (APR) *	± 100 ppm Min. or specify
Nominal Control Voltage	1.65 V
Control Voltage Range	0 ~ 3.3 V
Linearity	± 10 % Max.
Phase Jitter (12 KHz ~ 20 MHz)	1 ps Max.

* APR=(Pull Range) - (Degrations due to initial tolerance, operating temperature, supply voltage variation and aging)

Dimensions



PAD FUNCTION:
 1: CONTROL VOLTAGE
 2: ENABLE CONTROL
 3: GND
 4: OUT
 5: ~OUT
 6: VDD



Units:mm

Remark : Specification subject to change without prior notice. Please confirm with our sales.

Mouser Electronics

Authorized Distributor

Click to View Pricing, Inventory, Delivery & Lifecycle Information:

[TXC Corporation:](#)

[BJ-122.880MBE-T](#) [BJ-155.520MBE-T](#) [BJ-156.250MBE-T](#) [BJ-161.1328MBE-T](#) [BJ-166.6286MBE-T](#) [BJ-187.500MBE-T](#)
[BJ-61.440MBE-T](#) [BJ-77.760MBE-T](#) [BJ-122.880MCE-T](#) [BJ-155.520MCE-T](#) [BJ-156.250MCE-T](#) [BJ-161.1328MCE-T](#)
[BJ-166.6286MCE-T](#) [BJ-187.500MCE-T](#) [BJ-61.440MCE-T](#) [BJ-77.760MCE-T](#)