

4

3

2

1

THIS DRAWING IS UNPUBLISHED.

RELEASED FOR PUBLICATION

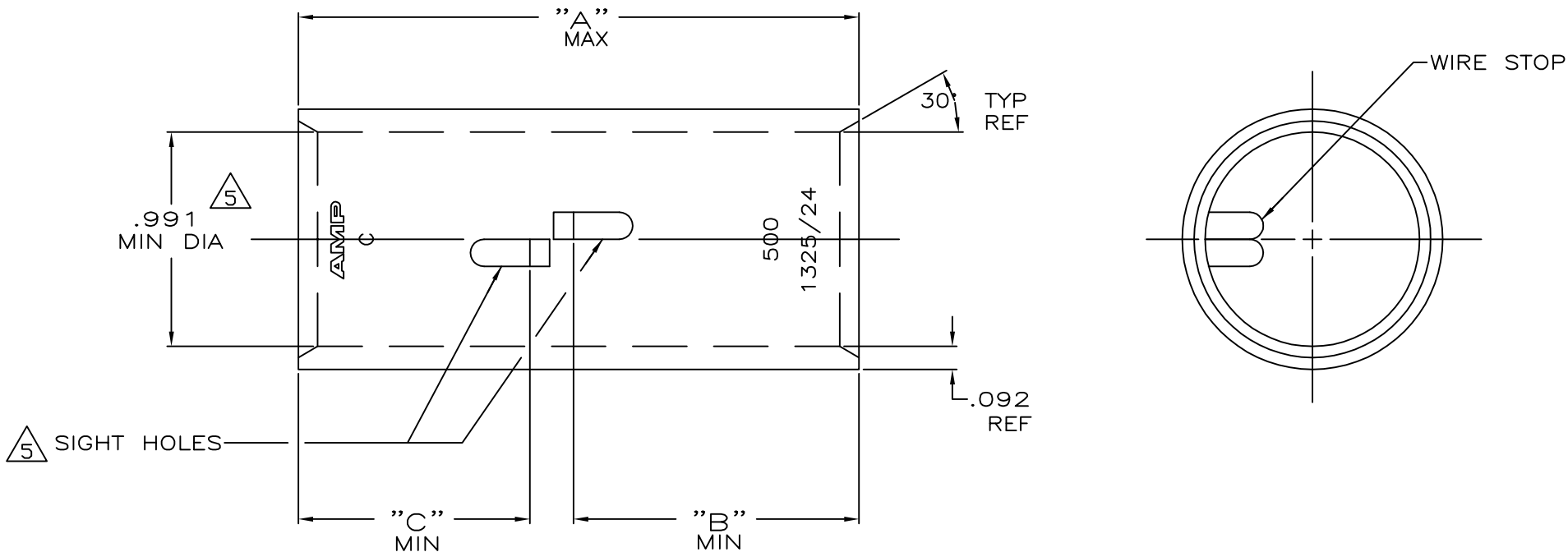
ALL RIGHTS RESERVED.

© COPYRIGHT - By -

LOC G DIST 86

REVISIONS

P	LTR	DESCRIPTION	DATE	DWN	APVD
	R	ECR-13-000998	11FEB2013	PK	HS



- ① TIN PL .000150 MIN THK PER ASTM B 545
- ② PART NO: 324466; .243 LB.
PART NO: 1-324466-0; .243 LB.
PART NO: 2-324466-1; .243 LB.
PART NO: 2-324466-2; .269 LB.
- ③ RED COLOR CODE
- ④ CLEANED, UNPLATED
- ⑤ .045 MAX BURR ALLOWED INSIDE THE WIRE BARREL ID IN AREA OF SIGHT HOLE.

OBSELETE	1.07	1.32	2.64	①	450-550 MCM	COPPER ASTM-B-75 ANNEALED	2-324466-2
	1.07	1.07	2.41	④			
				⑤			1-324466-0
							324466
	"C"	"B"	"A"	FINISH	WIRE RANGE	MATERIAL	PART No

THIS DRAWING IS A CONTROLLED DOCUMENT.

DWN DK SCHRUM 4/24/89	STE TE Connectivity
CHK MS FEHER 4/24/89	
APVD WJ VOCKROTH 11/8/89	NAME
PRODUCT SPEC	SPLICE, BUTT, AMPPOWER WIRE SIZE: 500 MCM
APPLICATION SPEC	SIZE CAGE CODE DRAWING NO RESTRICTED TO
WEIGHT	A3 00779 C=324466
MATERIAL SEE TABLE	FINISH SEE TABLE
CUSTOMER DRAWING	
SCALE 2:1	SHEET 1 OF 1
REV R	

Mouser Electronics

Authorized Distributor

Click to View Pricing, Inventory, Delivery & Lifecycle Information:

[TE Connectivity:](#)

[2-324466-2](#)