

## MINI/CIRCULAR DINs: KMDVLX Series Snap and Lock Vertical Mini-DIN

### Product Features

Audio, Video, Computer and Digital Equipment Applications  
 Mates With Standard and Snap and Lock Plugs  
 Inner Shield for Good Conductivity, Grounding and EMI/RFI Protection  
 Visual and Mechanical Polarization for Plug Insertion  
 Closed Bottom for Better Solderability  
 Various Circuit Sizes  
 CSA/NRTL Certified File No. LR78160  
 UL File No. E140125

### Performance Specifications

#### Materials and Finish

**Body**  
 PBT Thermoplastic, Black Color, UL 94V-0 Rated

#### Contacts

Phosphor Bronze, Silver Plated

### Mechanical Characteristics

#### Insertion Force

4.5kg Max.

#### Extraction Force

0.4kg - 3.5kg

#### Durability

5000 Cycles Min. with Test Plug

### Electrical Characteristics

#### Rated Current

2A

#### Rated Voltage

12V DC

#### Insulation Resistance

100 Megohm Min. at 250V DC

#### Contact Resistance

##### Before Durability Test

Plug to Terminals: 30 milliohms Max.

##### After Durability Test

Plug to Terminals: 60 milliohms Max.

#### Dielectric Withstanding Voltage

500V RMS AC for 1 Minute

#### Operating Temperature

-25°C to + 75°C

2D Drawing	IGES	STEP	3D PDF
Solder Profile	CofC RoHS Compliant	CofC REACH Compliant	UL Plastic File
Certificate of Origin	Check Stock	Request a Sample	Send Us An Email

### Generated Part Number

#### Part Number Builder

	-			
Series		Number of Contacts	Contact Type	Option

#### Series

**KMDVLX** - Vertical PCB Mount Mini-DIN Connector

#### Number of Contacts

- 3 Contacts
- 4 Contacts
- 5 Contacts
- 6 Contacts
- 8 Contacts

#### Contact Type

**S** - Receptacle

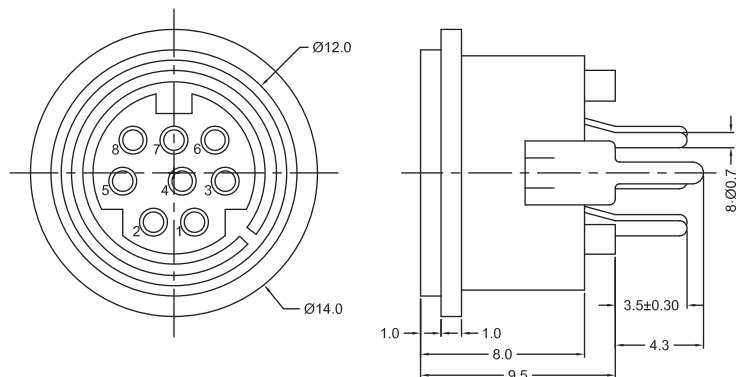
#### Shielding Option

**N** - Non-Shielded

Contact Kycon for Other Options

### KMDVLX Series

Dimensions in mm



# Mouser Electronics

Authorized Distributor

Click to View Pricing, Inventory, Delivery & Lifecycle Information:

[Kycon:](#)

[KMDVLX-8S-N](#) [KMDVLX-3S-N](#) [KMDVLX-4S-N](#) [KMDVLX-5S-N](#) [KMDVLX-6S-N](#) [KMDVLXHT-8S-N](#)