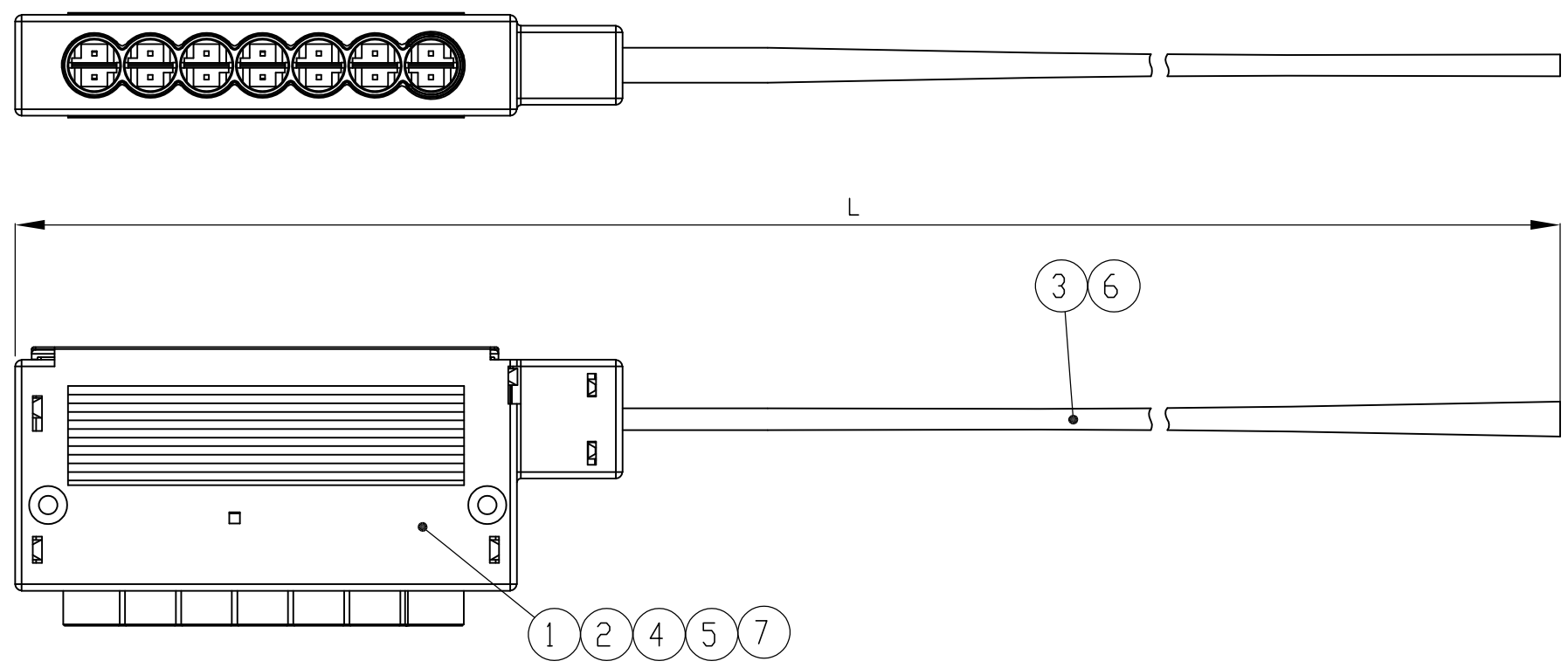


THIS DRAWING IS UNPUBLISHED. RELEASED FOR PUBLICATION
 © COPYRIGHT - By - ALL RIGHTS RESERVED.

LOC	DIST	REVISIONS					
		P	LTR	DESCRIPTION	DATE	DWN	APVD
			A	INITIAL DRAWING	27JAN2010	TB	SED
			B	CABLE ITEM 6 AND NOTE 1 CHANGED	22JAN2015	TB	GA



WIRE SCHEDULE:
 Belegungsplan:

CONNECTOR	COLOR FARBE
PHASE/+	BROWN/BRAUN
NEUTRAL/-	BLUE/BLAU

LENGTH SCHEDULE:
 Laengentabelle:

TE Part No.	REV.	LENGTH L (mm)	TOL.	CABLE COLOR
1-2083041-1	A	1000	±20	black
1-2083041-2	B	1000	±20	white
2-2083041-1	A	1000	±20	black
2-2083041-2	B	1000	±20	white

NOTES

- 1 PACKAGING:
 ASSEMBLIES PACKED IN TE STANDARD BOXES WITH INTERMEDIATE LAYERS OF CORRUGATED PAPER OR PAPER STUFFING.
 BUNDLE EVERY 25 ASSEMBLIES WITH A RUBBER BAND.
- 2 100% ELECTRICAL TEST ACCORDING TE SPECIFICATION 108-18857. 3.1.1

BEMERKUNGEN

- 1 VERPACKUNG:
 ASSEMBLIES IN TE STANDARDKARTON MIT ZWISCHENLAGEN (WELLPAPPE ODER PAPIERPOLSTERKISSEN) VERPACKT.
 25 KABEL MIT EINEM GUMMIBAND GEBÜNDELT.
- 2 100% ELEKTRISCHE PRUEFUNG NACH TE SPEZIFIKATION 108-18857. 3.1.1

1	1	1	1	Coding ring	7
see table	-	see table	-	H03VVH2-F 2x0.75mm ² , white	6
1	-	1	-	Cover, white	5
1	1	-	-	7 pos. distributor, yellow LV-2	4
-	see table	-	see table	H03VVH2-F 2x0.75mm ² , black	3
-	1	-	1	Cover, black	2
-	-	1	1	7 pos. distributor, light grey LV-1	1
QTY	QTY	QTY	QTY	DESCRIPTION	ITEM NO.
2 - 22	- 11	1 - 2	1 - 1		

THIS DRAWING IS A CONTROLLED DOCUMENT.		DWN T.BURZYNSKI 27JAN2010	TE Connectivity Cable Assembly Mini HVL 7 Way Distri to pigtail				
DIMENSIONS: mm		CHK S.SEDLAKOWA 27JAN2010					
		APVD G.LINDEMAN 27JAN2010					
TOLERANCES UNLESS OTHERWISE SPECIFIED:		PRODUCT SPEC					
0 PLC ± - 1 PLC ± - 2 PLC ± - 3 PLC ± - 4 PLC ± - ANGLES ± -		APPLICATION SPEC	SIZE	CAGE CODE	DRAWING NO	RESTRICTED TO	
MATERIAL		FINISH	WEIGHT	A3	00779	C-2083041	-
CUSTOMER DRAWING			SCALE	NTS	SHEET	1 OF 1	REV
							B

Mouser Electronics

Authorized Distributor

Click to View Pricing, Inventory, Delivery & Lifecycle Information:

[TE Connectivity:](#)

[1-2083041-1](#)