

THIS DRAWING IS UNPUBLISHED.

RELEASED FOR PUBLICATION

ALL RIGHTS RESERVED.

© COPYRIGHT - By -

LOC FT DIST 0

REVISIONS

P	LTR	DESCRIPTION	DATE	DWN	APVD
	A6	ADD- RECOMMENDED PCB LAYOUT	17MAR2015	CR	PS

MATERIALS:

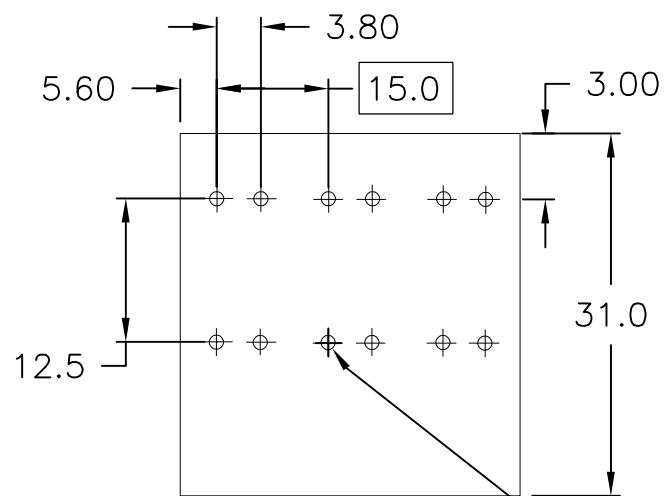
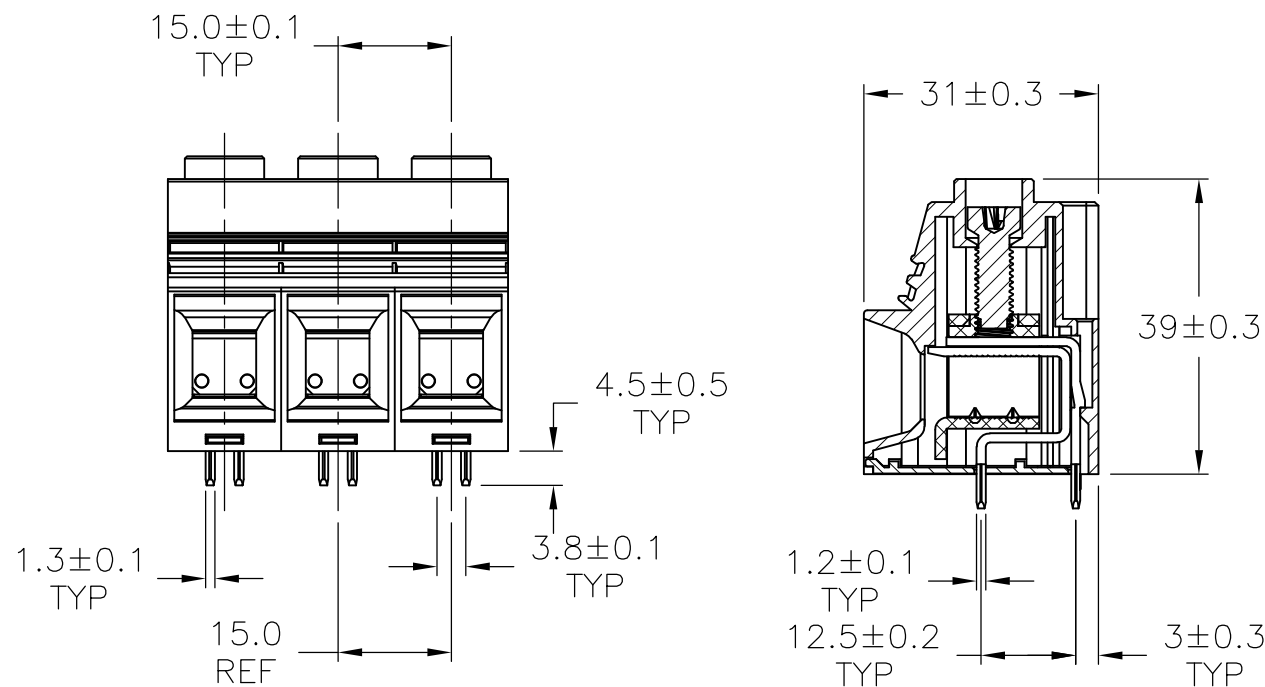
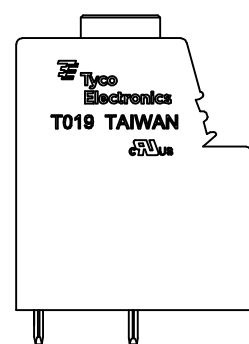
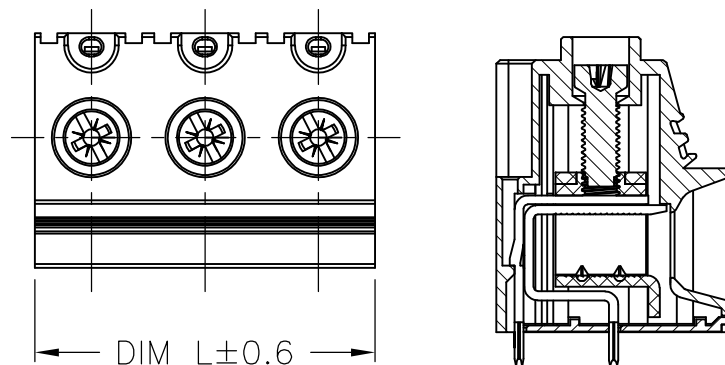
HOUSING: PA66, UL94V-0, COLOR: GREEN.
 TERMINAL: BRASS, TIN PLATED.
 CAGE CLAMP: STEEL, ZINC PLATED.
 SCREW: M5, STEEL, TRI-CHROMATE.

ELECTRICAL:

CURRENT RATING: 125A
 VOLTAGE RATING: 600V.
 INSULATION WITHSTANDS: AC2000V MIN
 INSULATION RESISTANCE: 2000Mohm/DC500V
 WIRE RANGE: 1-20 AWG


MECHANICAL:

SCREW TORQUE: 30 IN-LB
 OPERATING TEMP.: -40° TO +105°C
 WIRE STRIP LENGTH: 18mm



RECOMMENDED PCB LAYOUT

DIM L	NO OF POS	PART NUMBER
120.00	8	1986242-8
105.00	7	1986242-7
90.00	6	1986242-6
75.00	5	1986242-5
60.00	4	1986242-4
45.00	3	1986242-3
30.00	2	1986242-2

THIS DRAWING IS A CONTROLLED DOCUMENT.		DWN S SCHLEGEL 28AUG2007	 TE Connectivity		
DIMENSIONS: mm		CHK C RICHARD 8/28/07			
TOLERANCES UNLESS OTHERWISE SPECIFIED: ±0.1		APVD C RICHARD 8/28/07	NAME POWER CONNECTOR 15.0mm PITCH		
0 PLC ±- 1 PLC ±- 2 PLC ±- 3 PLC ±- 4 PLC ±- ANGLES ±1°		PRODUCT SPEC -	RESTRICTED TO -		
MATERIAL -		APPLICATION SPEC -	SIZE A3	CAGE CODE 00779	DRAWING NO C-1986242
FINISH -		WEIGHT -	CUSTOMER DRAWING		SCALE 1:1
		SHEET 1 OF 1		REV A6	

Mouser Electronics

Authorized Distributor

Click to View Pricing, Inventory, Delivery & Lifecycle Information:

[TE Connectivity:](#)

[1986242-2](#)