

THIS DRAWING IS UNPUBLISHED.

RELEASED FOR PUBLICATION

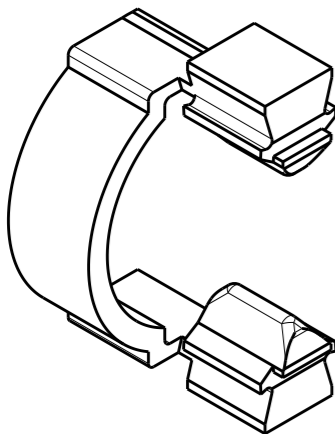
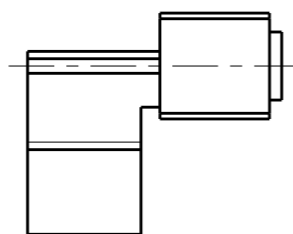
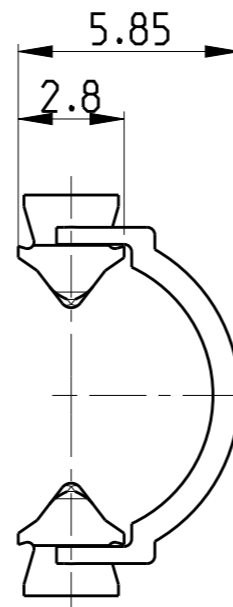
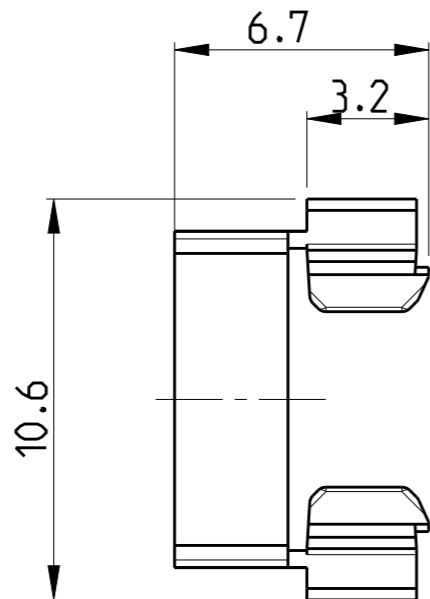
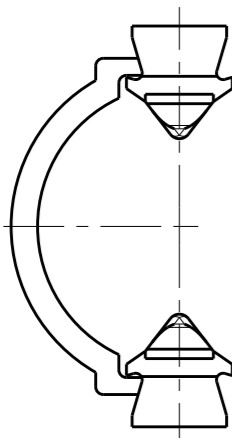
2005

© COPYRIGHT 2005 BY -

ALL RIGHTS RESERVED.

REVISIONS

P	LTR	DESCRIPTION	DATE	DWN	APVD
	H	REVISED PER ECR-17-016389	14NOV2017	RK	JL



1:1

Notes:

1. Ring Clip used for Tube PN 1740260-x
2. Tool needed for assembling
Tube and Ring Clip (see Application Spec.)
Half ring will be sheared off

0-1740261-2	D	BLACK (ANTHRACITE)
0-1740261-1	D	NATURAL (WHITE)
PN	REV.	COLOR

THIS DRAWING IS A CONTROLLED DOCUMENT.		DWN H.ATZMANN 08FEB2005												
DIMENSIONS: mm		CHK M.OFENLOCH 08FEB2005												
TOLERANCES UNLESS OTHERWISE SPECIFIED:		APVD T.GERLACH 08FEB2005												
<table border="0"> <tr> <td>0 PLC</td> <td>±0.2</td> </tr> <tr> <td>1 PLC</td> <td>±0.2</td> </tr> <tr> <td>2 PLC</td> <td>±0.2</td> </tr> <tr> <td>3 PLC</td> <td>±</td> </tr> <tr> <td>4 PLC</td> <td>±</td> </tr> <tr> <td>ANGLES</td> <td>±1°</td> </tr> </table>		0 PLC			±0.2	1 PLC	±0.2	2 PLC	±0.2	3 PLC	±	4 PLC	±	ANGLES
0 PLC	±0.2													
1 PLC	±0.2													
2 PLC	±0.2													
3 PLC	±													
4 PLC	±													
ANGLES	±1°													
MATERIAL PA 6	FINISH -	APPLICATION SPEC 114-18751	NAME 7.5mm MiniHVL Connector System Ring Clip											
		WEIGHT 0.1 g	SIZE A3	CAGE CODE 00779										
		CUSTOMER DRAWING	DRAWING NO C-1740261	RESTRICTED TO -										
			SCALE 5:1	SHEET 1 OF 1										
				REV H										

Mouser Electronics

Authorized Distributor

Click to View Pricing, Inventory, Delivery & Lifecycle Information:

[TE Connectivity:](#)

[1740261-2](#)