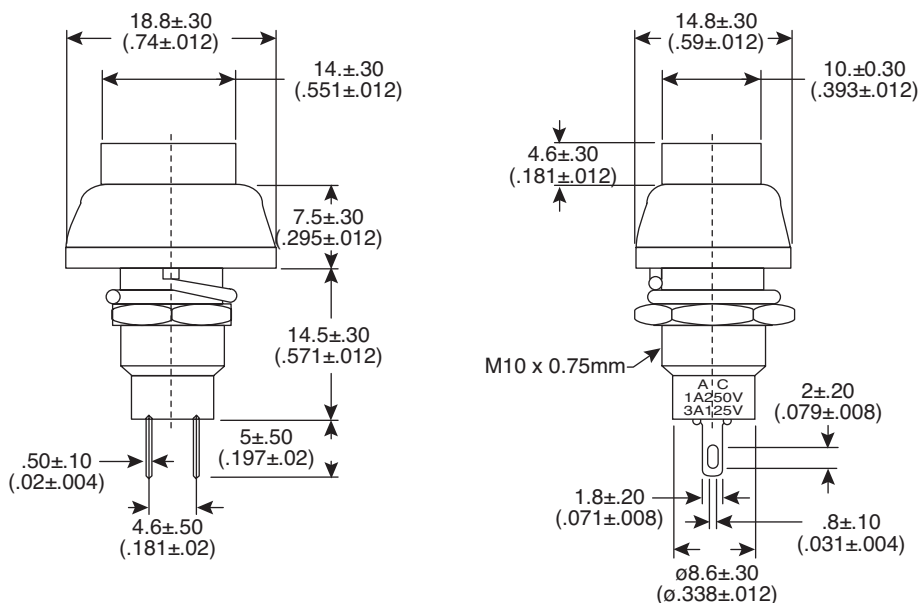
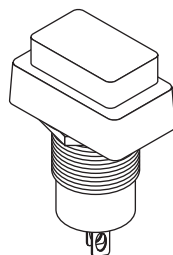


Dimensions: mm (In.)



Electrical Specifications:

- Rating: 3A/125V, 1A/250V AC
- Contact Resistance: 50mΩ Max.
- Insulation Resistance: 500VDC 100MΩ Min.
- Dielectric Strength: 1500VAC 1 minute

Mechanical Specifications:

- Type: 2P SPST

Note:

- RoHS Compliant by Exemption

Mouser Stock No.	Button Color	Frame Color	Circuit
107-3035-EVX	Red	Black	OFF-(ON)
107-3036-EVX	Red	Black	OFF-ON
107-3037-EVX	Black	Black	OFF-(ON)
107-3038-EVX	Black	Black	OFF-ON
107-3039-EVX	Silver	Black	OFF-(ON)
107-3040-EVX	Silver	Silver	OFF-(ON)
107-3041-EVX	Silver	Black	OFF-(ON)
107-3042-EVX	Silver	Silver	OFF-(ON)

Pushbutton Switches

107-3035-EVX, 107-3036-EVX, 107-3037-EVX, 107-3038-EVX,
107-3039-EVX, 107-3040-EVX, 107-3041-EVX, 107-3042-EVX



Mouser Electronics

Authorized Distributor

Click to View Pricing, Inventory, Delivery & Lifecycle Information:

Mountain Switch:

[107-3035-EVX](#) [107-3041-EVX](#) [107-3039-EVX](#) [107-3040-EVX](#) [107-3038-EVX](#) [107-3037-EVX](#) [107-3042-EVX](#) [107-3036-EVX](#)