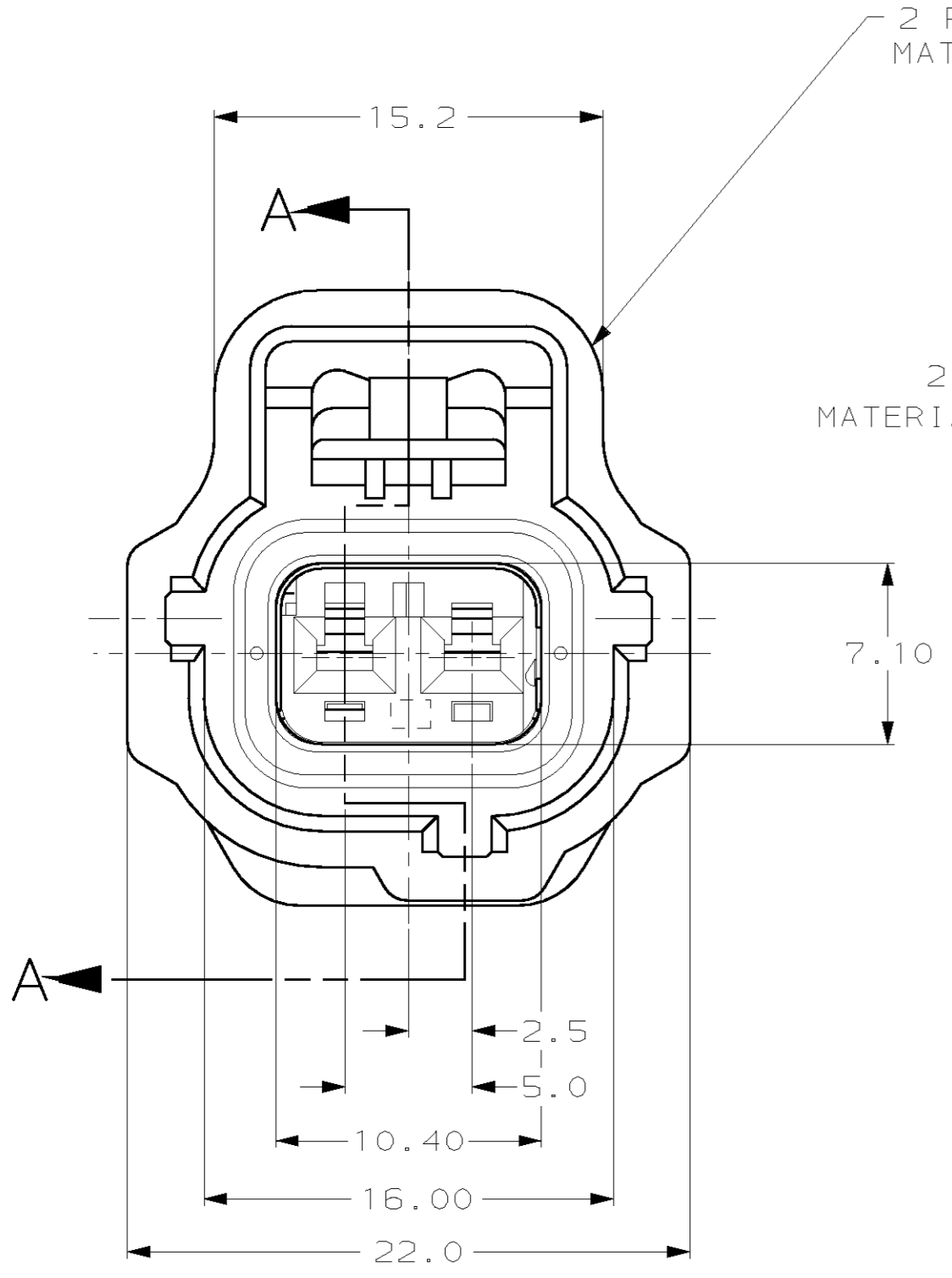
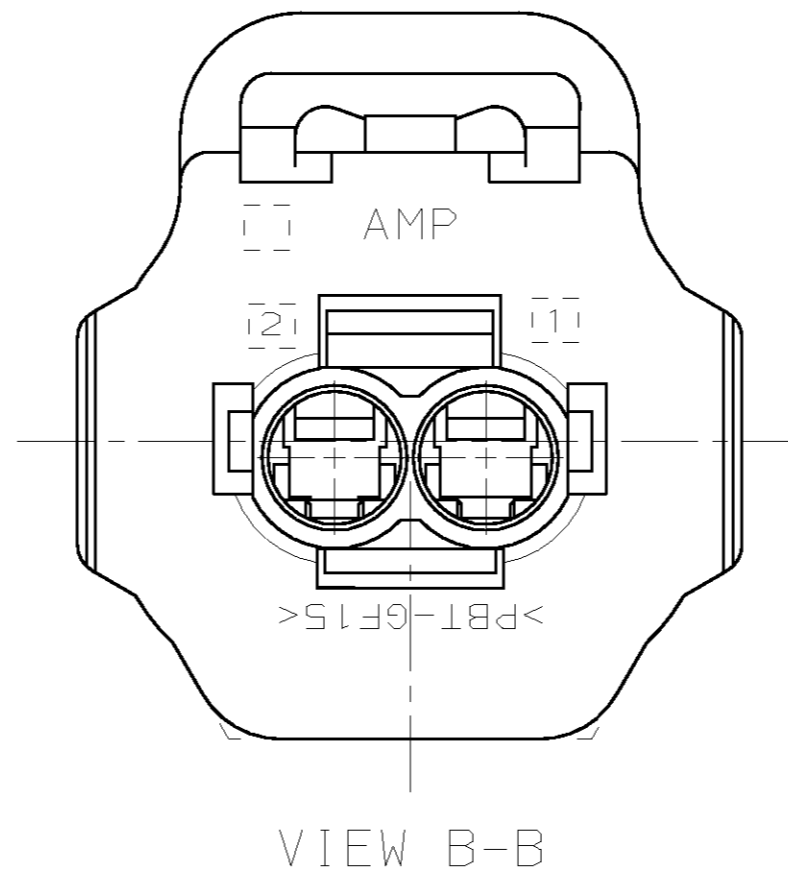
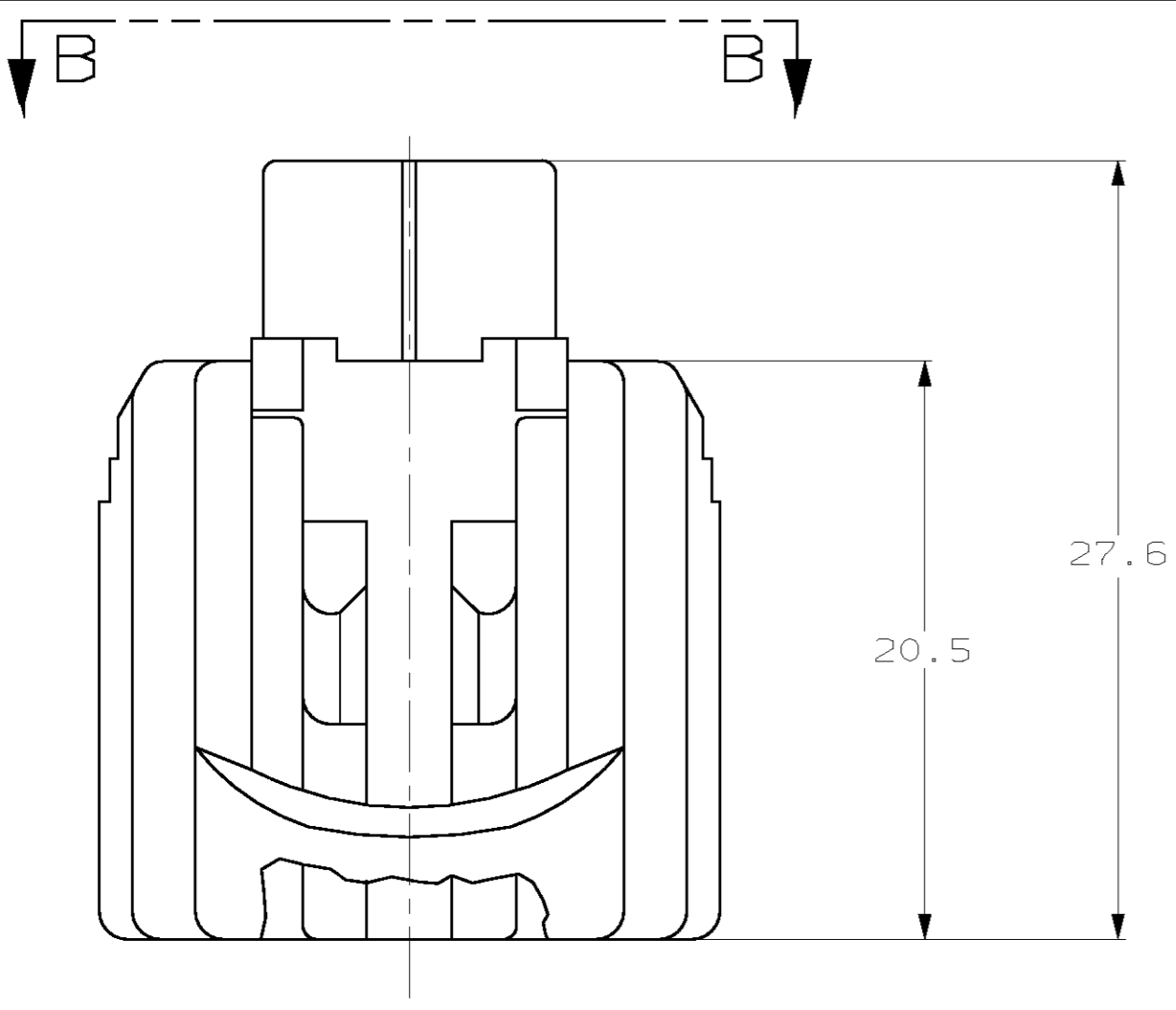
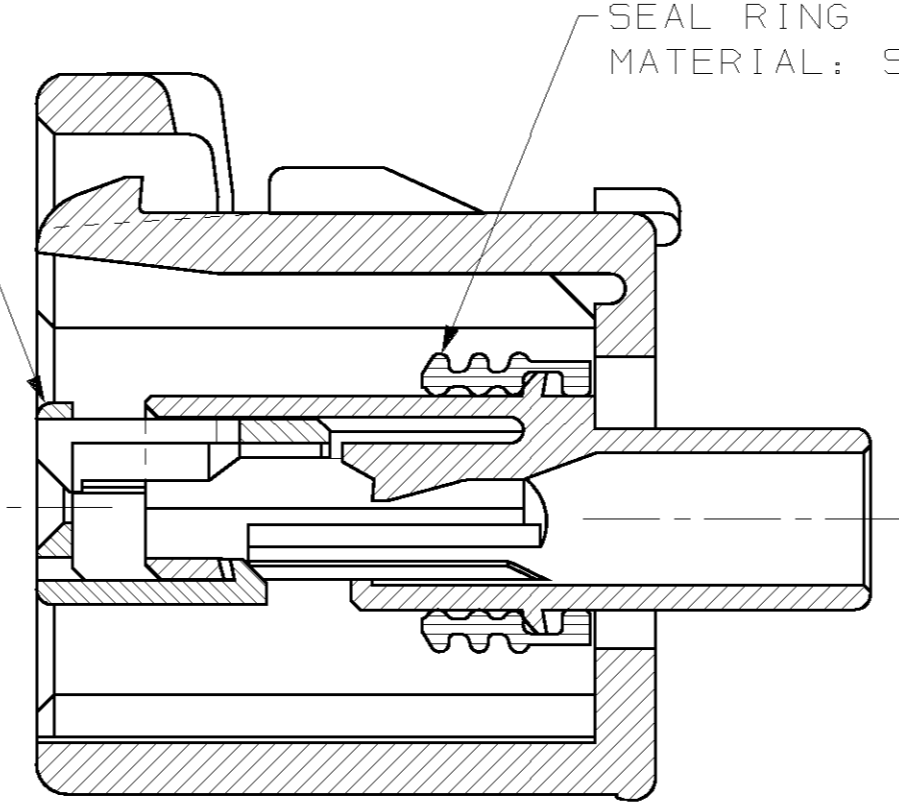


LOC		DIST		REVISIONS		
P	LTR	DESCRIPTION	DATE	DWN	APVD	
G	16	0	RELEASED, WAS 92-4072-2313-7	-	-	
		A	REV PER ECN 0720-0290-94	10/14/94	KDL JPK	
		B	REV PER ECN 0720-0446-94	12/16/94	KW JK	
		C	REV PER ECN 0720-0466-95	01/23/95	KW JK	
		D	REV PER ECN 0K50-0003-96	08/13/96	KW JK	
		E	REV PER EC# 0K40-0140-00	7-10-00	PC GI	



2 POSN PLUG
 MATERIAL: PBT, 15% GLASS FILLED

2 POSN. DOUBLE LOCK PLATE
 MATERIAL: PBT, 15% GLASS FILLED



SECTION A-A

KEYING TYPE G

<small>THIS DRAWING IS A CONTROLLED DOCUMENT FOR AMP INCORPORATED. IT IS SUBJECT TO CHANGE AND THE CONTROLLING ENGINEERING ORGANIZATION SHOULD BE CONTACTED FOR THE LATEST REVISION.</small>		DWN	KD LYTLE	3/25/94
<small>TOLERANCES UNLESS OTHERWISE SPECIFIED:</small>		CHK	JP KUNKLE	4/19/94
<small>DIMENSIONS:</small> mm		APVD	-	-
		PRODUCT SPEC	-	-
0 PLC ±- 1 PLC ±0.30 2 PLC ±0.15 3 PLC ±- 4 PLC ±- ANGLES ±1° FINISH -		APPLICATION SPEC	-	-
MATERIAL -		WEIGHT	-	-
		CUSTOMER DRAWING		

GRAY	184012-1
PLUG COLOR	PART NO
AMP AMP Incorporated Harrisburg, PA 17105-3608	
1 X 2 PLG ASY KEY G-C3	
SIZE	CAGE CODE
A2	00779
DRAWING NO	C-184012
SCALE	SHEET
4:1	1 OF 1
REV	E

184012

Mouser Electronics

Authorized Distributor

Click to View Pricing, Inventory, Delivery & Lifecycle Information:

[TE Connectivity:](#)

[184012-1](#)