

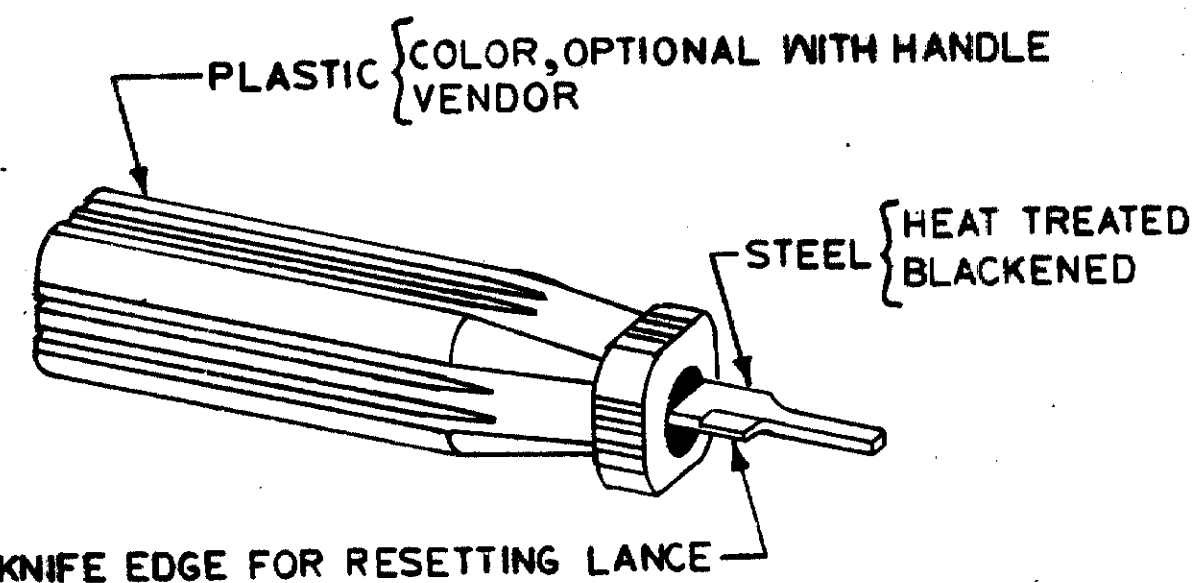
© COPYRIGHT 1976 BY AMP INCORPORATED, HARRISBURG, PA.
 ALL INTERNATIONAL RIGHTS RESERVED. AMP INCORPORATED PRODUCTS
 COVERED BY U. S. AND FOREIGN PATENTS AND/OR PATENTS PENDING.

REVISIONS					
P	F	ZONE	LTR	DESCRIPTION	DATE APPROVED
		B		REDRAWN ECN R1688	5-20-76
		B1		ADDED TERM 640296	8-18-77
		B2		640296 WAS 640256	3-14-77

TOOL NUMBER	TERMINAL	HOUSINGS
693597-1	EXTRACTS	FROM
		61284
		61599
		640252
	COMMERCIAL MATE-N-LOK SOCKETS	1-480459-0
693597-2	EXTRACTS	FROM
		61668 ▲
		350194 ▲
		61347
		350056
		350490
		60952 ■
		61019 ■
61249 ■		
693597-3	EXTRACTS	FROM
		350057
		350059
		350067
		350068
		350207
		350208
		350348
		350349
		170073 ●
		350343
		350850
693597-4	EXTRACTS	FROM
		350343 ■
		350850 ■
		640296
		640297
		640298
		640299

CODE:

- ▲ ALTERNATE (RECOMENDED TOOL P/N 457241-1)
- AMP (JAPAN), LTD.
- ALTERNATE TOOL P/N 693597-3



OVERALL DIMENSIONS
 LENGTH — 2.25
 WIDTH — .50
 HEIGHT — .50

UNLESS OTHERWISE SPECIFIED DIMENSIONS ARE IN INCHES. TOLERANCES ON: DECIMALS ±.03 ANGLES ±	CONTRACT NO	AMP INCORPORATED Harrisburg, Pa.	
	DR W.M. KISSINGER 5/20/76	NAME	
MATERIAL	APPD	TOOL, EXTRACTION	
SEE NOTES	APPD	SIZE	CODE IDENT NO
FINISH	DSGN APPD	C	00779
SEE NOTES	OTHER APPD	DRAWING NO 693597	
		SCALE N.T.S.	SHEET 1 OF 1

CUSTOMER DRAWING

Customer 0693597

693597

Mouser Electronics

Authorized Distributor

Click to View Pricing, Inventory, Delivery & Lifecycle Information:

[TE Connectivity:](#)

[693597-1](#)