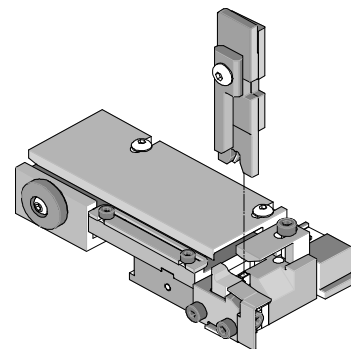




# T2 Terminator Tooling Specification Sheet Order No. 63852-9000



## FEATURES

- It is ideally suited for mid-volume bench operations
- This terminator can be installed in the TM42 and the TM40 press or Base Unit adapter for 3BF press
- Quick punch removal with the push of a button for fast and easy tooling change
- Track adjustment capabilities in the T2 Terminators for improved control of the bell mouth size and cutoff tab length
- T2 Terminator has standardized tooling with the Molex FineAdjust Applicator which will reduce your inventory requirements

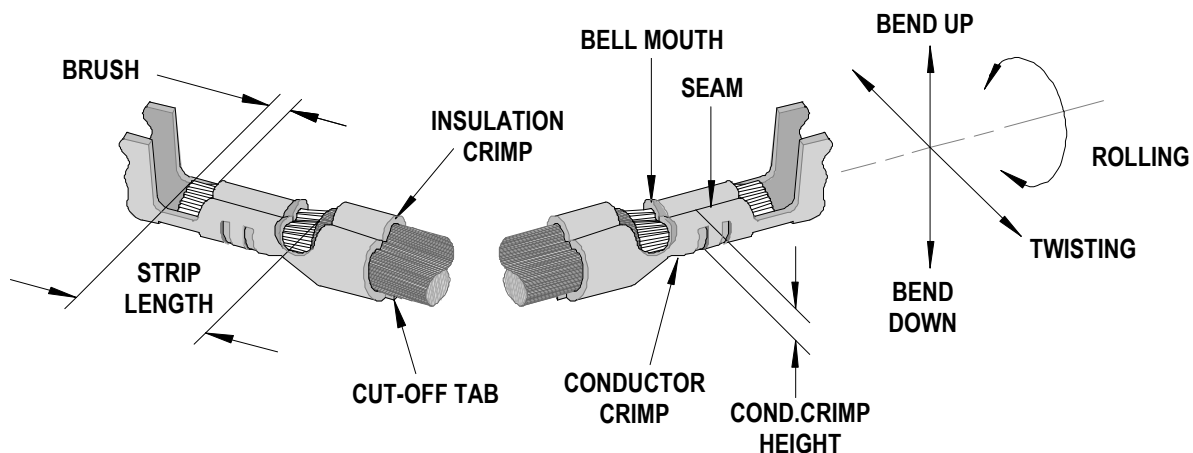
## SCOPE

Products: Male and Female Crimp Terminals, 20-22 AWG.

Terminal Series No.	Terminal Order No.		Wire Size		Insulation Diameter				Strip Length	
					IPC/WHMA-A620 ♦		Terminal Maximum ♦♦			
					AWG	mm <sup>2</sup>	mm	In.	mm	In.
35745	35745-0110		20-22	0.50-0.35	2.36-2.60	.093-.102	2.60	.102	4.00-4.80	.157-.189
35746	35746-0110	35746-0111	20-22	0.50-0.35	2.36-2.60	.093-.102	2.60	.102	4.00-4.80	.157-.189
35747	35747-0110		20-22	0.50-0.35	2.36-2.60	.093-.102	2.60	.102	4.00-4.80	.157-.189
35748	35748-0110	35748-0111	20-22	0.50-0.35	2.36-2.60	.093-.102	2.60	.102	4.00-4.80	.157-.189

♦ To achieve optimum IPC-A620 insulation crimps, use this insulation OD range.  
♦♦ Overall insulation OD specification for terminal.

## DEFINITION OF TERMS



The above terminal drawing is a generic terminal representation. It is not an image of a terminal listed in the scope.

**CRIMP SPECIFICATION**

Terminal Series No.	Bell mouth		Cut-off Tab Maximum		Conductor Brush	
	mm	In.	mm	In.	mm	In.
35745	0.20-0.50	.008-.020	0.30	.012	0.30-0.80	.012-.032
35746	0.20-0.50	.008-.020	0.30	.012	0.30-0.80	.012-.032
35747	0.20-0.50	.008-.020	0.30	.012	0.30-0.80	.012-.032
35748	0.20-0.50	.008-.020	0.30	.012	0.30-0.80	.012-.032

Terminal Series No.	Bend up	Bend down	Twist	Roll	Punch Width (Ref)				Seam
					Conductor		Insulation		
	Degree	Degree	mm	In	mm	In			
35745	3	3	3	5	1.80	.070	3.00	.118	Seam shall not be open and no wire allowed out of the crimping area
35746	3	3	3	5	1.80	.070	3.00	.118	
35747	3	3	3	5	1.80	.070	3.00	.118	
35748	3	3	3	5	1.80	.070	3.00	.118	

After crimping, the conductor profile should measure the following.

Terminal Series No.	Wire Size		Conductor Crimp Height		Pull Force Minimum	
	AWG	mm <sup>2</sup>	mm	In.	N	Lb.
35745	20	0.50	1.30-1.40	.051-.055	58.7	13.2
	22	0.35	1.20-1.30	.047-.051	39.1	8.8
35746	20	0.50	1.30-1.40	.051-.055	58.7	13.2
	22	0.35	1.20-1.30	.047-.051	39.1	8.8
35747	20	0.50	1.30-1.40	.051-.055	58.7	13.2
	22	0.35	1.20-1.30	.047-.051	39.1	8.8
35748	20	0.50	1.30-1.40	.051-.055	58.7	13.2
	22	0.35	1.20-1.30	.047-.051	39.1	8.8

Pull Force should be measured with no influence from the insulation crimp.  
The above specifications are guidelines to an optimum crimp.

**PARTS LIST**

<b>Terminator 63852-9000</b>				
<b>Item</b>	<b>Order No</b>	<b>Engineering No.</b>	<b>Description</b>	<b>Quantity</b>
<b>Perishable Tooling</b>				
	63852-9070	63852-9070	Tool Kit (All "Y" Items)	REF
1	63444-1836	63444-1836	Conductor Punch	1 Y
2	63445-1867	63445-1867	Conductor Anvil	1 Y
3	63446-3028	63446-3028	Insulation Punch	1 Y
4	63445-3033	63445-3033	Insulation Anvil	1 Y
5	63443-0002	63443-0002	Cut-Off Plunger	1 Y
6	63443-0012	63443-0012	Front Plunger Retainer	1 Y
<b>Other Components (REF 529050)</b>				
7	11-18-4083	60707-8	Front Cover	1
8	11-24-1067	4996-4	Cut-off Plunger Spring	1
9	63443-3160	63443-3160	Front Plunger Striker	1
10	63443-0009	63443-0009	Scrape Chute	1
11	63443-0021	63443-0021	Lower Tooling Key	1
12	63443-2415	63443-2415	Anvil Mount	1
13	63443-4006	63443-4006	Wire Stop	1
14	63443-6011	63443-6011	Rear Cover	1
<b>Frame</b>				
15	63800-8500	63800-8500	T2 Terminator	1
<b>Hardware</b>				
16	N/A	N/A	M3 by 6 Long SHCS	2**
17	N/A	N/A	M4 by 6 Long SHCS	1**
18	N/A	N/A	M4 by 10 Long BHCS	2**
19	N/A	N/A	M4 by 20 Long SHCS	1**
20	N/A	N/A	M4 by 50 Long SHCS	1**
21	N/A	N/A	M4 by 16 Long SHCS	1**
22	N/A	N/A	3mm by 6 Long Roll Pin	1**
23	N/A	N/A	#10-32 by 3/8" Long BHCS	1**
** Available from an industrial supply company such as MSC (1-800-645-7270).				

### Assembly Drawing

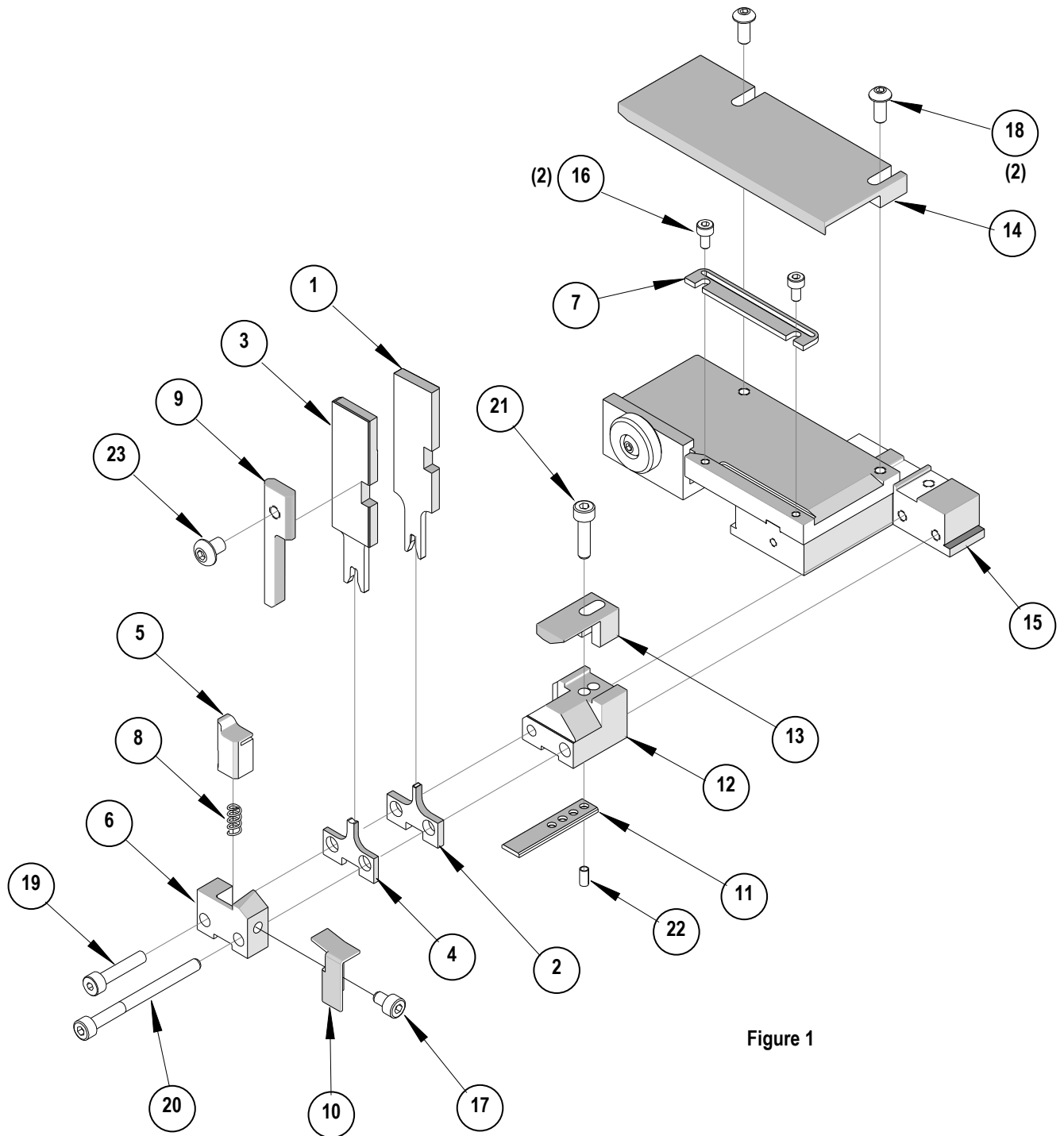


Figure 1

## NOTES

Depending on the press vintage a feed finger assembly is supplied with the T2 Terminator.

1. To remove the existing feed finger assembly loosens the M4 x 10 mm set screw in the feed lever.
2. Select T2 Feed finger assembly from Terminator box.
3. Insert a screwdriver into the slot behind the feed lever and force the feed arm spring to the right.
4. Slide the T2 feed finger shaft for TM42 (11-40-5307) or (11-40-0123) for TM40 /Base Unit into the feed lever and to the left of the feed arm spring.
5. Release the feed arm spring.
6. Position feed finger for selected product. (Refer to Figure 5.1 in the T2 Manual).

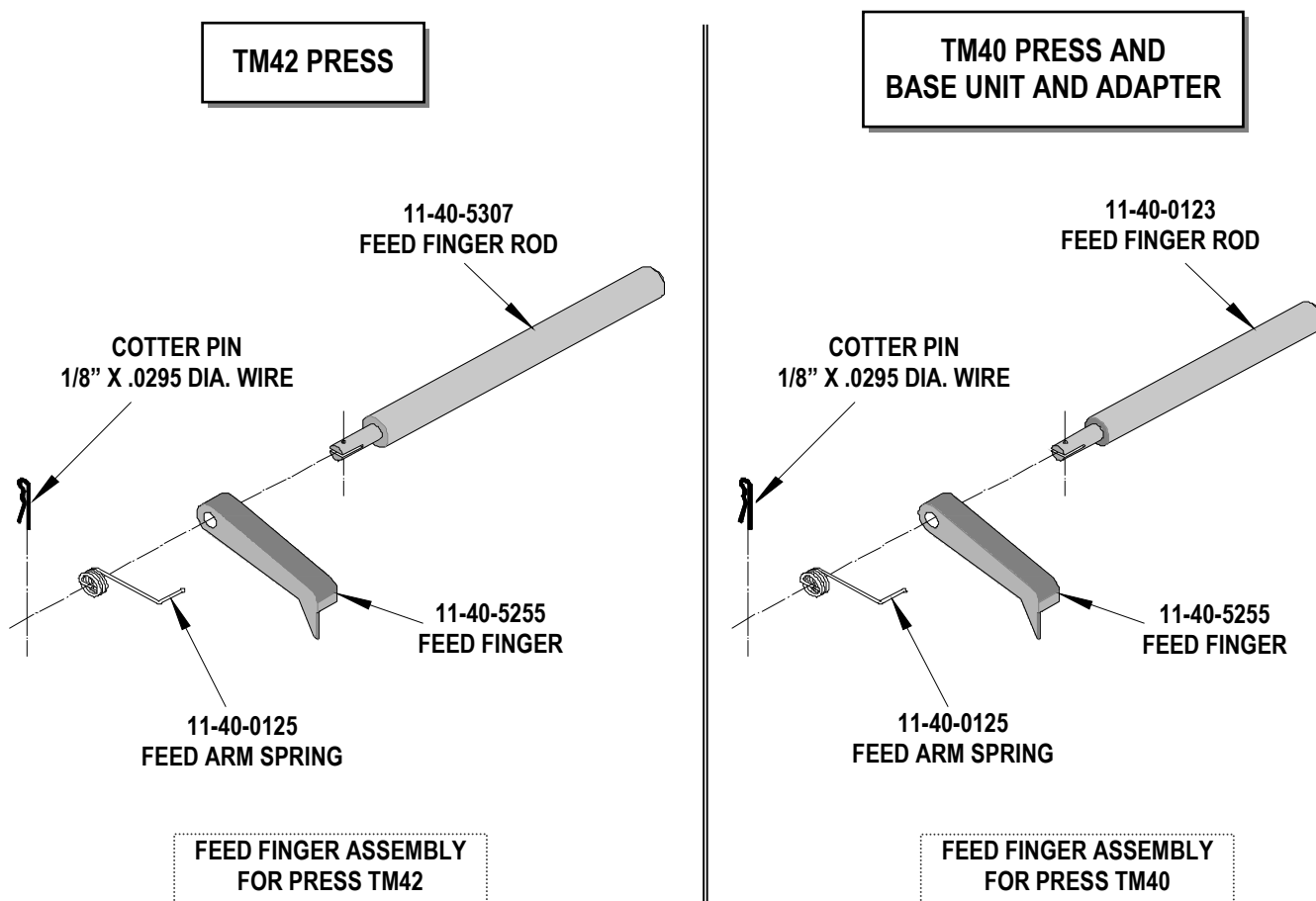


Figure 2

## NOTES

1. Molex recommends an extra perishable tooling kit be maintained at your facility.
2. Verify tooling alignment by manually cycling the press before crimping under power. Check that all screws are tight.
3. Slugs, Terminals, Dirt and Oil should be kept clear of work area.
4. This Terminator should be only used in a Molex TM42, TM40, or 3BF Press with a Base Unit adaptor.
5. Wear safety glasses at all times.
6. For recommended maintenance refer to the TM40, TM42 Manual.

**CAUTION:** To prevent injury never operate this Terminator without the guards supplied with the press in place. Reference the TM42 press manufacturer's instruction manual.

**CAUTION:** Molex crimp specifications are valid only when used with Molex terminals, applicators and tooling.

**Americas Headquarters**  
Lisle, Illinois 60532 U.S.A.  
1-800-78MOLEX  
amerinfo@molex.com

**Far East North Headquarters**  
Yamato, Kanagawa, Japan  
81-462-65-2324  
feninfo@molex.com

**Far East South Headquarters**  
Jurong, Singapore  
65-6-268-6868  
fesinfo@molex.com

**European Headquarters**  
Munich, Germany  
49-89-413092-0  
eurinfo@molex.com

**Corporate Headquarters**  
2222 Wellington Ct.  
Lisle, IL 60532 U.S.A.  
630-969-4550  
Fax: 630-969-1352

Visit our Web site at <http://www.molex.com>

Launch Internet Explorer Browser.Ink

# Mouser Electronics

Authorized Distributor

Click to View Pricing, Inventory, Delivery & Lifecycle Information:

[Molex:](#)

[63852-9070](#)