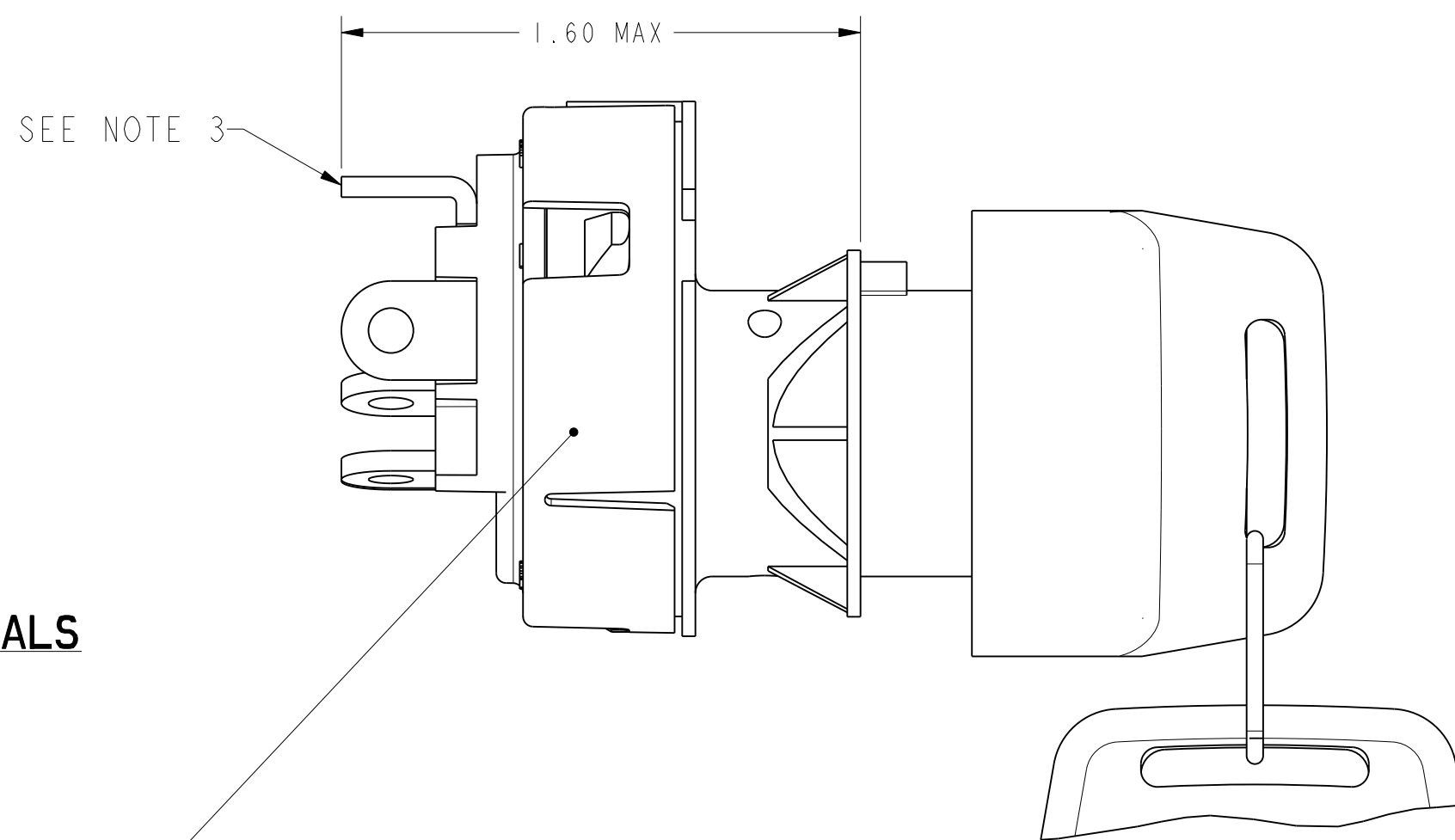
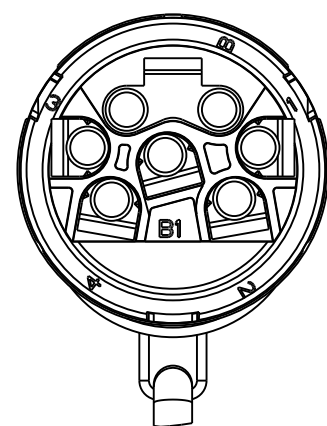
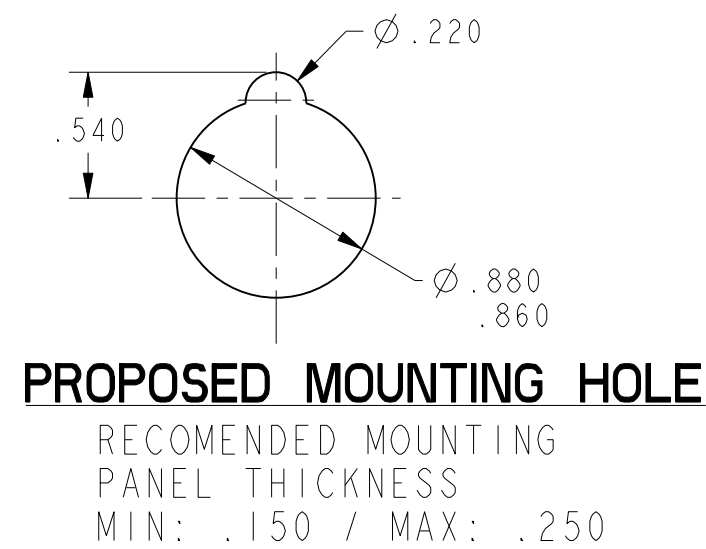
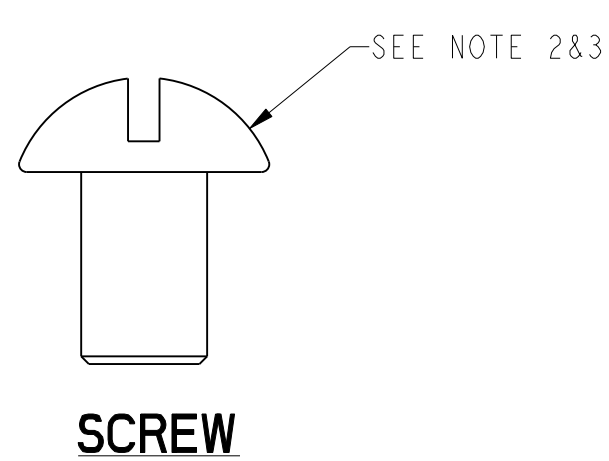
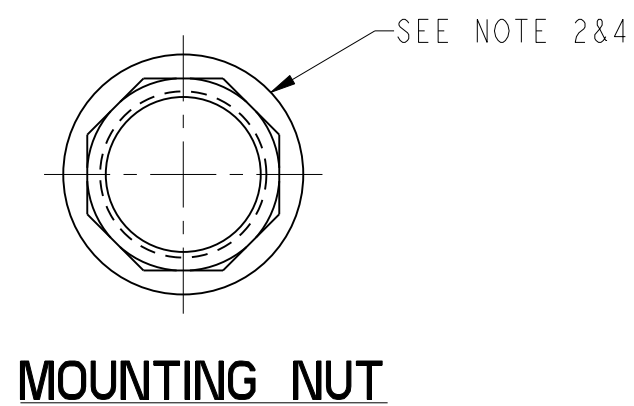


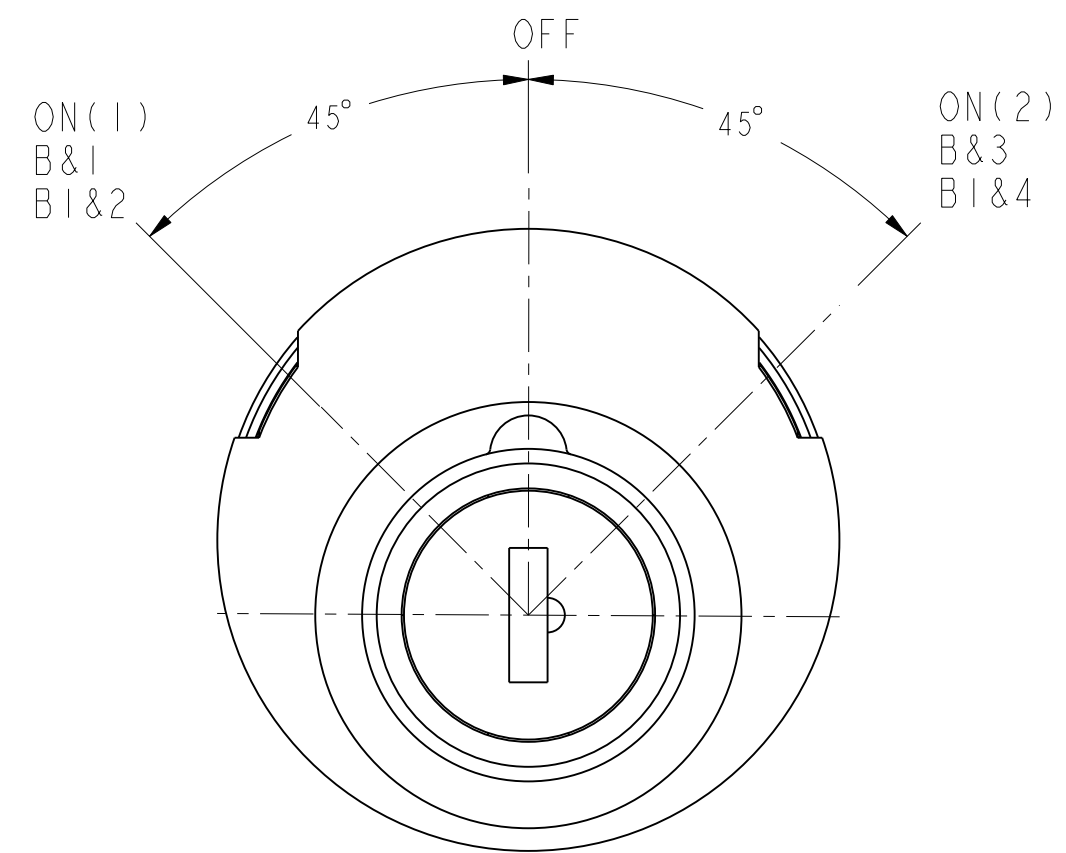
HONEYWELL PART NUMBER
88927

**ELECTRIC MOBILITY
PART NO. 082609**

REV	DOCUMENT	CHANGED BY	CHECK
B	0011039	DVM 07FEB05	AK



LABEL TO BE ADHERED AROUND SWITCH BODY.
TO INCLUDE: DATE CODE, ELECTRIC MOBILITY
PART NO. AND ELECTRICAL RATINGS.



NOTES:

- 1 - ON/OFF/ON
KEY REMOVABLE IN OFF POSITION.
- 2 - NUT & SCREWS ARE NOT INSTALLED, SHIPPED WITH SWITCHES PER
PACK-OP #994400 (QTY: 6 SCREWS, 1 NUT PER SWITCH).
- 3 - TERMINALS TO ACCEPT #8-32X.25 SCREWS;
TORQUE TO 10±1 IN.LBS.
- 4 - TORQUE NUT TO 50 IN.LBS. MAX.

CUSTOMER PRINT

DESIGN UNITS: INCH TOLERANCES UNLESS NOTED:	DRAWN PM 06APR04	Honeywell			
NO PLACE X ± 0.040 ONE PLACE .X ± 0.020 TWO PLACE .XX ± 0.010 THREE PLACE .XXX ± 0.005 FOUR PLACE .XXXX ± 0.0005 ANGLES X ± 2	CHECK AK 07FEB05			THIS DRAWING COVERS A PROPRIETARY ITEM AND IS THE PROPERTY OF HONEYWELL. THIS DRAWING IS NOT TO BE COPIED OR USED WITHOUT THE PERMISSION OF HONEYWELL.	
THIRD ANGLE PROJECTION 	INTERPRET PER ASME Y14.5M-1994 OTHER HONEYWELL ENGINEERING STANDARDS MAY APPLY	TITLE KEY SWITCH ASSEMBLY (6-TERMINAL)			
	Pro/ENGINEER 3D	SIZE C	TYPE I	DRAWING NAME 88927	REV B
		SCALE 2:1		SHEET 1 OF 1	

Mouser Electronics

Authorized Distributor

Click to View Pricing, Inventory, Delivery & Lifecycle Information:

[Honeywell:](#)

[88927-07](#)