

THIS COPY IS PROVIDED ON A RESTRICTED BASIS AND IS NOT TO BE USED IN ANY WAY DETRIMENTAL TO THE INTERESTS OF PANDUIT CORP.

PANDUIT PART #	MILITARY PART # AND CLASS	STUD SIZE		DIMENSIONS in. [mm]				
		AWG	METRIC	L ± .03 [0,8]	W ± .01 [0,3]	C ± .02 [0,5]	M ± .03 [0,8]	H ± .01 [0,3]
PNF18-4R	-----	#4	--	.77 [19,6]	.25 [6,4]	.20 [5,1]	.65 [16,5]	.12 [3,0]
*PNF18-4RN	MS25036-148 CLASS 1 & 2	#4	--	.73 [18,5]	.22 [5,6]	.19 [4,8]	.63 [16,0]	.12 [3,0]
PMNF1-3R	-----	--	M3	.76 [19,3]	.23 [5,8]	.21 [5,3]	.66 [16,8]	.13 [3,3]
PNF18-6R	MS25036-102 CLASS 1 & 2	#6	M3,5	.77 [19,6]	.25 [6,4]	.20 [5,1]	.65 [16,5]	.15 [3,8]
PNF18-6RN	MS25036-101 CLASS 1 & 2	#6	M3,5	.76 [19,3]	.22 [5,6]	.18 [4,6]	.63 [16,0]	.15 [3,8]
PNF18-8R	MS25036-149 CLASS 1 & 2	#8	M4	.87 [22,1]	.31 [7,9]	.24 [6,1]	.72 [18,3]	.17 [4,3]
PNF18-10R	MS25036-103 CLASS 1 & 2	#10	--	.87 [22,1]	.32 [8,1]	.25 [6,4]	.72 [18,3]	.20 [5,1]
PMNF1-5R	-----	--	M5	.86 [21,8]	.35 [8,9]	.25 [6,4]	.69 [17,5]	.21 [5,3]
PNF18-14R	MS25036-150 CLASS 1 & 2	1/4"	M6	1.08 [27,4]	.46 [11,7]	.38 [9,7]	.85 [21,6]	.27 [6,9]
PNF18-56R	MS25036-104 CLASS 1 & 2	5/16"	M8	1.08 [27,4]	.46 [11,7]	.39 [9,9]	.85 [21,6]	.34 [8,7]
PNF18-38R	MS25036-114 CLASS 1 & 2	3/8"	--	1.16 [29,5]	.53 [13,5]	.41 [10,4]	.90 [22,9]	.40 [10,2]

* NOT UL OR CSA CERTIFIED

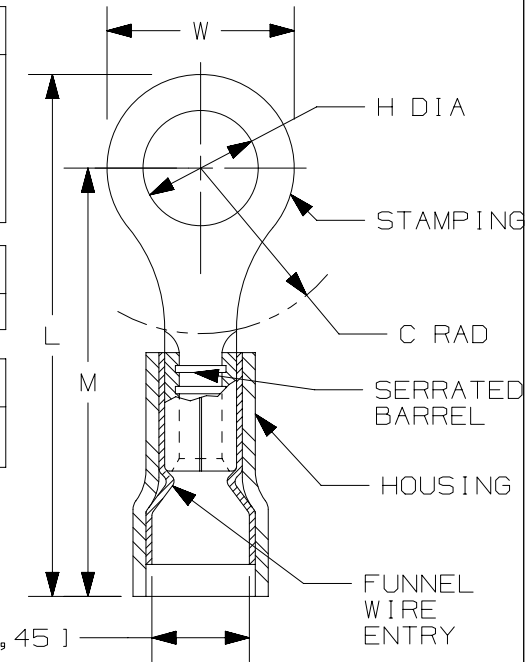
NOTES:

- UL LISTED AND CSA CERTIFIED FOR:
 - #22-18 AWG [0,5-1,0 mm²] SOLID OR STRANDED COPPER WIRE
 - 221°F [105°C] MAX. OPERATING TEMPERATURE
 - 600 V. MAX. VOLTAGE RATING
1000 V. IN SIGNS, FIXTURES & LUMINARIES
- MATERIAL:
 - STAMPING: .03" [0,8mm] THK COPPER, TIN PLATED
 - HOUSING: NYLON, RED
 - SLEEVE: BRASS, TIN PLATED
- SEE www.panduit.com FOR PACKAGE QUANTITIES
- DIMENSIONS IN BRACKETS ARE METRIC EQUIVALENT
- WIRE STRIP LENGTH: 7/32" ^{+1/32}₋₀ [5,6mm ^{+0,8}₋₀]

UL & CSA TOOLS (DIES)
CT-100A CT-600-A (CT-500CH) CT-600-A (CT-550CH) CT-1550 CT-1551 CT-2500 (CT-2550CH)

MILITARY CLASS 2 TOOL
CT-400

PANDUIT APPROVED TOOLS
CT-160 CT-260



.136 [3,45]
MAX. WIRE
INSUL. DIA.

.070 [1,78]
MIN. WIRE
INSUL. DIA.



TITLE		RING TERMINALS, 3 PC. NYLON INSULATED, #22-18 AWG, FUNNEL ENTRY (PNF18)			CUSTOMER DRAWING	
ITEM REVISION NAME		N41275BA/13			PANDUIT	
DATASET FILE NAME		N41275BA_DC/13				
UNLESS OTHERWISE SPECIFIED, DIMENSIONAL TOLERANCES ARE: IN (mm)		MATERIAL: SEE NOTES			DRAWING NUMBER: A41275	
.X ± .XX ±		.XXX ± ANGLES ±			THIRD ANGLE PROJECTION	
DRAWN BY	DATE	CHK	SCALE	STZE		
DAW	-	LM	N.T.S.	SHT 1 OF 1		A

REV	DATE	BY	CHK	APR	DESCRIPTION	ECN
13	01/18	TMR	TMR	RGB	AGENCY CERTIFICATION AND TABLE FORMAT UPDATED	N41275BA-A41275

D10100DA/15