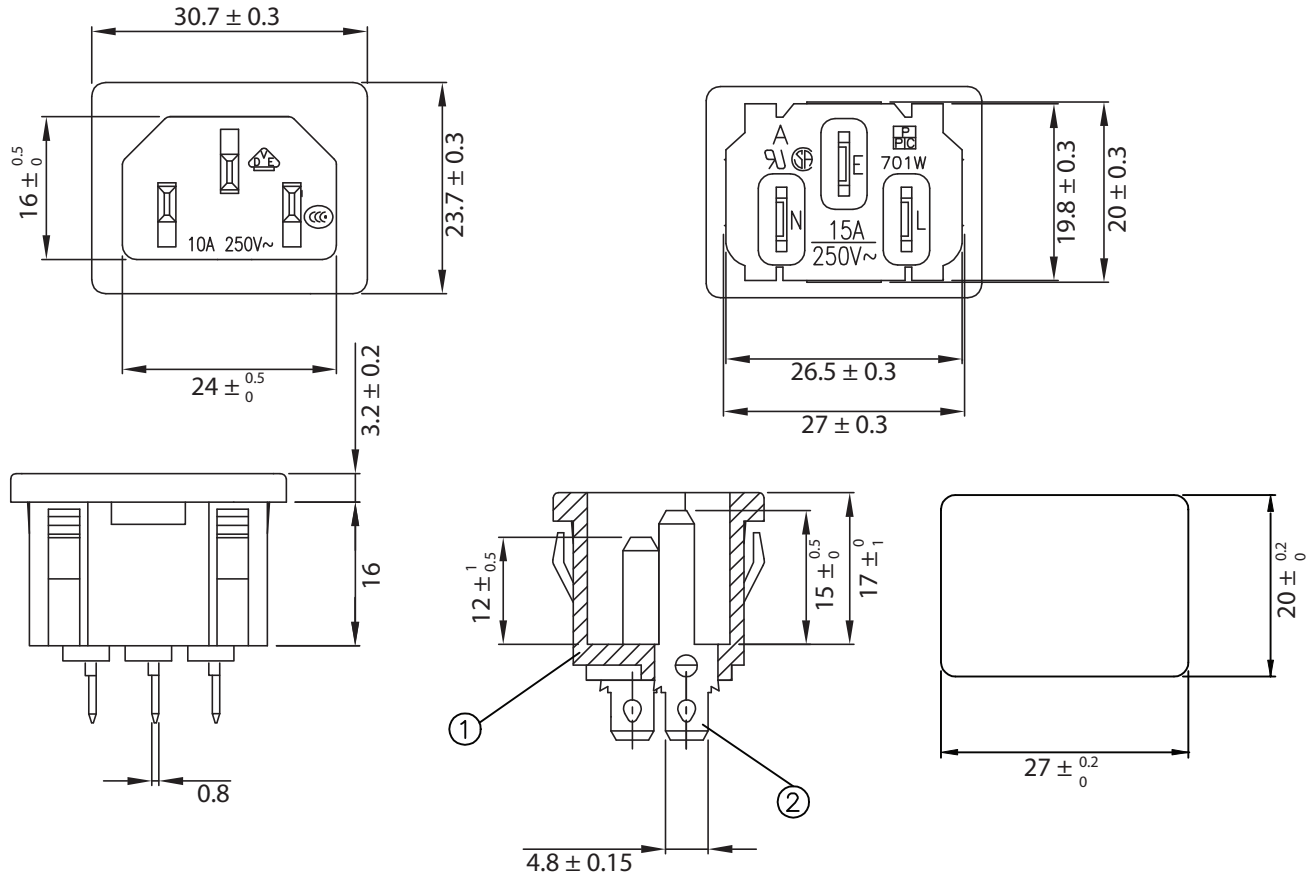


THESE DRAWINGS ARE THE PROPERTY OF QUALTEK ELECTRONICS AND NOT TO BE REPRODUCED FOR OR COMMUNICATED TO A THIRD PARTY WITHOUT THE EXPRESS WRITTEN PERMISSION OF AN OFFICER OF QUALTEK ELECTRONICS.

REVISION			
REV.	DESCRIPTION	DATE	APPROVED
B	RoHS Compliancy	06-01-06	DP
C	Updated Dimensions	06-30-08	DP
D	Updated Panel Thickness, Cutout, and Approvals	03-03-16	LY



**CONTROLLED**

NOTES:

RATING:

UL, CSA: 15A 250V AC  
 VDE, CCC: 10A 250V AC  
 INSULATION RESISTANCE: OVER 100M OHM 500V DC  
 DIELECTRIC RESISTANCE: 2000V AC ONE MINUTE  
 PANEL THICKNESS: 0.8mm ~ 1.5mm  
 APPROVALS: UL, CSA, VDE, CCC  
 RoHS COMPLIANT

2	Contact Pin Brass Strip Tin-Plated	3		
1	Body Insulator Nylon Black Color	1		
		<b>Qualtek Electronics Corp.</b> <b>PPC DIVISION</b>		
Dim range (mm)	Tolerance +/- (mm)	Part Number: <b>701W-X2/03</b> <span style="border: 1px solid green; padding: 2px;">RoHS Compliant</span>		
0-1	0.15	Description: <b>AC RECEPTACLE</b>		
1-6	0.20			
6-18	0.30	UNIT: mm <span style="float: right;">REV. D</span>		
18-50	0.50			
50-120	0.70	Drawn / Date	Checked / Date	Approved / Date
120-250	0.90	B.Zhang	05-24-05	JJH / 05-24-05
250-500	1.20	05-24-05		

# Mouser Electronics

Authorized Distributor

Click to View Pricing, Inventory, Delivery & Lifecycle Information:

[Qualtek:](#)

[701W-X2/03](#)