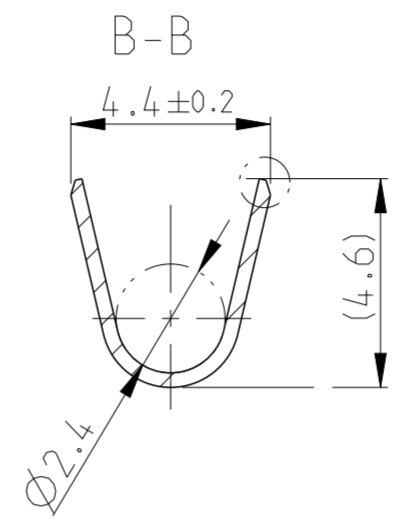
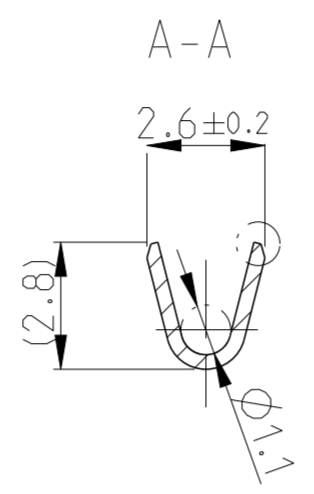
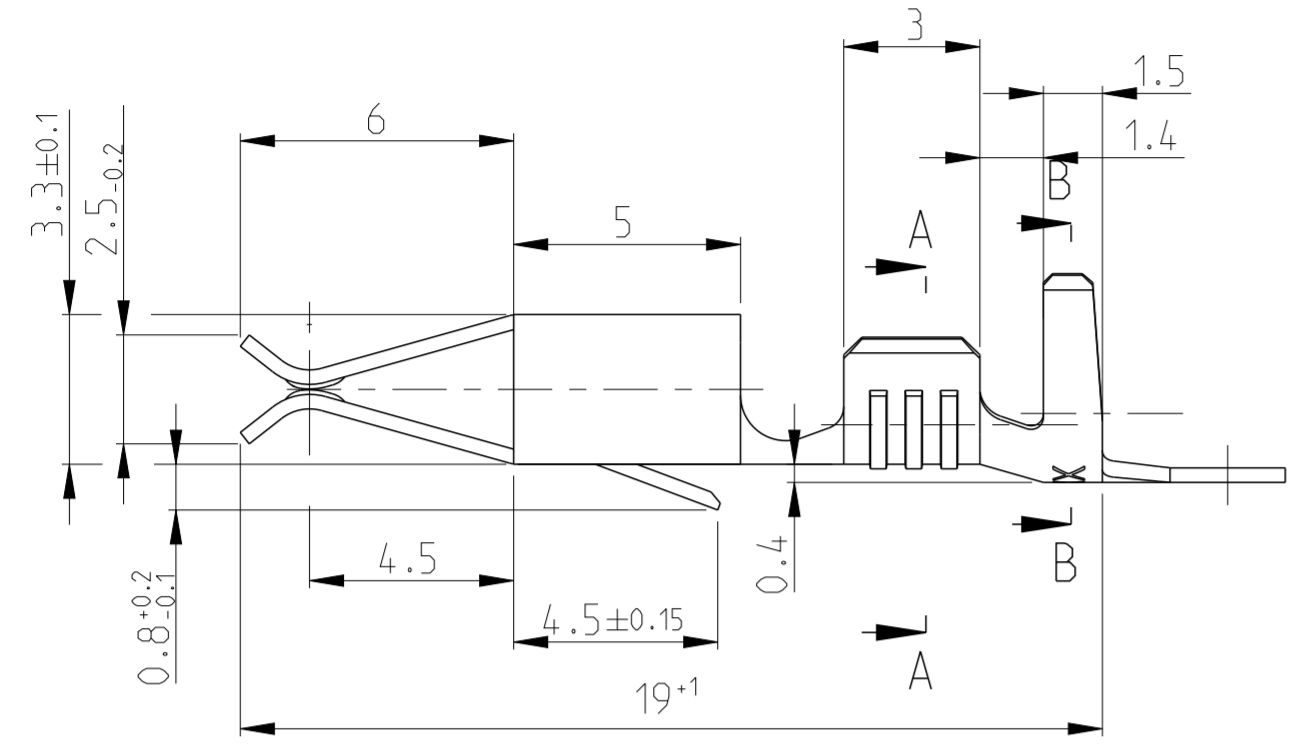
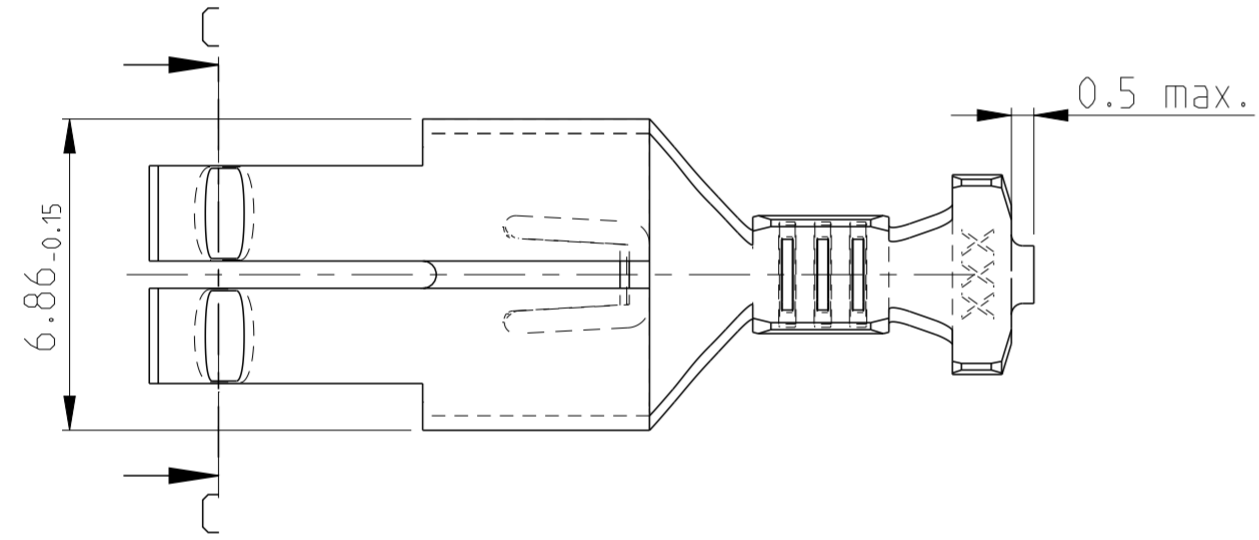


THIS DRAWING IS UNPUBLISHED. RELEASED FOR PUBLICATION 20
 © COPYRIGHT 20 BY - ALL RIGHTS RESERVED.

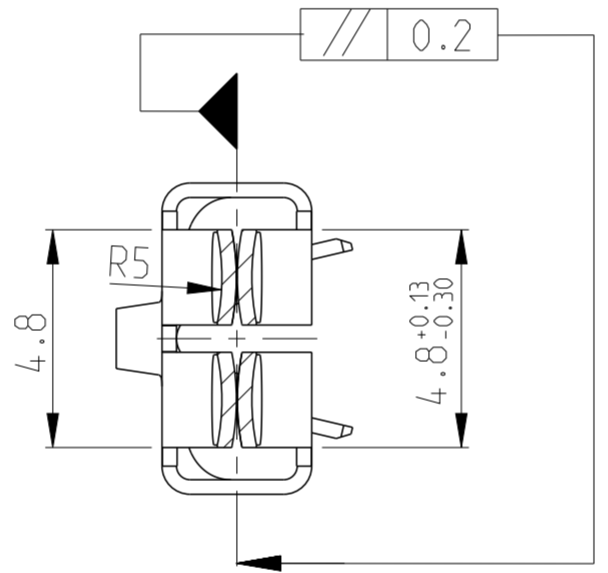
REVISIONS					
P	LTR	DESCRIPTION	DATE	DWN	APVD
	D2	ECR-14-007191	08JUL2014	SK	JS



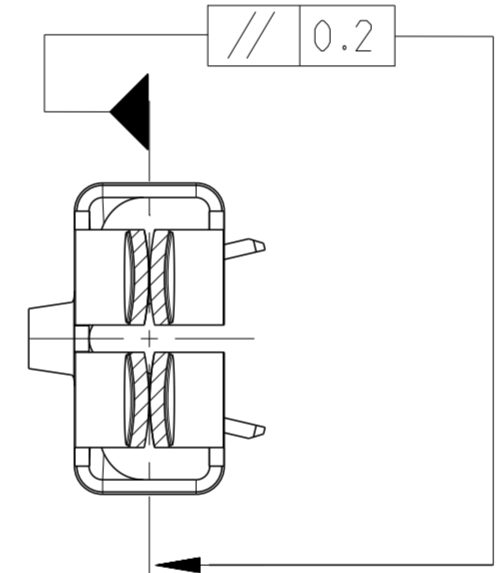
Note
 △ OBSOLETE



Version 1

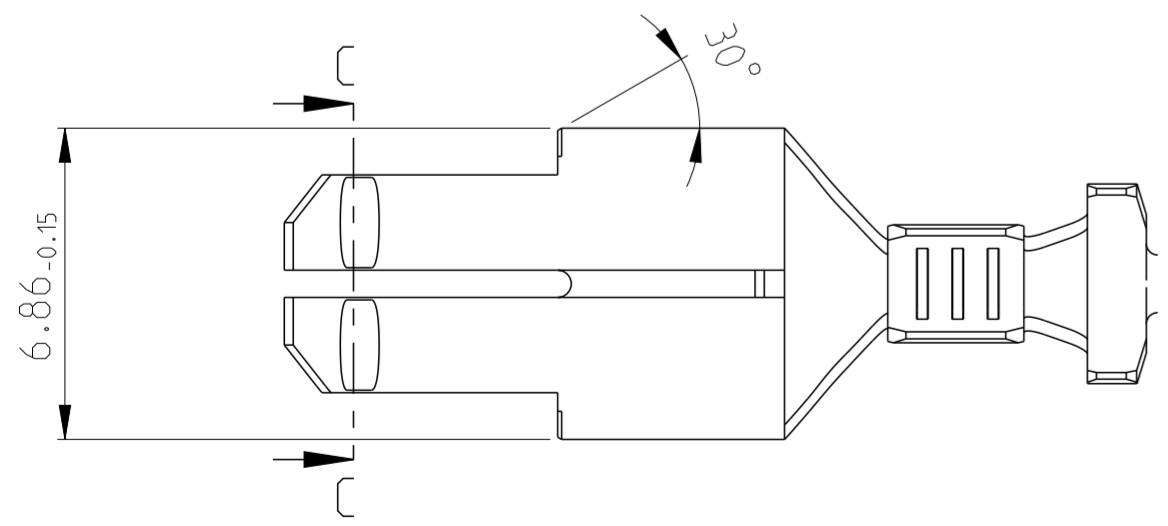


Version 1



Version 2

Leitungsquerschnitt in mm ²										
Cross-section in mm ²										
Single connection	Einzelanschl.	0.5	0.75	1.0	1.5	2.0	2.5	3.0	4.0	6.0
0.5	X	X	-	-	-	-	-	-	-	-
0.75	X	-	-	-	-	-	-	-	-	-
1.0	X	-	-	-	-	-	-	-	-	-
1.5	-	-	-	-	-	-	-	-	-	-
2	-	-	-	-	-	-	-	-	-	-
2.5	-	-	-	-	-	-	-	-	-	-
3.0	-	-	-	-	-	-	-	-	-	-
4.0	-	-	-	-	-	-	-	-	-	-
6.0	-	-	-	-	-	-	-	-	-	-



Version 2

Drahtroassenbereich: 0.5-1.0mm²
 WIRE RANGE:

1-927866-4	1-927865-4	927866-4	927865-4	A	Brass	Plain\Blank
1-927866-3	1-927865-3	△ 927866-3	△ 927865-3	D	CuFe2	vorverzinnt
1-927866-2	1-927865-2	△ 927866-2	927865-2	D	CuSn4	vorverzinnt
1-927866-1	1-927865-1	927866-1	927865-1	D	CuZn30	vorverzinnt
LOOSE PIECE VERSION 2	PART NUMBER VERSION 2	LOOSE PIECE VERSION 1	PART NUMBER VERSION 1	REV.	MATERIAL	Surface/Finish

THIS DRAWING IS A CONTROLLED DOCUMENT.

DIMENSIONS: mm	TOLERANCES UNLESS OTHERWISE SPECIFIED:	DWN Hassel.S. 07AUG2003	CHK Brunner.M. 07AUG2003	APVD Bleicher.M. 12AUG2003	NAME
MATERIAL TBD	0 PLC ±0.5 1 PLC ±0.5 2 PLC ±0.5 3 PLC ±0.5 4 PLC ANGLES ±0.0001 FINISH	108-18054	114-18080	108-18054	STANDARD TIMER CONTACT Standard-Timer Kontakt
		Customer Drawing	SCALE 6:1	SHEET 1 OF 1	REV 02

STE TE Connectivity

Mouser Electronics

Authorized Distributor

Click to View Pricing, Inventory, Delivery & Lifecycle Information:

[TE Connectivity:](#)

[927865-2](#)