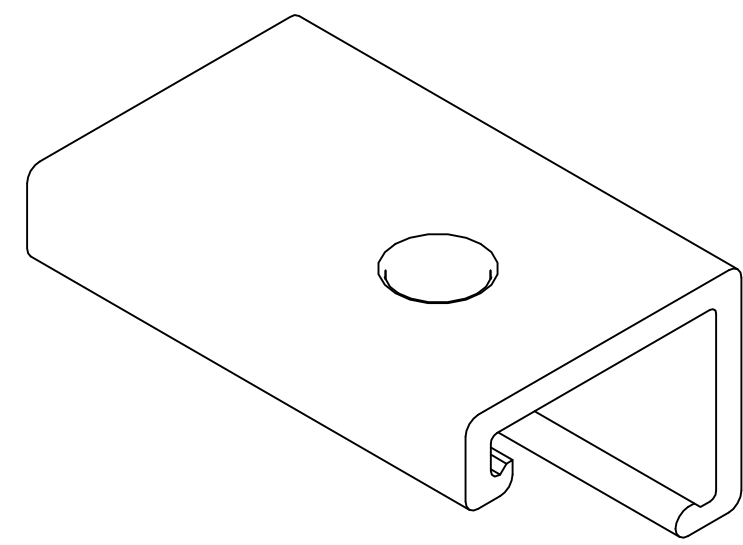
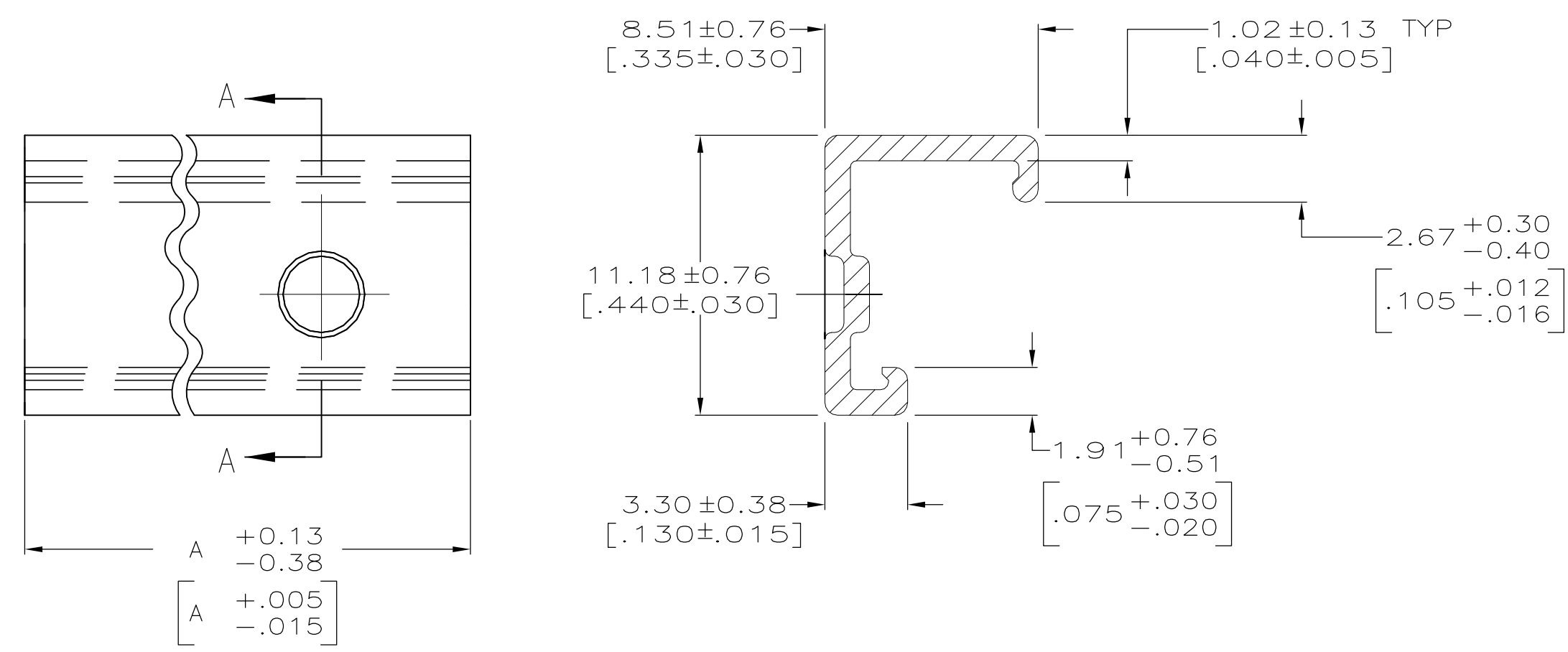


THIS DRAWING IS UNPUBLISHED. RELEASED FOR PUBLICATION
 © COPYRIGHT - By - ALL RIGHTS RESERVED.

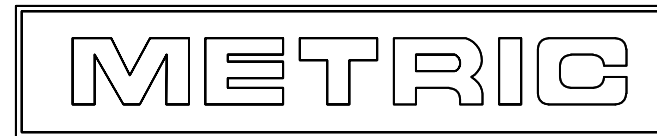
| LOC | DIST | REVISIONS | | | |
|-----|------|-------------|---------------------------|---------|-------|
| P | LTR | DESCRIPTION | DATE | OWN | APVD |
| CM | 54 | L2 | REVISED PER ECO-11-016260 | 11AUG11 | JR SM |

1. DIMENSIONS IN BRACKETS ARE IN INCHES.



3-DIMENSIONAL MODEL NTS

| | | | | |
|--|--------------|-------|---------|------------|
| 24 | CIRCUIT ASSY | 95.10 | [3.744] | 2-640551-4 |
| 23 | CIRCUIT ASSY | 91.14 | [3.588] | 2-640551-3 |
| 22 | CIRCUIT ASSY | 87.17 | [3.432] | 2-640551-2 |
| 21 | CIRCUIT ASSY | 83.21 | [3.276] | 2-640551-1 |
| 20 | CIRCUIT ASSY | 79.25 | [3.120] | 2-640551-0 |
| 19 | CIRCUIT ASSY | 75.29 | [2.964] | 1-640551-9 |
| 18 | CIRCUIT ASSY | 71.32 | [2.808] | 1-640551-8 |
| 17 | CIRCUIT ASSY | 67.36 | [2.652] | 1-640551-7 |
| 16 | CIRCUIT ASSY | 63.40 | [2.496] | 1-640551-6 |
| 15 | CIRCUIT ASSY | 59.44 | [2.340] | 1-640551-5 |
| 14 | CIRCUIT ASSY | 55.47 | [2.184] | 1-640551-4 |
| 13 | CIRCUIT ASSY | 51.51 | [2.028] | 1-640551-3 |
| 12 | CIRCUIT ASSY | 47.55 | [1.872] | 1-640551-2 |
| 11 | CIRCUIT ASSY | 43.59 | [1.716] | 1-640551-1 |
| 10 | CIRCUIT ASSY | 39.62 | [1.560] | 1-640551-0 |
| 9 | CIRCUIT ASSY | 35.66 | [1.404] | 640551-9 |
| 8 | CIRCUIT ASSY | 31.70 | [1.248] | 640551-8 |
| 7 | CIRCUIT ASSY | 27.74 | [1.092] | 640551-7 |
| 6 | CIRCUIT ASSY | 23.77 | [.936] | 640551-6 |
| 5 | CIRCUIT ASSY | 19.81 | [.780] | 640551-5 |
| 4 | CIRCUIT ASSY | 15.85 | [.624] | 640551-4 |
| 3 | CIRCUIT ASSY | 11.89 | [.468] | 640551-3 |
| 2 | CIRCUIT ASSY | 7.92 | [.312] | 640551-2 |
| USED ON MTA 156 CONNECTOR ASSEMBLY AS LISTED | | A | | PART NO |



| | | | | | |
|--|--|--|--------|---|----------------------------|
| THIS DRAWING IS A CONTROLLED DOCUMENT. | | DWN | T BECK | 4-9-91 | STE TE Connectivity |
| | | CHK | - | 4-9-91 | |
| DIMENSIONS: MM [INCHES] | | TOLERANCES UNLESS OTHERWISE SPECIFIED: | | APVD | 4-10-91 |
| 0 PLC ± - | | 1 PLC ± - | | NAME | |
| 2 PLC ± - | | 3 PLC ± - | | COVER, MTA 156 | |
| 4 PLC ± - | | ANGLES ± ± - | | PRODUCT SPEC | |
| MATERIAL | | FINISH | | APPLICATION SPEC | |
| POLYESTER, UL 94V-0 NATURAL | | - | | - | |
| | | WEIGHT | | - | |
| | | CUSTOMER DRAWING | | SIZE CAGE CODE DRAWING NO RESTRICTED TO | |
| | | SCALE 5:1 | | A2 00779 C-640551 | |
| | | SHEET 1 OF 1 | | REV L2 | |

Mouser Electronics

Authorized Distributor

Click to View Pricing, Inventory, Delivery & Lifecycle Information:

[TE Connectivity:](#)

[640551-5](#)