

PART NO.	ENG. NO.
18-12-1222	2047-(KP90)DL
18-12-1221	2047-(KP90)I

LEGEND

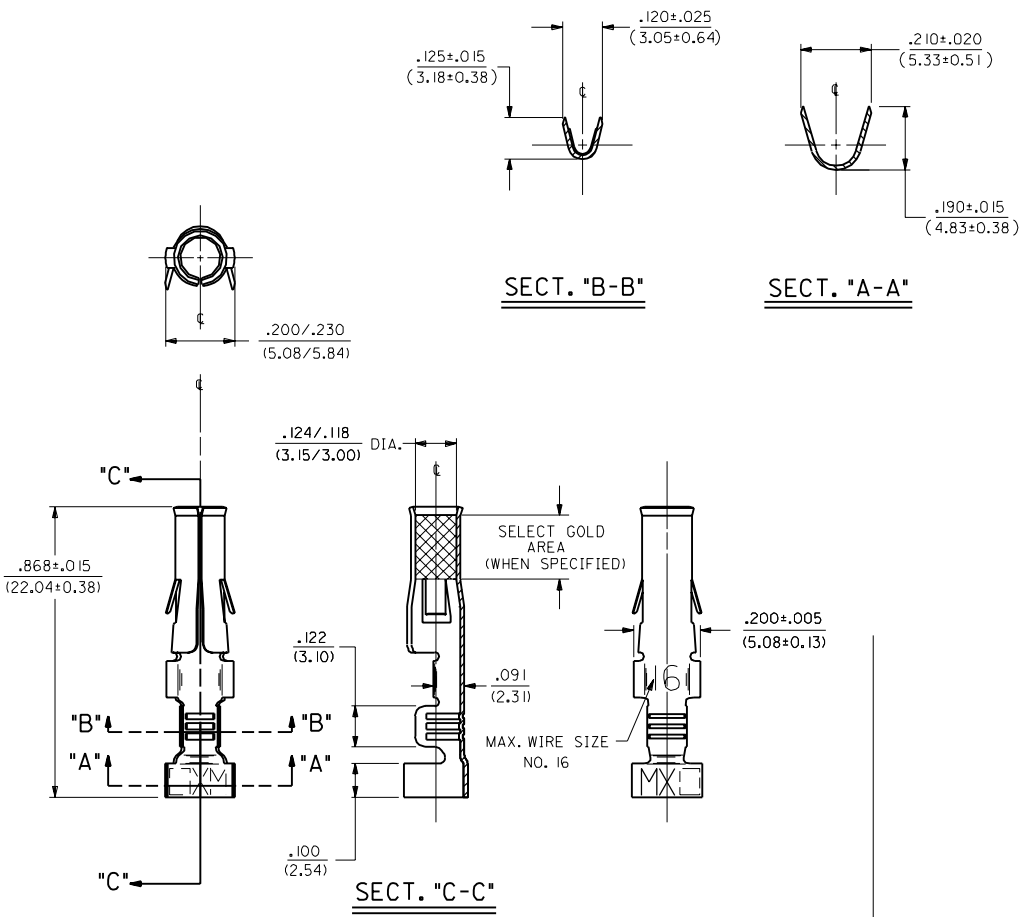
2047-I(****)*

VERSION
 .120/(3.05) MAX. DIA. INSULATION
 P=PREPLATE
 BLANK=POSTPLATE
 FINISH CODE

FORM
 BLANK=CHAIN
 L=LOOSE

- NOTES:
1. TERMINAL FOR USE WITH .125/(3.17) SERIES HOUSINGS AND WILL ACCEPT 16 THRU 18 AWG WIRE HAVING A .120/(3.05) MAX. DIAMETER INSULATION.
 2. INSERTION FORCE: 6.0 LBS. MAX. WHEN TERMINAL IS INSERTED INTO .125/(3.17) DIA. CORE HOLE.
 3. PULL OUT FORCE: 30 LBS. MIN. RETENTION IN HOUSING .

FINISH CODES:
 901 HOT TIN DIP .000020/(0.0005) MIN.



MATERIAL NOTES:
 1. CARTRIDGE BRASS, ALLOY #C26000;
 .013/(0.33) THICK, SPRING TEMPER

	REV.	DATE	BY	CHKD.	APP'D.
EI	1	03/19/95	KC		
E	2	02/23/90			
D	3	11/28/89			
C	4	10/4/88			

DIMENSIONS SHOWN (METRIC) INCH		UNLESS OTHERWISE SPECIFIED TOLERANCES: ANGULAR ± .0010		REVISE ONLY ON CAD SYSTEM	
3 PLACE	± .010	METRIC	---	TITLE	
2 PLACE	± .014	---	± 0.25	CRIMP TERMINAL, FEMALE, .125/(3.17) DIA 16-18 AWG .120/(3.05) DIA. INSUL.	
1 PLACE	---	---	± 0.35	MOLEX INCORPORATED	
DRAFT WHERE APPLICABLE MUST REMAIN WITHIN DIMENSIONS		MOLEX INC. U.S.A.		SHEET NO. DATE	
DRWG. NO. SD-2047-1		L15LEJLL 60532		1 OF 1 10 / 4 / 88	
DRWG. BY	KBW	CHKD. BY	RW	PART NO.	
APP'D. BY	RAS	SCALE	4 : 1	SEE CHART	
FILE NAME		S2047.IX1		DRWG. NO.	
U.S.A.		MOLEX INC.		NO. 1 P.S.	